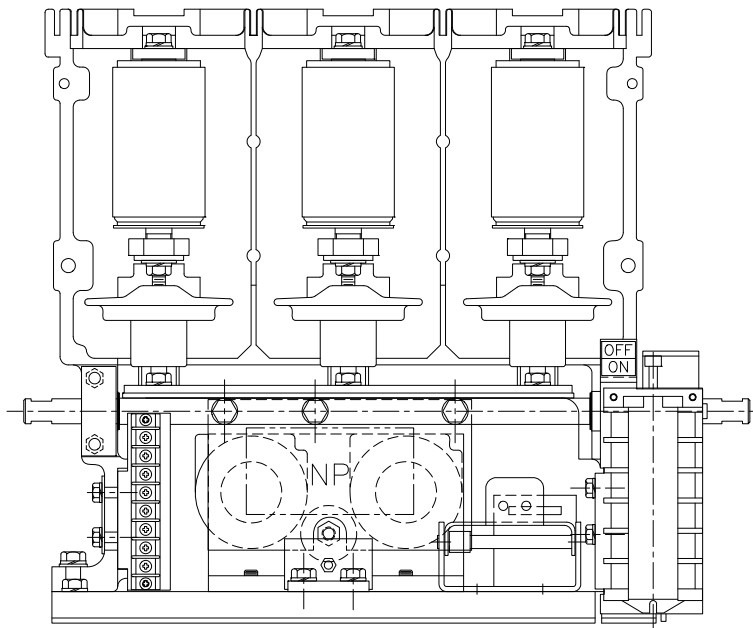


INSTRUCTION MANUAL

INSTALLATION - OPERATION - MAINTENANCE



HCV-5HA 7.2kV, 400A-7.0kA (4.5kA@7.2kV)
HCV-5HAL 7.2kV, 400A-7.0kA (4.5kA@7.2kV)

Manufactured in the USA

MAY 2008

MAY 2008

Phone: 800.894.0412 - Fax: 888.723.4773 - Web: www.ctiautomation.net - Email: info@ctiautomation.net

READ THIS MANUAL carefully for important information about safety, handling, and maintenance, for general-purpose NEMA Class E magnetic controllers.

This manual and all accompanying drawings should be considered a permanent part of the equipment. They should be readily available for review and reference at all times.

DIMENSIONS shown in the manual are in metric and/or their English equivalent.

These instructions are not intended to cover all details, combinations, or variations of the equipment, storage, or installation.

▲ WARNING

Use only Toshiba-authorized replacement parts.

▲ WARNING

This equipment is designed and built in accordance with applicable safety standards in effect on the date of manufacture. Unauthorized modifications can result in severe injury, death and property damage. Do not make any modifications to this equipment without the written approval of Toshiba.

	Page		Page
SAFETY DATA	4	MAINTENANCE	17
Safety Data Information	4	General Inspection	17
		Vacuum Interrupter	18
		Bearing	19
GENERAL	6	Closing Coils	19
Recommended Procedure	6	Latch Mechanism	19
		Auxiliary Switch	19
RECEIVING & HANDLING	7	VACUUM INTERRUPTER	20
Receiving	7	Replacement Procedure	20
Handling	7	Removing	20
Storage	7	Mounting	21
		Adjustment of Contacts	21
		Operation Check	21
GENERAL DESCRIPTION	8		
Application	8	TROUBLESHOOTING	22
Load Data	8		
Location Condition	8		
Ratings	9	OUTLINE DIAGRAM	23
Construction	10		
		WARRANTY AND LIMITATION OF LIABILITY	24
PRE-OPERATION SET-UP	11		
Application Precautions	11		
Installation	11		
Controls	12		
Power Connections-Standard	13		
Power Connections-Latched	13		
Drive Unit Configuration	14		
Standard Circuit Diagram	14		
Latched Circuit Diagrams	15		
Trial Operation	16		

QUALIFIED OPERATORS ONLY

Only qualified persons are to install, operate, or service this equipment according to all applicable codes and established safety practices.

A qualified person must:

- 1) Carefully read the entire instruction manual.
- 2) Be skilled in the installation, construction or operation of the equipment and aware of the hazards involved.
- 3) Be trained and authorized to safely energize, de-energize, clear, ground, lockout and tag circuits in accordance with established safety practice.
- 4) Be trained and authorized to perform the service, maintenance or repair of this equipment.
- 5) Be trained in the proper care and use of protective equipment such as rubber gloves, hard hat, safety glasses, face shield, flash clothing, etc. in accordance with established practices.
- 6) Be trained in rendering first aid.

SAFETY CODES

Toshiba medium voltage controllers are general purpose, Class E, magnetic controllers designed and built in accordance with the latest applicable provisions of NEMA ICS 3 Part 2, UL 347 and the National Electrical Code. Installations must comply with all applicable state and local codes, adhere to all applicable National Electric Code (NFPA 70) standards and instructions provided in this manual.

IMPORTANT MESSAGES

Read this manual and follow its instructions. Signal words such as **DANGER**, **WARNING**, **CAUTION**, and **NOTE** will be followed by important safety information that must be carefully reviewed.

▲ DANGER

Indicates a situation which will result in death, serious injury, and severe property damage if you do not follow instructions.

▲ WARNING

Means that you might be seriously injured or killed if you do not follow instructions. Severe property damage might also occur.

▲ CAUTION

Means that you might be injured if you do not follow instructions. Equipment damage might also occur.

NOTE Gives you helpful information.

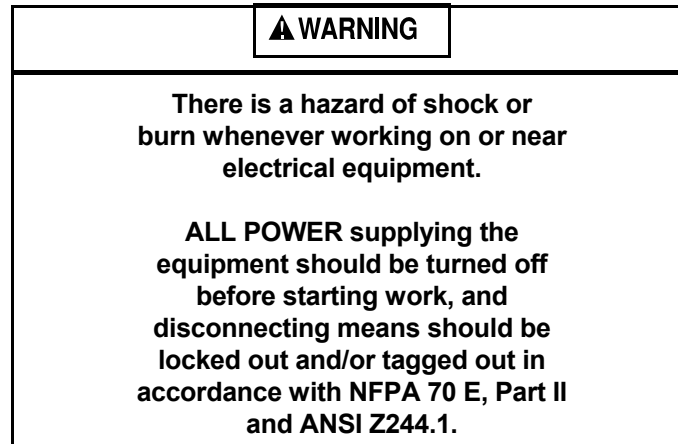
READ SAFETY SIGNS

To avoid injury, you must read and follow the instructions in this manual and on the safety signs located on the equipment.

Keep the safety signs visible and in good shape.
Never remove, damage, or cover any safety sign.

Please read this manual and all accompanying documentation in its entirety prior to installation and operation. These instructions are not intended to cover all details, combinations or variations of the equipment, storage or installation.

Toshiba medium voltage open vacuum type magnetic motor controllers are UL recognized and built in accordance with the latest applicable provisions of NEMA ICS 3 Part 2, UL 347 and the National Electrical Code.



Where it is not feasible to de-energize the unit, the following precautions should be taken;

- A. Persons working near exposed parts that are or may be energized should be instructed to and should use practices (including appropriate apparel, equipment and tools) in accordance with NFPA 70 E, Part II.
- B. Persons working on exposed parts that are or may be energized should, in addition to A, be qualified persons who have been trained to work on energized equipment.

RECOMMENDED PROCEDURE

The successful and safe operation of medium voltage control equipment is dependent upon handling, installation, operation and maintenance by qualified personnel. Failure to follow fundamental installation and maintenance recommendations could lead to personal injury and damage to the equipment and other property. When referred to in this manual and on product labels, a qualified person is one who is familiar with installation, construction or operation of the equipment and the hazards involved. In addition, this person should have the following qualifications;

- 1) Is trained and authorized to energize, de-energize, clear, ground and tag circuits in accordance with established safety practices.
- 2) Is trained in the proper care and use of protective equipment such as rubber gloves, hard hat, safety glasses or face shields, flash clothing, etc. in accordance with established practices.
- 3) Is trained in rendering first aid.

KEEP THESE INSTRUCTIONS FOR FUTURE REFERENCE

RECEIVING

Upon receipt of the equipment, make an immediate inspection for any damages which may have occurred during shipment. When the contactor is received it should be unpacked sufficiently to inspect for concealed damage and to determine that the shipment is complete and correct. If any damage is found it should be noted prior to accepting the shipment if possible.

Check for things such as, damage to the container, water seepage or moisture on the contactor. Check the nameplate to confirm that the ratings meet the intended application.

If any parts are damaged or missing, file a claim immediately with the carrier and notify the Toshiba sales office. Try to give as much information as possible when filing a claim.

HANDLING & STORAGE

Vacuum contactors should be handled with care to avoid damage. Contactors should be kept in an upright position and moved with suitable equipment.

If the contactor is to be stored over any length of time, the packing material should be restored for protection during that period. Where conditions permit, the packing should be left intact until the contactor is ready for installation. Store the contactor in a dry and dust free area. It should not be left outdoors or in adverse conditions. If unprotected, corrosion, rust and insulation deterioration will occur.

SERVICE CONDITIONS

Application Condition

The type HCV vacuum contactor is manufactured in accordance with IEC 60470 (1974), NEMA ICS 3 Part 2 (1993). The vacuum contactor should be used in the following conditions.

**Table 1
Normal Service Conditions**

- Altitude:	Less than 2,000 m (6600 ft)
-Ambient temperature:	Above 2,000 m consult factory -5°C min. to +40°C max. Its average over a period of 24 hr does not exceed +35°C.
-Relative humidity:	45% min. to 85% max.
-Vibration:	20 Hz - 1G or less
-Shock	30G
-Weight	43 lbs. Latched type 44 lbs.

If the contactor is to be used in conditions other than those specified above, please consult Toshiba International Corporation.

**Table 2
General Application and Load Data**

System Voltage	0.8PF Ind/Syn Motor	1.0PF Syn Motor	3 Phase Transformer	3 Phase Capacitor
2.2-2.5kV	1750HP	2000HP	1500kVA	1500kVAR
3.0-3.3kV	2250HP	2500HP	2000kVA	2000kVAR
4.0-5.0kV	3000HP	3500HP	3000kVA	2000kVAR
6.0-6.6kV	4500HP	5000HP	4000kVA	2000kVAR

The above table is based on general load data and standard application. Lower limitations may apply on specific applications (i.e. applications above 6600 feet elevations).

Location condition

The location where the contactor is to be installed should be free from dust, corrosive gas and moisture. When it is to be used in a chemical plant or in outdoor applications, take necessary precautions against corrosion, water seepage and condensation.

CONTACTOR RATINGS

HCV-5HA

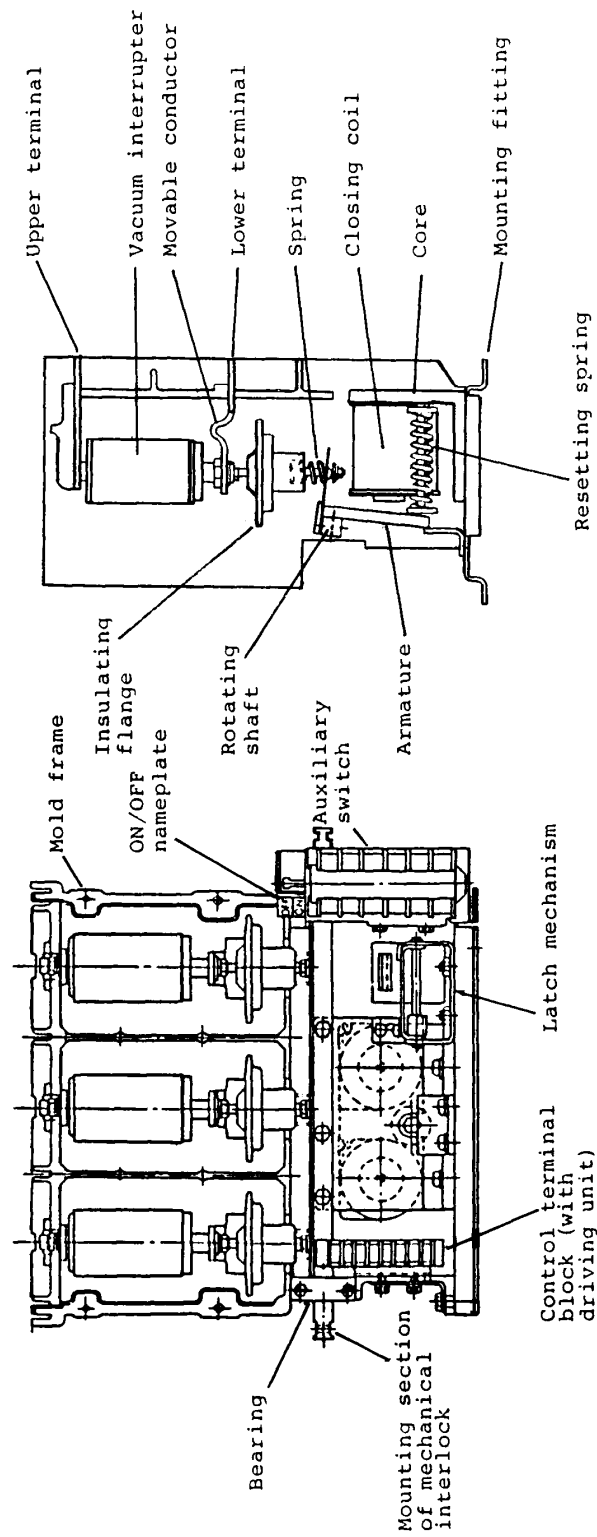
Rated Voltage	7200 Volts
Rated Current	400 Amps
Interrupting Capacity	7000A RMS Symmetrical @5000V Max. 4500A RMS Symmetrical @7200V Max.
Permissible Switching Frequency	1200/Hour
Mechanical Life	2,500,000 Operations
Electrical Life	250,000 Operations
Closing Time	75-100 ms
Opening Time *	20-30 ms
Arcing Time	10 ms or less
Pick-Up Voltage AC or DC	85% Rated (Hot) - 70% Rated (Cold)
Drop-Out Voltage AC or DC	50% Rated (Hot) - 40% Rated (cold)
Rated Control Voltage AC	115/120 or 230/240 V 50/60 Hz
Rated Control Voltage DC	120/125 or 240/250 V
Coil Circuit Inrush	670 VA AC (700 W DC)
Coil Circuit Holding	85 VA AC (85 W DC)
Auxiliary Contact Arrangement	3 N.O. - 3 N.C.
Auxiliary Contact Rating	10 A, 600 V (NEMA Class A600)

* - DC switching, opening terminals 3 & 4.

HCV-5HAL (Latched Type Only)

Permissible Switching Frequency	300/Hour
Mechanical Life	250,000 Operations
Tripping Voltage	40-60% Rating DC
Tripping Current	4.8 A DC Max

Fig. 1 Construction of HCV-5HA & HCV-5HAL



APPLICATION PRECAUTIONS

- 1) Verify that the voltage and current applied is within the specified ratings. (See application table, page 5).
- 2) When the contactor is used with an induction heater facility, the switching life of the vacuum interrupter is approximately 250,000 operations. The vacuum interrupter should be replaced after 250,000 operations.
- 3) When the contactor is applied to a capacitor load, be sure to use a space heater to keep the temperature above the dew point and prevent condensation. Be sure to use a heater adequately sized for the compartment in which the contactor is installed. The contactor should always be applied with a protective power fuse.

INSTALLATION

During installation, protect the contactor from dust and falling debris.

The following precautions should be taken,

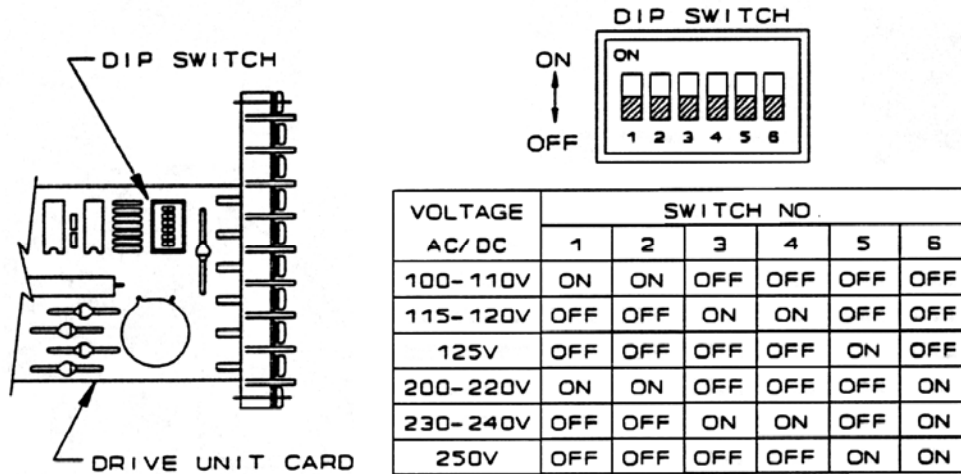
- 1) The mounting surface should be horizontal (level: ± 1 mm). If the mounting surface is not level, adjust with spacers or shims.
- 2) The contactor base has four (4) mounting holes. Use M8 or 5/16 bolts to securely mount the contactor.
- 3) In wiring the main circuit, wires should be given sufficient length to be flexible for service. The ground wires should be #10 AWG or larger.
- 4) Avoid touching the surface of the vacuum interrupter with soiled hands. You can damage the silicon finish on the interrupter. If the interrupter becomes dirty, simply clean it with a non-tracking cleaner such as rubbing alcohol.

CONTROLS

The drive unit for the closing coil assembly is installed in a cavity in the molded frame housing. The closing circuit can be operated by applying either AC or DC to this drive unit. The optional latch trip circuit uses DC as standard. When a latched contactor is operated using AC power, it is recommended that a capacitor trip device be used.

The standard control voltage (factory preset) is 120V AC. To operate at other ratings see the selection chart below.

Fig. 2 Control Voltage Selection for Closing Coils



The following is a list of the available trip coil voltages for a latched type contactor:

- 24 V DC
- 32 V DC
- 48 V DC
- 125 V DC
- 250 V DC

CONNECTION OF CONTROL POWER SUPPLY

Figures 3 and 4 show the internal connections of the magnetically held (normally energized) type and the latched type respectively. Connect control power and open/close control signals according to these connection diagrams.

Note: Connections are the same for 100V and 200V class. Only the drive unit settings should be changed to match the application control voltage.

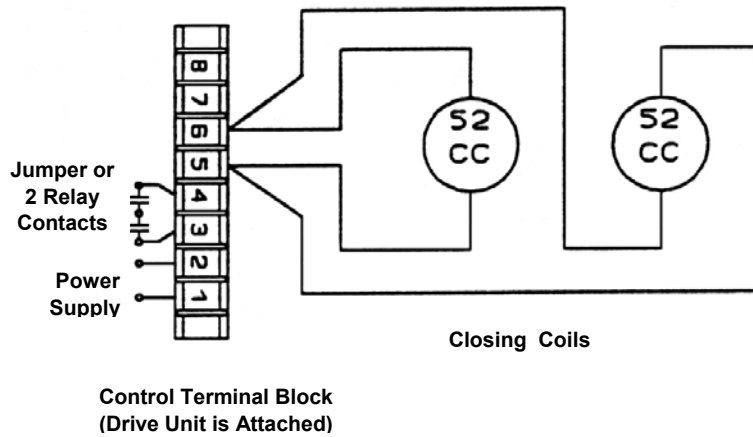


Fig. 3 Connections for Magnetically Held Type.

Note: Terminals 3 and 4 are rated for 4.8A DC max. A wire jumper (14 AWG or larger) can be used instead of a relay on 3 and 4.

Note: Connections are the same for 100V and 200V class. Only the drive unit settings should be changed to match the application control voltage.

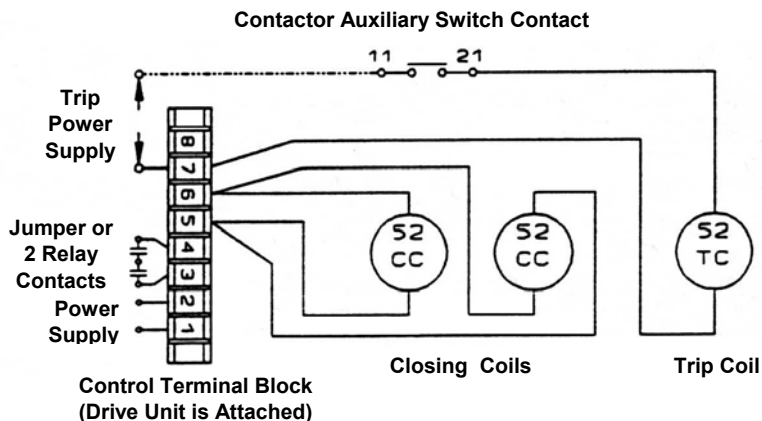


Fig. 4 Connections for Mechanically Latched Type.

Note: Terminals 3 and 4 are rated for 4.8A DC max. A wire jumper (14 AWG or larger) can be used instead of a relay on 3 and 4.

TRIAL OPERATION

▲ WARNING MAKE SURE MAIN POWER IS OFF.

After mounting and wiring of the vacuum contactor, make the following inspections.

- 1) Check for any loose connections.
- 2) Check for any wiring errors. Perform this test with only the control circuit energized.

Confirm that the operation is correct. For the latched type contactor, check that the latch correctly engages and trips when the close/trip signals are applied. Also, manually trip the contactor using the trip lever to verify proper operation. For latch kit adjustment and maintenance please refer to manual no. 6F9G0132 - Installation Instructions of Latch Kits for HCV-5HA.

GENERAL INSPECTION

MAINTENANCE AND INSPECTION

The following maintenance and inspections are recommended to maintain the performance level and extend the operational life of the vacuum contactor.

⚠ WARNING

BEFORE CONDUCTING MAINTENANCE AND INSPECTIONS, MAKE SURE THAT ALL POWER IS TURNED OFF.

ITEMS FOR INSPECTION

Table 3

PARTS TO BE INSPECTED	INSPECTION ITEM	CRACKS	DISCOLORATION	CONTAMINATION	RUST	WEAR	LOOSE PARTS	INCOMPETE OPERATION	VIBRATION SOUND	INSPECTION INTERVALS
MAIN CIRCUIT	VACUUM INTERRUPTER			○	○	○			○	VISUAL CHECK ONCE A YEAR OR EVERY 20,000 OPERATIONS
	MOVABLE CONDUCTOR	○	○							
	UPPER & LOWER TERMINALS		○				○			
MECHANISM SECTION	MOLDED FRAME	○	○	○						
	INSULATION FLANGE	○					○			
	BEARING					○	○			
ELECTRO-MAGNET	CLOSING COIL		○							
	ARMATURE & CORE				○		○			
	AUXILIARY SWITCH	○	○				○			
LATCH MECHANISM	TRIP COIL		○							
	ROLLER	○				○	○	○		
OTHERS	BOLTS & NUTS						○			
	INSULATION WIRE	○								
NOTE	THE LIFE EXPECTANCY OF THE ELECTRICAL PARTS (VACUUM INTERRUPTER, AUXILIARY SWITCH) IS 250,000 OPERATIONS									

▲ WARNING

Make Sure Power Is Turned Off.

MAINTENANCE

Location	Maintenance Procedure
<p>Vacuum Interrupter</p>	<ul style="list-style-type: none"> ▪ Check the upper and lower flanges and interrupter shaft to see if they are contaminated or corroded. <p>If contaminated...use a clean cloth and rubbing alcohol.</p> <p>If corroded.....replace with a new interrupter.</p> <p>NOTE: Avoid touching the ceramic surface. Skin oils may harm the silicon varnish.</p> <ul style="list-style-type: none"> ▪ Check the main contact wear in the vacuum interrupter. <p>If the wear gauge can be inserted, then there is sufficient contact material available for continued use.</p> <p>If the gauge cannot be inserted, replace the interrupter.</p> <p>NOTE: This check is made with the contactor closed.</p> <ul style="list-style-type: none"> ▪ Check vacuum in the vacuum interrupter. <p>Apply 10kVAC between the upper and lower terminals for one minute. If there is no voltage breakdown, the vacuum interrupter is acceptable for continued use. If there is voltage breakdown, replace with a new vacuum interrupter before continued use.</p> <p>NOTE: If there is a vacuum failure, it can be confirmed by pushing down on the insulating flange below the vacuum interrupter. If the interrupter shaft can easily be moved, then the interrupter has lost vacuum.</p>

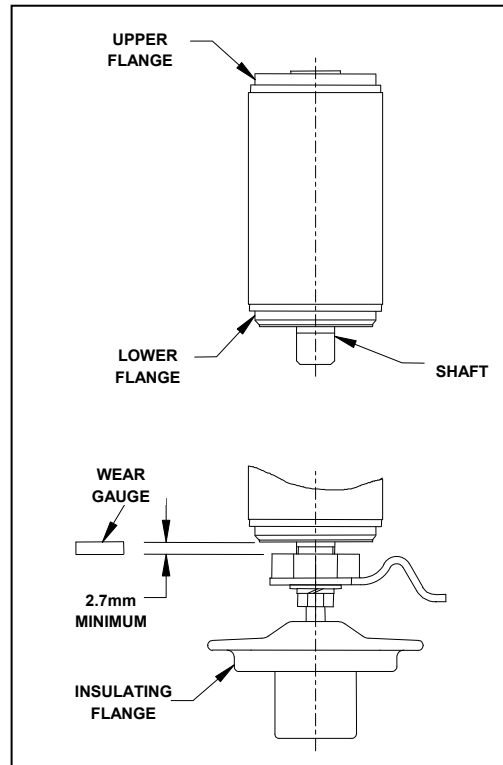
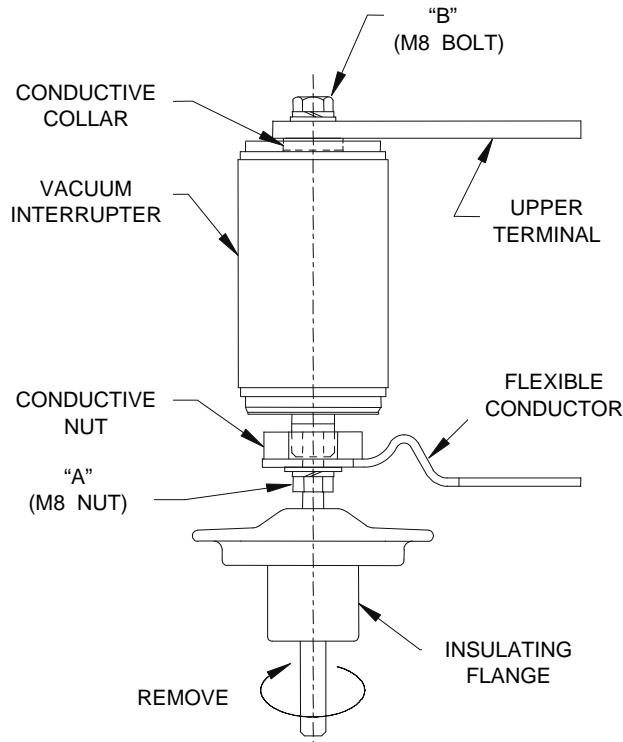


Fig. 8 Vacuum Interrupter

Location	Maintenance Procedure			
Vacuum Interrupter	Gap/Wipe Standard Values (contactor in new condition)			
	Contactor	Contact Gap	Wipe (new)	Allowable Wear
	Normally Energized Type	4.0-4.2mm	>2.3mm	1.8mm
	Latched Type	4.0-4.2mm	>2.1mm	1.6mm
Bearing	* Check for loose mounting bolts. Tighten if loose. Torque M6 bolts to 48 in-lb.			
Closing Coil	* Check for discoloration. Yellow (Gold) available for continued use. Dark Brown or Black replace with new coil. If the closing coil is overheating, contact Toshiba.			
Latch Mechanism	* Check that the holding latch reliably engages. Note: To manually close the latch, hold the central area of the rotating shaft with a wrench and operate it. * Check the condition of the roller. It should be smooth. * Lubricate the rotating parts with a molybdenum disulfide or gear lubricant.			
Auxiliary Switch	* Verify that there is remaining auxiliary shaft travel. Approximately 2.3 - 2.5mm.			
	* Check for burnt or worn contacts. Replace if burnt or worn.			
	* Check if auxiliary switch is mounted at an incline or if mounting plate is loose. If inclined or loose, correct it.			
	(Reference) Values for gap and wipe			
	Contact Type	Contact Gap	Wipe	
Normally Open Contact	4mm +/- 0.4	3mm +/- 0.3		
Normally Closed Contact	4mm +/- 0.4	3mm +/- 0.3		
Delayed N.C. Contact (For latched type contactor only. Contacts 16-26)	2.5mm +/- 0.3	4.5mm +/- 0.5		

PROCEDURE FOR REPLACING VACUUM INTERRUPTERS

When a vacuum interrupter has reached a specified life (250,000 operations) or when it is damaged, it is recommended that it be replaced in the following sequence:



Removing

- 1) Hold the insulating flange with one hand and loosen nut "A" (below the flexible conductor) with a wrench.
- 2) Turn the insulating flange clockwise by hand until it comes off the movable shaft of the vacuum interrupter.
- 3) With the vacuum interrupter held in one hand, loosen and remove bolt "B" (above the interrupter) with a wrench.
- 4) While pushing down on the insulating flange, pull the vacuum interrupter forward to remove it.

At this time, the conductive collar can also be removed. Keep the collar for later use.

Fig. 9 Mounting of Vacuum Interrupter.

MOUNTING

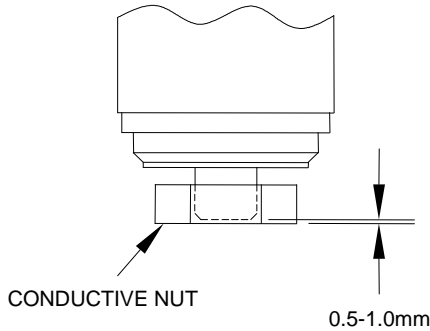


Fig. 10

- 1) Remove the conductive nut from the vacuum interrupter being replaced and attach it to the new vacuum interrupter as shown in Fig. 10.
- 2) Put the conductive collar on the upper part of the vacuum interrupter (stationary terminal) and assemble the vacuum interrupter.
- 3) Hold the vacuum interrupter and fasten bolt "B" (torque to 120kg-cm or 102in-lb).
- 4) Push down the insulating flange and align the insulating flange stud with the movable shaft of the vacuum interrupter. Then, while turning the flange counterclockwise, insert it. (Install the insulating flange with only 3 to 4 turns, then stop).

ADJUSTING THE MAIN CONTACT GAP OF THE VACUUM INTERRUPTER

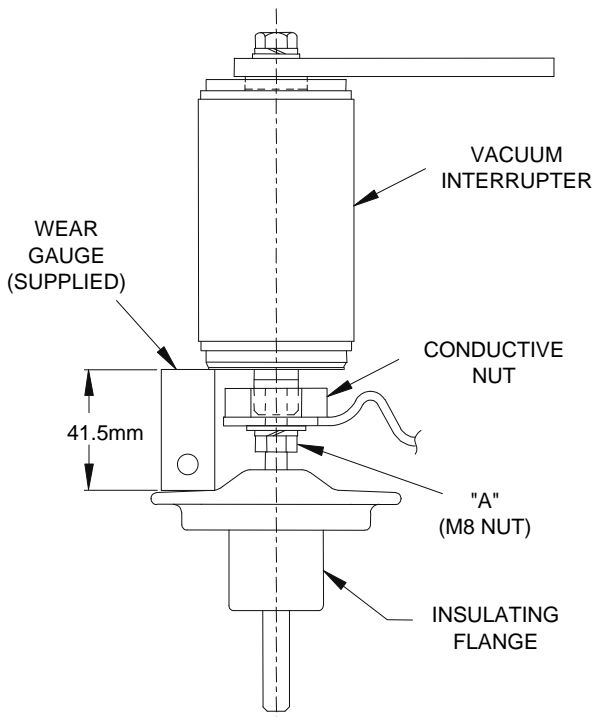


Fig. 11 Adjusting the Main Contact Gap.

- 1) With the control circuit energized, close the vacuum contactor. Check that the armature is attracted to the coil cores.
- 2) As shown in Fig. 11, turn the insulating flange until the distance is 41.5mm or use the wear gauge supplied.
- 3) With the adjustment made, hold the insulating flange still with the hand and secure nut "A".

Note: -Arrange so that the movable conductor is straight and flat.

-Check that the conductive nut does not rotate.

- 4) Turn off the control circuit power supply.
- 5) Operate manually to confirm that the vacuum interrupters close simultaneously.
- 6) Operate the contactor electrically and check that the main contact gap is 4mm +0.2mm. If necessary, loosen nut "A" and turn the insulating flange (clockwise or counterclockwise as necessary) until the correct contact gap is achieved. Then tighten nut "A".

OPERATION CHECK

In a no-load condition, electrically operate the contactor through 20 operations to confirm normal operation.

TROUBLESHOOTING



Turn off main power before any inspections are conducted.

Table 4

SYMPTOM					SOURCE OF TROUBLE/PROBLEM	SOLUTION
Contactor does not close.	Contactor does not open (Latch type).	Trip coil overheated.	Closing coil overheated.	Latch does not engage.	Conduct investigation with main power "OFF".	If inspection and/or countermeasure is difficult, inform Toshiba immediately.
0	0			0		
0	0	0	0	0	Control power supply is low.	Lower the voltage drop to increase the voltage to 90% or more of the rating.
0	0				Incorrect control voltage.	Apply proper rating.
0	0				Defective control circuit.	Check connection diagram.
0	0			0	Bad connection and/or loose connection.	Make proper connection.
0	0				Bad control switch contact.	Clean or replace device.
0	0			0	Incorrect terminal connection.	Connect correctly.
0				0	Blown power supply fuse(s).	Remove cause of fault and replace fuse(s).
0	0				Disconnected coil.	Survey cause and reconnect coil.
0			0		Faulty drive unit.	Replace drive unit.
0			0	0	Defective latch mechanism.	Excite closing coil and check latch hook.
0				0	Mechanism jammed.	Lubricate corresponding portion.
		0			Incorrect auxiliary adjustment.	Adjust delayed N.C. contact gap to 2.5mm +/- 0.3mm when connected.
	0				Bad auxiliary contact.	Clean or replace auxiliary contact block.

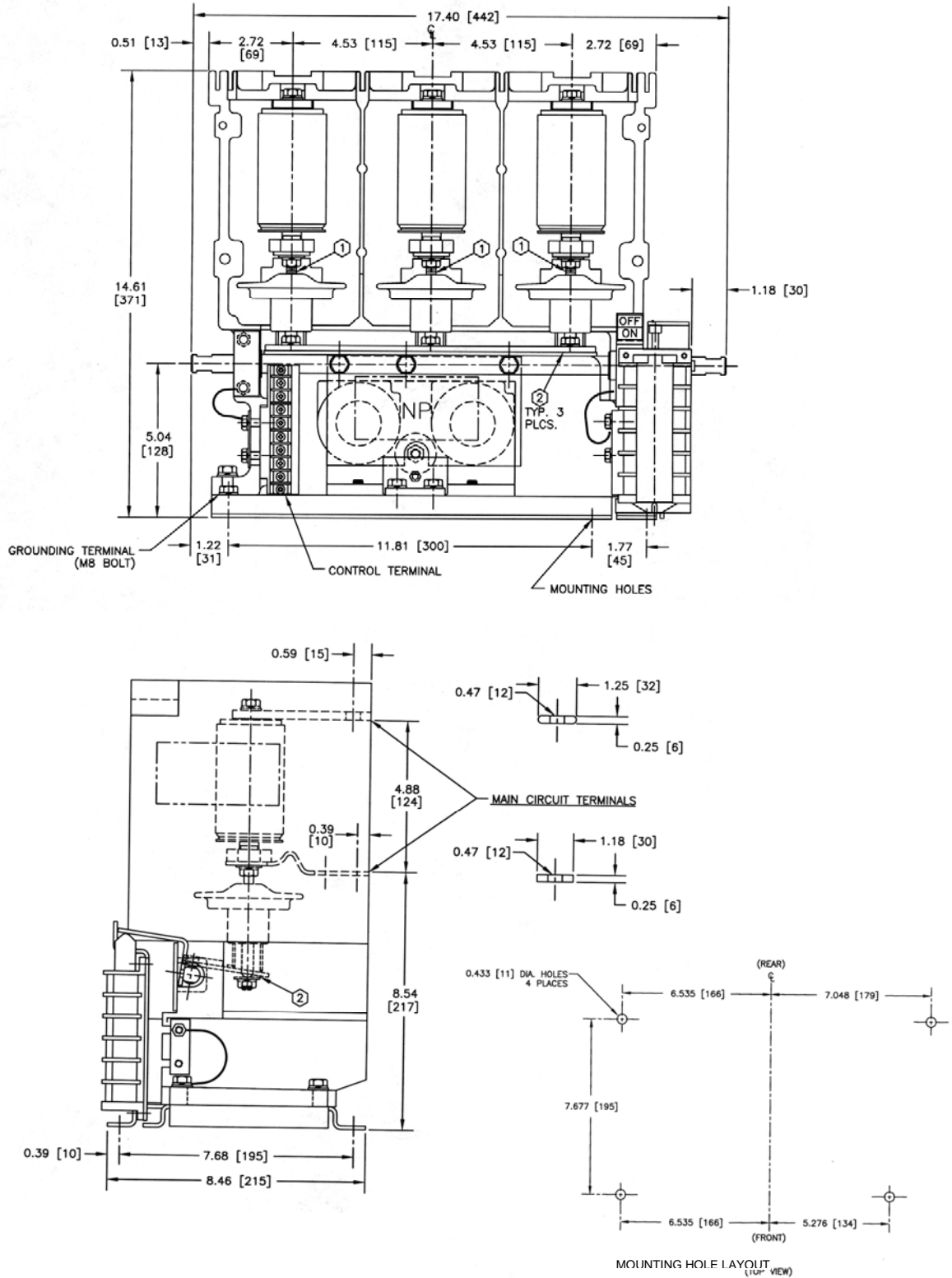


Fig. 12 Types HCV-5HA, HCV-5HAL

Toshiba International Corporation ("Company") warrants that all equipment and parts described herein will be free from defects in materials and workmanship. THIS WARRANTY WILL EXPIRE EIGHTEEN (18) MONTHS AFTER THE DATE ON WHICH SUCH EQUIPMENT AND PARTS (EXCLUDING REPAIRED OR REPLACEMENT EQUIPMENT AND PARTS FURNISHED PURSUANT TO THIS WARRANTY) ARE SHIPPED BY THE COMPANY TO THE INITIAL PURCHASER OR TWELVE (12) MONTHS AFTER SUCH EQUIPMENT AND PARTS (EXCLUDING REPAIRED OR REPLACEMENT EQUIPMENT AND PARTS FURNISHED PURSUANT TO THIS WARRANTY) ARE FIRST PLACED IN OPERATION, WHICHEVER PERIOD FIRST EXPIRES.

The Company will, at its option, repair or replace such equipment or part which is defective under the terms of the foregoing warranty, free of charge; provided the purchaser (1) promptly notifies the Company in writing of such defect, and (2) furnishes the Company satisfactory proof thereof, and (3) establishes that the equipment or part has been properly installed, maintained and operated within the limits of rated capacity and normal usage and in accordance with this manual, and (4) if requested by the Company, returns the defective equipment or part to the Company and pays all expenses incurred in connection with such return. The repaired or replacement equipment or part will be delivered, free of charge, to the purchaser F.O.B. the Company's warehouse or, at the Company's option, F.O.B. a Company authorized service shop, not loaded on truck or other carrier. The purchaser will pay the costs applicable to the equipment or part following such delivery, including, without limitation, all handling, transportation, assembly, insurance, testing and inspection charges.

THE FOREGOING OBLIGATION TO REPAIR OR REPLACE EQUIPMENT PARTS SHALL BE THE SOLE AND EXCLUSIVE REMEDY OF THE PURCHASER, ITS CUSTOMERS AND USERS OF THE EQUIPMENT AND PARTS FOR BREACH OF THE FOREGOING WARRANTY. THE COMPANY WILL HAVE NO OBLIGATIONS TO DISASSEMBLE ANY EQUIPMENT OR PART WHICH IS DEFECTIVE WITHIN THE TERMS OF THE ABOVE WARRANTY OR TO INSTALL ANY REPAIRED OR REPLACEMENT PART OR EQUIPMENT OR TO PAY ANY COSTS INCURRED IN CONNECTION WITH ANY SUCH DISASSEMBLY OR INSTALLATION. THE COMPANY, TOSHIBA CORPORATION AND THEIR SUPPLIERS AND SUBCONTRACTORS HEREBY DISCLAIM ALL OTHER EXPRESS, STATUTORY AND IMPLIED WARRANTIES, INCLUDING, WITHOUT LIMITATION, ALL EQUIPMENT AND PARTS FURNISHED PURSUANT TO THE FOREGOING WARRANTY AND ALL IMPLIED WARRANTIES OF MERCHANTABILITY.

The total liability of the Company, Toshiba Corporation and their suppliers and subcontractors for any loss, damage or claim, whether in contract, tort (including negligence and liability without fault), or otherwise, arising out of, connected with or resulting from the equipment and parts described in this manual or the performance or breach of any contract for the sale or supply of such equipment and parts, or from the design, manufacture, sale, delivery, resale, installation, technical direction or supervision of installation, inspection, testing, repair, replacement, operation, maintenance or use of any such equipment or part or any service relating thereto furnished by the Company shall not in any event exceed the price allocable to the equipment, part or service which gives claim, loss or damage. In no event, whether as a breach of contract or warranty, alleged negligence, liability without fault, or otherwise, shall the Company, Toshiba Corporation or their suppliers or subcontractors be liable for special or consequential damages, including, without limitation, loss or profits or revenue, loss of equipment described herein or any associated equipment, cost of capital, cost of substitute equipment or parts, facilities or services, down-time costs, labor costs or claims of customers of the purchaser for such damages.