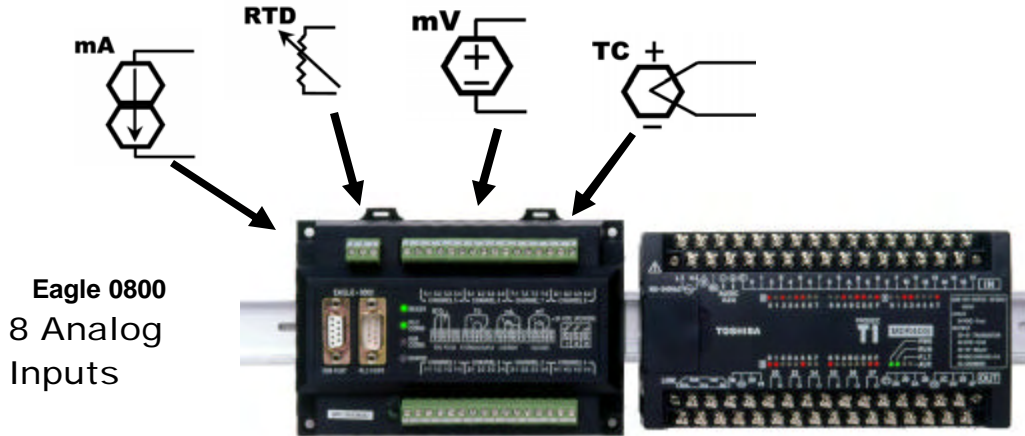


More Analog Inputs for T1 mPLCs



Eagle 0800
8 Analog
Inputs

**Also
Available**

Eagle 0201

2 Analog Inputs
1 Analog Output

Eagle 0404

4 Analog Inputs
4 Analog Output

Toshiba Houston offers the Eagle analog I/O for the T1 Series μ PLCs. The Eagle I/O is universal analog I/O. Eagle I/O allows T1 PLCs to work with the following analog signals.

Analog Inputs

- ◆ Thermocouples
- ◆ RTDs
- ◆ 0-50 mV
- ◆ 0-20 mA
- ◆ 4-20 mA
- ◆ 0-100 mV

Analog Outputs

- ◆ 4-20 mA
- ◆ 0-100 mV
- ◆ 0-10 Vdc

For the analog inputs, the Eagle I/O performs the A to D (analog to digital) conversion and loads a digital value directly into a T1 register. For analog outputs, the Eagle I/O reads a digital value out of a T1 register and performs a D to A (digital to analog conversion). Analog signal types and PLC registers are defined using the included simple setup software.

Simple process control has never been easier or more cost effective. Now the analog values of temperature, pressure, flow, weight, etc. can be included into the sequencing, interlocking and permissive control performed by the PLC.

For more information contact your nearest Toshiba programmable controller distributor, or visit the Toshiba Houston Industrial website

SPECIFICATIONS

ANALOG INPUTS

ITEM	SPECIFICATION
Part Number:	See Order Numbers Below
I/O Registers Assigned:	None (Uses Data Registers, 1 Register per Channel Designated by Sfwr)
Input Range: Thermocouple Resolution	J, K, R, S, T, E, N, & B . 0-100 mV, Cold Junction Compensation Error 1° maximum, 0.5°C typical.
Input Range: RTD Resolution	PT100 (0.00395 and 0.00385), 3 Wire Compensation, Current Sense 0.5ma. Range: -200° to 800° C
Input Range: Voltage Current Resolution	0-100 mV, 0-10 V (via PLC scaling/external shunt resistor) 0-20 mA 12 bit

ANALOG OUTPUTS

ITEM	SPECIFICATION
Part Number:	See Order Numbers Below
I/O Registers Assigned:	None (Uses Data Registers, 1 Register per Channel Designated by Sfwr)
Output Range: Voltage Current	0-10 V, Minimum Load = 400 Ω 4-20 mA Maximum Load = 500 Ω

GENERAL

ITEM	SPECIFICATION
Communication Ports: PLC IBM	Connects to T1 Programming Port Connects to Computer for Setup Connects to OIS for PLC Access
Temperature:	Operating: 0° to 50° C Storage: -25° to 80° C
Humidity:	10% to 90% Non condensing
Immunity to ESD:	Level 3 per IEC 61000-4-2
Immunity to Transients:	Level 3 per IEC 61000-4-4
Radiated Susceptibility:	Level 3 per IEC 61000-4-3
Emissions:	EN55011 CISPR A
Certifications:	CE, CSA
Isolation:	Analog isolated from Digital, no isolation between channels.
Size	Eagle 0800 & 0404 155mm x 102mm x 48mm Eagle 0201 94mm x 42mm x 47 mm
Mounting:	DIN rail or through hole
Weight	Eagle 0800 & 0404: 0.5 kg Eagle 020:1 02 kg

ORDER NUMBERS

ITEM	DESCRIPTION
Eagle0201U	2 Universal Analog Inputs, 1 Analog Output.
Eagle0404U	4 Universal Analog Inputs, 4 Analog Outputs.
Eagle-0800U	8 Universal Analog Inputs.
TKEAGLE05T1	Cable, 50 cm, Connects T1 to Eagle Exp.Unit
TKEAGLE20T1	Cable, 2 m, Connects T1 to Eagle Exp.Unit1
TKEAGLE20T2	Cable, 2 m, Connects T2 to Eagle Exp.Unit
NOTES: 1. Each Eagle unit contains setup software. 2. Connection cables must be ordered separately	