

ELIMINATOR™ Series

Diverts the flow of harmonic currents away from neutral and upstream transformer

Reduces high neutral current and neutral-to-ground voltage

Eliminates the need for double ampacity neutrals upstream

Reduces losses and lowers operating temperature in upstream distribution transformer

Substantially reduces primary winding circulating currents in distribution transformers

Reduces current distortion at UPS, generator or Utility service

Saves energy by reducing harmonic losses

Prevents voltage flat-topping caused by non-linear loads

Lowers voltage distortion to prevent premature equipment failure

Restores ride-through capability of computer equipment

Improves Power Factor

Integrated ammeter measures neutral current removed

Field Adjustable Impedance option offers improved application flexibility

Helps meet IEEE Standard 519 harmonic limits

Electromagnetic Harmonic Filters

Passive, electromagnetic harmonic filters for 3rd and other low frequency harmonic currents generated by single-phase non-linear loads, such as computer equipment. Equipped with zero sequence flux cancellation technology to filter 3rd and other triplen harmonic currents without using capacitors.



Neutral Current Eliminator™ (NCE™)

A high performance, zero sequence harmonic filter for removal of the 3rd and other triplen harmonic currents from 3-phase, 4-wire distribution systems. Connected in parallel, the NCE™ provides a low impedance alternate path to divert harmonics away from the neutral and upstream transformer, UPS or other power source. Patented Field Adjustable Impedance (FAI) option allows selection of higher zero sequence impedance in the field.

Combined Neutral Current Eliminator™ (CNCE™) patented

An extremely effective, zero sequence harmonic filter and phase shifting auto-transformer combination. Connected in series, the CNCE™ integrates the triplen harmonic filtering action of the NCE™ with phase shifting to cancel 5th and 7th harmonic currents as well. This substantially reduces voltage distortion and flat-topping throughout the distribution system. Field Adjustable Impedance (FAI) option permits selection of high or low input zero sequence impedance. Field selecting the low impedance option will permit the CNCE™ to treat upstream zero sequence harmonics in addition to those downstream.



General Specifications:

ELIMINATOR™ Series

by MIRUS

Electromagnetic Harmonic Filters

Supply Voltage

120/208V, 3-Phase, 4 wire, 60Hz

Operating Temp. Rise

130°C [150°C][115°C][80°C]

Insulation Class

220°C

Angular Displacement

CNCE only: 30° lag [0° lag]

System Connection

NCE: Parallel to load
CNCE: In Series with part of load

Zero Sequence Impedance

$Z_0 < 0.95\%$, $X_0 < 0.3\%$ (Typical)

K-Factor Capability

20

Crest Factor Capability

4.5

Neutral Bus Ampacity

NCE: 300% of phase current
CNCE: 200% of phase current
300% with FAI model

Full Load Efficiency

> 97%

Winding Material

Copper

Insulating Varnish Impregnation

Polyester Resin

Audible Sound Level

As per Nema ST-20

Enclosure

Type: Nema-3R, ventilated
Paint: Polyester powder coated
Colour: ANSI 61 Grey

Neutral Current Ammeter

Flush Mounted (displays neutral current removed from system)

Options:

Field Adjustable Imp. (FAI)

NCE: Field select very low or low Z_0
CNCE: Field select high or low Input Z_0

Over-Temp. Sensors

[170°C], [200°C]

Solid Bottom Plate

Available for 'MN' case only

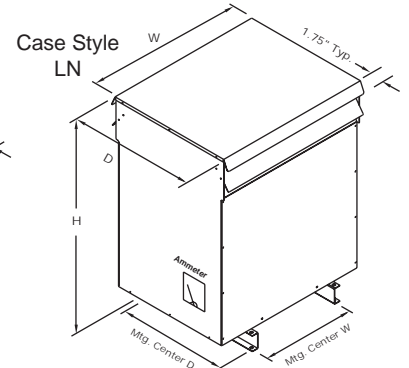
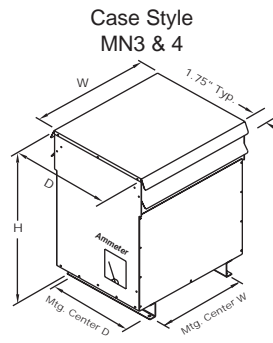
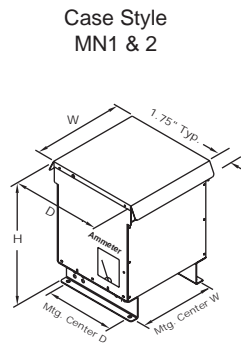
* Approximate Values

NCE™					
Neutral Case Current	Sizes		Losses*		Copper
	Style	Weight* lbs [kg]	Iron (no load)	Copper (full load)	
60	MN1	165 [75]	115W	100W	
75	MN1	180 [82]	130W	120W	
100	MN1	225 [102]	135W	150W	
150	MN1	250 [113]	160W	250W	
175	MN2	270 [122]	180W	350W	
225	MN2	350 [159]	190W	425W	
250	MN2	350 [159]	190W	525W	
300	MN2	375 [170]	200W	550W	
350	MN2	400 [181]	220W	600W	
400	MN3	480 [218]	230W	700W	
500	MN3	520 [236]	240W	800W	
600	MN3	560 [254]	260W	960W	

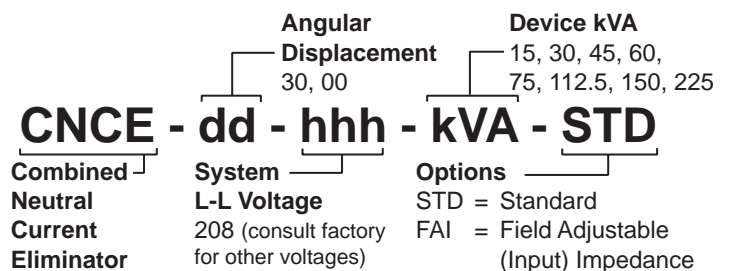
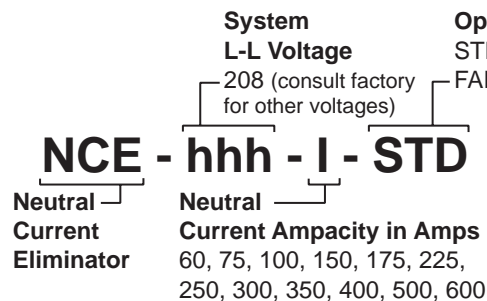
CNCE™					
kVA Primary	Sizes		Losses*		Copper
	Case Style	Weight* lbs [kg]	Iron (no load)	Copper (full load)	
15	MN1	230 [104]	175W	250W	
30	MN2	320 [145]	265W	470W	
45	MN2	410 [186]	320W	590W	
60	MN3	470 [213]	350W	830W	
75	MN3	540 [245]	380W	1350W	
112.5	MN4	700 [318]	450W	1750W	
150	MN4	890 [404]	465W	2680W	
225	LN1	1350 [612]	660W	4150W	

DIMENSIONS

Case Style	H (Height) inches [mm]	W (Width) inches [mm]	D (Depth) inches [mm]	Mtg. Center W inches [mm]	Mtg. Center D inches [mm]
MN1	22.00 [559]	16.75 [425]	15.00 [381]	13.75 [349]	13.00 [330]
MN2	29.00 [737]	21.50 [546]	19.50 [495]	17.00 [432]	17.50 [445]
MN3	38.00 [965]	26.00 [661]	21.00 [534]	21.50 [546]	19.00 [483]
MN4	41.00 [1041]	32.00 [813]	25.50 [648]	23.50 [597]	23.50 [597]
LN1	51.50 [1308]	39.50 [1003]	30.00 [762]	24.00 [610]	32.00 [813]



Product Codes:



E-PS01-A2
Effective: November 2003