

Grounding Lugs

Specifications:

- Connector, High Conductive Aluminum, Tin Plated
- Screw head is green ink
- Flexible Stranded Wire Compliant
- UL Recognized File No. ZMVV2.E43665
- CSA Certified File No. 63510-25
- RoHS Compliant

Catalog # (Part #)	Wire Range AWG/kcmil	Torque lb in
GL02 (9807052)	#2 - #3	50
	#4 - #6	45
	#8	40
	#10 - #14	35



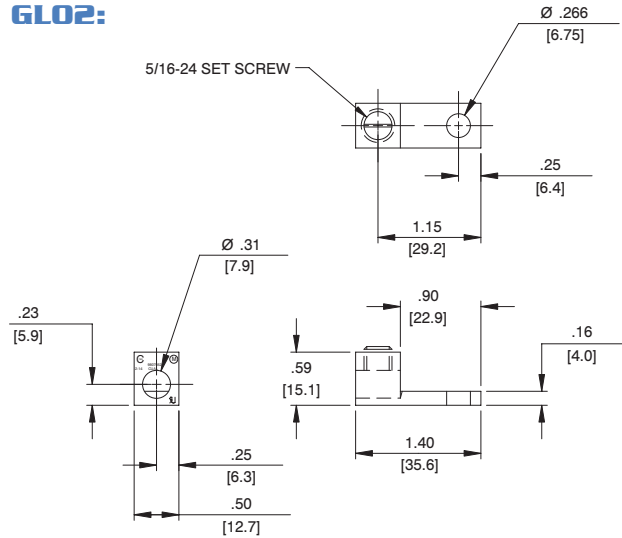
Catalog # (Part #)	Wire Range AWG/kcmil	Torque lb in
GL20 (9718102)	2/0 - #6	120
	#8	40
	#10 - #14	35



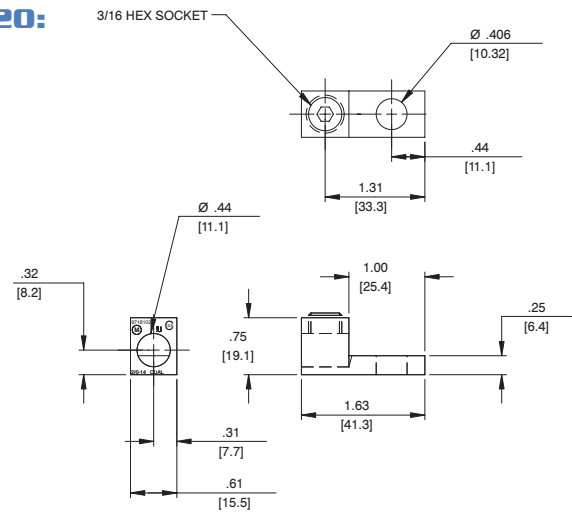
Catalog # (Part #)	Wire Range AWG/kcmil	Torque lb in
GL35 (9819830)	350 kcmil - #6	375



GL02:



GL20:



GL35:

