

# M Fuse Holders - 600 Volt<sup>+</sup>

## Specifications:

- Tested and Approved for 100,000 Amp Withstand Rating and Short Circuit Current Ratings (SCCR)
- Clip, Copper Alloy, Tin Plated
- Quick Connect Standard with Screw (S) or Sems Pressure (SP)
- UL Recognized File No. IZLT2.E35113
- CSA Certified File No. LR21455
- **CE** - Rated for 1000 Volts
- RoHS Compliant



6M30A3SPQ



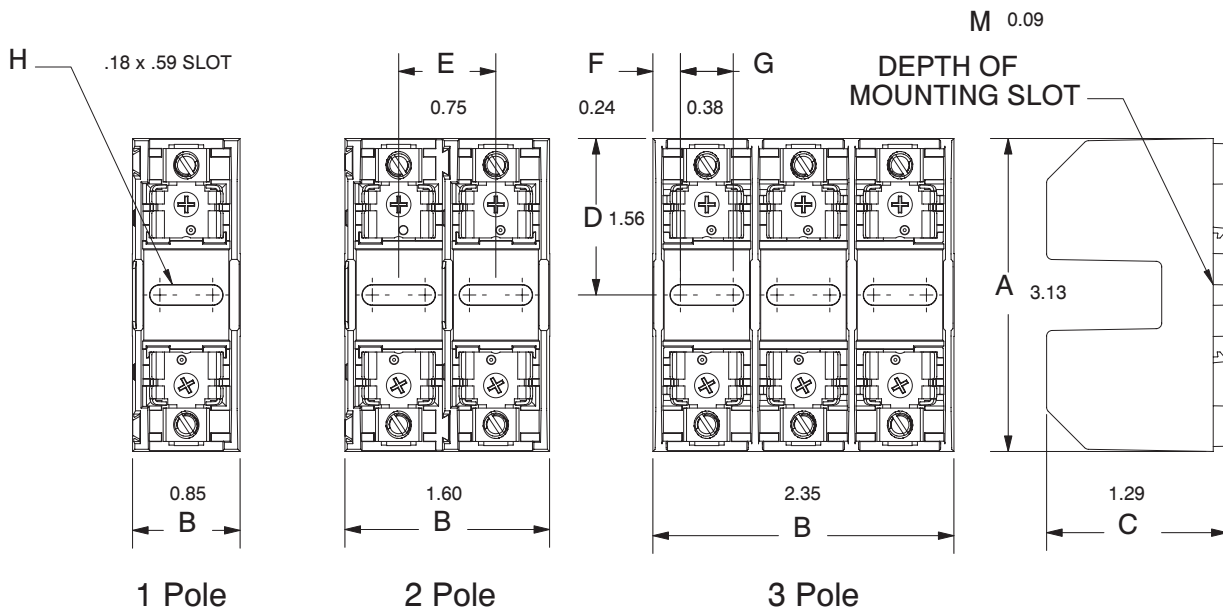
6M30A3B

## Catalog #:

Replace "X" with # of poles

Standard	Reinforced	Poles (X)	Amps	Base Materials	Wire Range	Fuse Size	Fuses
6M30AXSQ	N/A	1/2/3	30	Thermoplastic	#10-#22 AWG CU	13/32" DIA BY 1 1/2"	A13X-2, A25Z-2, A60Q-2, A6Y-2B, AGU, ATM, ATQ, BAF, BAN, BLF, BLN, BLS, FLA, FLM, FLQ, FNM, FNQ, GFN, GGO, KLK, KLKD, KLQ, KTK, OTM, TRM
6M30AXSPQ					#10-#14 AWG CU		
6M30AXB					#6-#14 AWG CU		
6M30AXBCU							

See pages 32-33 for available covers  
See page 34 for DIN Rail Adapter



mm = dim X 25.4