

# Single Row Terminal Blocks

## Kulka® 2690 GP Series

300 Volts AC/DC

### Specifications:

- Base, Phenolic, 150°C
- Screws, #6-32 Binder Head, Slotted or #8-32 Binder Head, Slotted, Brass
- Terminals, Plated Brass
- 7/16" Centers
- Wire Range #14-16 AWG - 20 Amps
- UL Recognized File No. XCFR2.E47811
- CSA Certified File No. LR19766
- **CE**
- RoHS Compliant



### TERMINAL BLOCK SERIES

# of poles	2694 GP / 2694A GP 2695 GP / 2695A GP 2696 GP / 2696A GP		2697 GP / 2697A GP 2698 GP / 2698A GP 2699 GP / 2699A GP	
	Dimensions		Dimensions	
	A	B	A	B
1	1.41	0.88	0.53	--
2	1.84	1.31	0.97	0.44
3	2.28	1.75	1.41	0.88
4	2.72	2.19	1.84	1.31
5	3.16	2.63	2.28	1.75
6	3.59	3.06	2.72	2.19
7	4.03	3.50	3.16	2.63
8	4.47	3.94	3.59	3.06
9	4.91	4.38	4.03	3.50
10	5.34	4.81	4.47	3.94
11	5.78	5.25	4.91	4.38
12	6.22	5.69	5.34	4.81
13	6.66	6.13	5.78	5.25
14	7.09	6.56	6.22	5.69
15	7.53	7.00	6.66	6.13
16	7.97	7.44	7.09	6.56
17	8.41	7.88	7.53	7.00
18	8.84	8.31	7.97	7.44
19	9.28	8.75	8.41	7.88
20	9.72	9.19	8.84	8.31
21	10.16	9.63	9.28	8.75
22	10.59	10.06	9.72	9.19
23	11.03	10.50	10.16	9.63
24			10.59	10.06
25			11.03	10.50

mm = dim X 25.4

Include "PSB" after part # when ordering  
(269XX GP XX PSB)

See page 99 for 1690 Series Terminal block dimensions.

### Hardware Options:

(Hardware options may affect ratings - consult Customer Service)

CATALOG #	PRODUCT DESCRIPTION	PAGE REFERENCE
MSP	KULKA	
KT28	Full Quick Connect (0° Flat)	See page 100
KT29	Full Quick Connect (45° Bend)	See page 100
KT30	Full Quick Connect (90° Bend)	See page 100
KT34	Half Quick Connect (0° Flat)	See page 100
KT35	Half Quick Connect (45° Bend)	See page 100
KT36	Half Quick Connect (90° Bend)	See page 100
KT46	Full Quick Connect (0° Flat)	See page 100
KT47	Full Quick Connect (45° Bend)	See page 100
KT48	Full Quick Connect (90° Bend)	See page 100
KT52	Half Quick Connect (0° Flat)	See page 100
KT53	Half Quick Connect (45° Bend)	See page 100
KT54	Half Quick Connect (90° Bend)	See page 100
3/4 ST	Half Solder	See page 102
Y	Lug Over the Side (.609)	See page 102
Z	Lug Over the Side (.344)	See page 102
J 601	Line to Line Jumper	See page 103
601 RJ(S)	Multiple Position Jumper	See page 103

Quick Connects (KT28-36): .020" x .187" - Quick Connects (KT46-54): .032" x .250"

See pages 100-111 for terminal block accessories

# Single Row Terminal Blocks

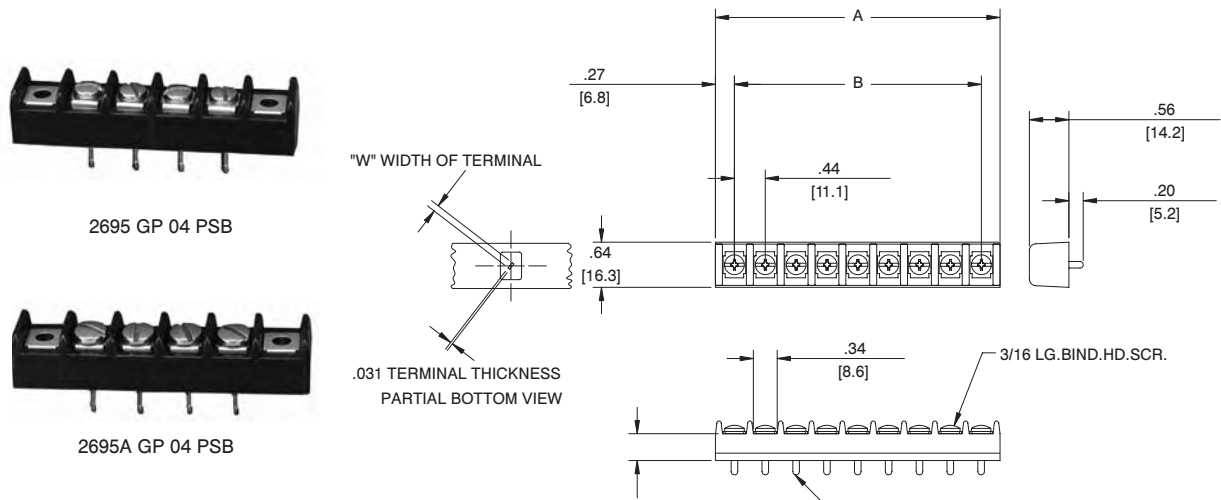
## Kulka® 2690 GP Series (cont.)

### TERMINAL BLOCK SERIES: 2694 GP / 2694A GP / 2695 GP 2695A GP / 2696 GP / 2696A GP

#### DEFINITION BARRIER ENDS:

2694 GP #6-32 Brass Screw, Printed Circuit Width = .062  
 2695 GP #6-32 Brass Screw, Solder Turret (not shown)  
 2696 GP #6-32 Brass Screw, Printed Circuit Width = .093

2694A GP #8-32 Brass Screw, Printed Circuit Width = .062  
 2695A GP #8-32 Brass Screw, Solder Turret (not shown)  
 2696A GP #8-32 Brass Screw, Printed Circuit Width = .093



### TERMINAL BLOCK SERIES: 2697 GP / 2698 GP / 2699 GP 2697A GP / 2698A GP / 2699A GP

#### DEFINITION BARRIER ENDS:

2697 GP #6-32 Brass Screw, Printed Circuit Width = .062  
 2698 GP #6-32 Brass Screw, Solder Turret (not shown)  
 2699 GP #6-32 Brass Screw, Printed Circuit Width = .093

2697A GP #8-32 Brass Screw, Printed Circuit Width = .062  
 2698A GP #8-32 Brass Screw, Solder Turret (not shown)  
 2699A GP #8-32 Brass Screw, Printed Circuit Width = .093

