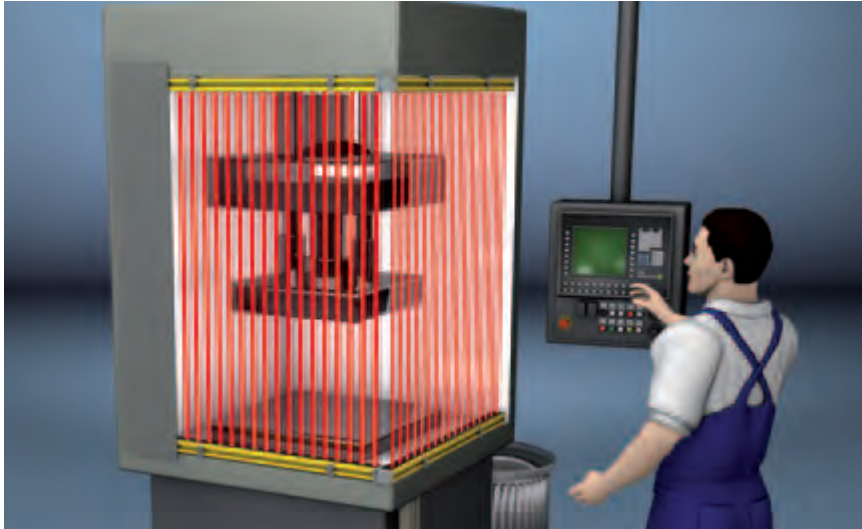
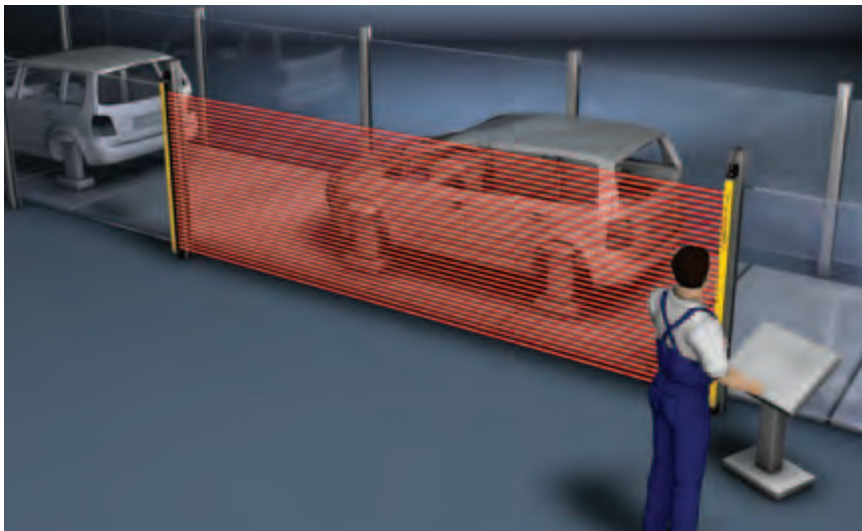


SAFETY LIGHT CURTAINS

SOLID-4, SOLID-4E



SOLID-4E with 30 mm resolution and fixed cascade for hand protection for point of operation guarding on presses



SOLID-4E with integrated start/restart interlock for access guarding on transport conveyors

Rapid market changes require flexible production line adjustments. This demands long-life safety sensor technology that is versatile in its application. Whether it be hand protection or danger zone and access guarding, the type 4 Safety Light Curtains of the SOLID-4 series provide reliable protection and ensure the highest possible system availability with their robust and interference-immune design. Protected by a warp-resistant profile housing closed on four sides and with their uncomplicated M12 connection system, they withstand even the toughest industrial conditions. The restart interlock and contactor monitoring functions, and two different transmission channels for a fault-free operation of adjacent devices close to one another, are freely selectable. The versions in resolutions of 14, 20, 30, 40, 90 mm, the slender design and the versatile fixing options guarantee short mounting times. Device versions with cable-connected or fixed cascading as well as a standard variant without restart-disable and contactor monitoring enable flexible and cost-optimized solutions.

Typical areas of application

- Automotive industry and its suppliers
- Building material and glass machinery
- Print and paper processing
- Electrical and electronics manufacturers
- Industrial robots
- Shoe and leather industry
- Tobacco industry
- Packaging machinery
- Presses
- Woodworking machines

SOLID-4, SOLID-4E

Important technical data, overview

Type in accordance with IEC/EN 61496	Type 4				
SIL in acc. IEC 61508 and SILCL in acc. with IEC/EN 62061	SIL 3				
Performance Level (PL) in accordance with EN ISO 13849-1	PL e				
Category in acc. with EN ISO 13849	4				
Resolution	14 mm	20 mm	30 mm	40 mm	90 mm
Range	0.3...6 m	0.7...14 m	0.5...9 m	0.9...20 m	0.9...20 m
Protective field height (type-dependent)	150...1800 mm				
Profile cross-section	30 mm x 34 mm				
Safety-related switching outputs (OSSDs)	2 pnp transistor outputs				
Connection system	M12 plug				

Functions	SOLID-4	SOLID-4E
Automatic start/restart	●	●
Start/restart interlock (RES), selectable		●
Dynamic contactor monitoring (EDM), selectable		●
2 transmission channels, selectable		●
LED display	●	●
7-segment display	●	●

Function extension

SOLID-4

With Safety Relay	Relay output	RES	EDM	Muting	Cycle control	Further details
MSI-SR4	●	●	●			p. 436
MSI-m	●	●	●	●		p. 464
MSI-i	●	●	●		●	p. 458

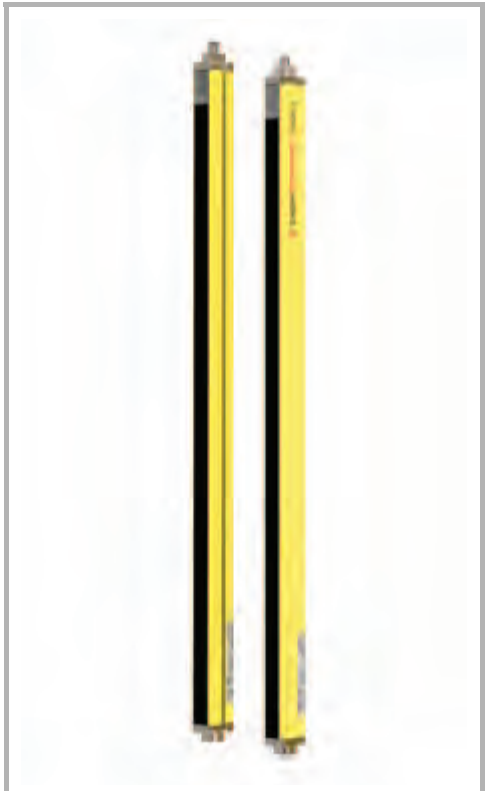
SOLID-4E

MSI-RM2	●	*	*			p. 430
---------	---	---	---	--	--	--------

*) Already included in the device

Special features

- **Type 4 self-monitoring Safety Light Curtain in accordance with IEC/EN 61496**
- **Several devices can be cascaded (SOLID-4E)**
- **Slender and robust aluminum housing (30 mm x 34 mm)**
- **Fault-free operation of adjacent devices with selection of different transmission channels**
- **Easy function selection with external wiring**
- **Maintenance-free with safety transistor outputs (OSSDs)**



Features



Further information

	Page
● Ordering information	142
● Electrical connection	150
● Technical data	151
● Dimensional drawings	152
● Dimensional drawings: Accessories	156
● Accessories ordering information	158

Machine Safety

Machine Safety Services

Safety Engineering Software

Safety Laser Scanners

Safety Light Curtains

Multiple Light Beam Safety Devices

Safety Sensor Sets

Single Light Beam Safety Devices

AS-Interface Safety at Work

PROFIsafe Sensors

SAFETY LIGHT CURTAINS

Ordering information

SOLID-4, consisting of transmitter and receiver.
Included in delivery: 2 bracket sets BT-360-SET, 1 connecting and operating instructions manual

Function: Automatic start/restart

Protective field height in mm	SOLID-4			SOLID-4		
	Art. no.	Article	Description	Art. no.	Article	Description
	Resolution: 14 mm			Resolution: 20 mm		
	Range: 0.3 - 5 m			Range: 0.7 - 14 m		
150	67843501	SD4T14-150	Transmitter	67841701	SD4T20-150	Transmitter
	67843201	SD4R14-150	Receiver	67840201	SD4R20-150	Receiver
225				67841702	SD4T20-225	Transmitter
				67840202	SD4R20-225	Receiver
300	67843503	SD4T14-300	Transmitter	67841703	SD4T20-300	Transmitter
	67843203	SD4R14-300	Receiver	67840203	SD4R20-300	Receiver
450	67843504	SD4T14-450	Transmitter	67841704	SD4T20-450	Transmitter
	67843404	SD4R14-450	Receiver	67840204	SD4R20-450	Receiver
600	67843506	SD4T14-600	Transmitter	67841706	SD4T20-600	Transmitter
	67843206	SD4R14-600	Receiver	67840206	SD4R20-600	Receiver
750	67843507	SD4T14-750	Transmitter	67841707	SD4T20-750	Transmitter
	67843207	SD4R14-750	Receiver	67840207	SD4R20-750	Receiver
900	67843509	SD4T14-900	Transmitter	67841709	SD4T20-900	Transmitter
	67843209	SD4R14-900	Receiver	67840209	SD4R20-900	Receiver
1050	67843510	SD4T14-1050	Transmitter	67841710	SD4T20-1050	Transmitter
	67843210	SD4R14-1050	Receiver	67840210	SD4R20-1050	Receiver
1200	67843512	SD4T14-1200	Transmitter	67841712	SD4T20-1200	Transmitter
	67843212	SD4R14-1200	Receiver	67840212	SD4R20-1200	Receiver
1350	67843513	SD4T14-1500	Transmitter	67841713	SD4T20-1350	Transmitter
	67843213	SD4R14-1350	Receiver	67840213	SD4R20-1350	Receiver
1500	67843515	SD4T14-1500	Transmitter	67841715	SD4T20-1500	Transmitter
	67843215	SD4R14-1500	Receiver	67840215	SD4R20-1500	Receiver
1650	67843516	SD4T14-1650	Transmitter	67841716	SD4T20-1650	Transmitter
	67843216	SD4R14-1650	Receiver	67840216	SD4R20-1650	Receiver
1800	67843518	SD4T14-1800	Transmitter	67841718	SD4T20-1800	Transmitter
	67843218	SD4R14-1800	Receiver	67840218	SD4R20-1800	Receiver

Test rod included in scope of delivery

Test rod included in scope of delivery

SOLID-4, SOLID-4E

Ordering information

SOLID-4, consisting of transmitter and receiver.
Included in delivery: 2 bracket sets BT-360-SET, 1 connecting and operating instructions manual

Function: Automatic start/restart

Protective field height in mm	SOLID-4			SOLID-4		
	Art. no.	Article	Description	Art. no.	Article	Description
	Resolution: 30 mm			Resolution: 40 mm		
	Range: 0.5 - 9 m			Range: 0.9 - 20 m		
150	67841801	SD4T30-150	Transmitter	67841901	SD4T40-150	Transmitter
	67840601	SD4R30-150	Receiver	67841001	SD4R40-150	Receiver
225	67841802	SD4T30-225	Transmitter	67841902	SD4T40-225	Transmitter
	67840602	SD4R30-225	Receiver	67841002	SD4R40-225	Receiver
300	67841803	SD4T30-300	Transmitter	67841903	SD4T40-300	Transmitter
	67840603	SD4R30-300	Receiver	67841003	SD4R40-300	Receiver
450	67841804	SD4T30-450	Transmitter	67841904	SD4T40-450	Transmitter
	67840604	SD4R30-450	Receiver	67841004	SD4R40-450	Receiver
600	67841806	SD4T30-600	Transmitter	67841906	SD4T40-600	Transmitter
	67840606	SD4R30-600	Receiver	67841006	SD4R40-600	Receiver
750	67841807	SD4T30-750	Transmitter	67841907	SD4T40-750	Transmitter
	67840607	SD4R30-750	Receiver	67841007	SD4R40-750	Receiver
900	67841809	SD4T30-900	Transmitter	67841909	SD4T40-900	Transmitter
	67840609	SD4R30-900	Receiver	67841009	SD4R40-900	Receiver
1050	67841810	SD4T30-1050	Transmitter	67841910	SD4T40-1050	Transmitter
	67840610	SD4R30-1050	Receiver	67841010	SD4R40-1050	Receiver
1200	67841812	SD4T30-1200	Transmitter	67841912	SD4T40-1200	Transmitter
	67840612	SD4R30-1200	Receiver	67841012	SD4R40-1200	Receiver
1350	67841813	SD4T30-1350	Transmitter	67841913	SD4T40-1350	Transmitter
	67840613	SD4R30-1350	Receiver	67841013	SD4R40-1350	Receiver
1500	67841815	SD4T30-1500	Transmitter	67841915	SD4T40-1500	Transmitter
	67840615	SD4R30-1500	Receiver	67841015	SD4R40-1500	Receiver
1650	67841816	SD4T30-1650	Transmitter	67841916	SD4T40-1650	Transmitter
	67840616	SD4R30-1650	Receiver	67841016	SD4R40-1650	Receiver
1800	67841818	SD4T30-1800	Transmitter	67841918	SD4T40-1800	Transmitter
	67840618	SD4R30-1800	Receiver	67841018	SD4R40-1800	Receiver

Test rod included in scope of delivery

Test rod included in scope of delivery

SAFETY LIGHT CURTAINS

Ordering information

SOLID-4, consisting of transmitter and receiver.
Included in delivery: 2 bracket sets BT-360-SET, 1 connecting and operating instructions manual

Function: Automatic start/restart

Protective field height in mm	SOLID-4		
	Resolution: 90 mm Range: 0.9 - 20 m		
	Art. no.	Article	Description
600	67842006	SD4T90-600	Transmitter
	67841406	SD4R90-600	Receiver
750	67842007	SD4T90-750	Transmitter
	67841407	SD4R90-750	Receiver
900	67842009	SD4T90-900	Transmitter
	67841409	SD4R90-900	Receiver
1050	67842010	SD4T90-1050	Transmitter
	67841410	SD4R90-1050	Receiver
1200	67842012	SD4T90-1200	Transmitter
	67841412	SD4R90-1200	Receiver
1350	67842013	SD4T90-1350	Transmitter
	67841413	SD4R90-1350	Receiver
1500	67842015	SD4T90-1500	Transmitter
	67841415	SD4R90-1500	Receiver
1650	67842016	SD4T90-1650	Transmitter
	67841416	SD4R90-1650	Receiver
1800	67842018	SD4T90-1800	Transmitter
	67841418	SD4R90-1800	Receiver

SOLID-4, SOLID-4E

Ordering information

SOLID-4E, consisting of transmitter and receiver.
Included in delivery: 2 bracket sets BT-360-SET, 1 connecting and operating instructions manual

Functions: Automatic start/restart, selectable start/restart interlock, dynamic contactor monitoring, selectable transmission channels

Protective field height in mm	SOLID-4E		
	Art. no.	Article	Description
	Resolution: 14 mm		
	Range: 0.3 - 5 m		
150	67843501	SD4T14-150	Transmitter
	67843401	SD4R14-150E	Receiver
225			
300	67843503	SD4T14-300	Transmitter
	67843403	SD4R14-300E	Receiver
450	67843504	SD4T14-450	Transmitter
	67843404	SD4R14-450E	Receiver
600	67843506	SD4T14-600	Transmitter
	67843406	SD4R14-600E	Receiver
750	67843507	SD4T14-750	Transmitter
	67843407	SD4R14-750E	Receiver
900	67843509	SD4T14-900	Transmitter
	67843409	SD4R14-900E	Receiver
1050	67843510	SD4T14-1050	Transmitter
	67843410	SD4R14-1050E	Receiver
1200	67843512	SD4T14-1200	Transmitter
	67843412	SD4R14-1200E	Receiver
1350	67843513	SD4T14-1500	Transmitter
	67843413	SD4R14-1350E	Receiver
1500	67843515	SD4T14-1500	Transmitter
	67843415	SD4R14-1500E	Receiver
1650	67843516	SD4T14-1650	Transmitter
	67843416	SD4R14-1650E	Receiver
1800	67843518	SD4T14-1800	Transmitter
	67843418	SD4R14-1800E	Receiver

Protective field height in mm	SOLID-4E		
	Art. no.	Article	Description
	Resolution: 20 mm		
	Range: 0.7 - 14 m		
150	67841701	SD4T20-150	Transmitter
	67840401	SD4R20-150E	Receiver
225	67841702	SD4T20-225	Transmitter
	67840402	SD4R20-225E	Receiver
300	67841703	SD4T20-300	Transmitter
	67840403	SD4R20-300E	Receiver
450	67841704	SD4T20-450	Transmitter
	67840404	SD4R20-450E	Receiver
600	67841706	SD4T20-600	Transmitter
	67840406	SD4R20-600E	Receiver
750	67841707	SD4T20-750	Transmitter
	67840407	SD4R20-750E	Receiver
900	67841709	SD4T20-900	Transmitter
	67840409	SD4R20-900E	Receiver
1050	67841710	SD4T20-1050	Transmitter
	67840410	SD4R20-1050E	Receiver
1200	67841712	SD4T20-1200	Transmitter
	67840412	SD4R20-1200E	Receiver
1350	67841713	SD4T20-1350	Transmitter
	67840413	SD4R20-1350E	Receiver
1500	67841715	SD4T20-1500	Transmitter
	67840415	SD4R20-1500E	Receiver
1650	67841716	SD4T20-1650	Transmitter
	67840416	SD4R20-1650E	Receiver
1800	67841718	SD4T20-1800	Transmitter
	67840418	SD4R20-1800E	Receiver

Test rod included in scope of delivery

Test rod included in scope of delivery

If you are interested in the "cable-connected cascading" model, please change the part numbers as follows:

14 mm resolution	678450xx	Transmitter – Host
	678441xx	Receiver – Host
	678470xx	Transmitter – Guest
	678460xx	Receiver – Guest

20 mm resolution	678451xx	Transmitter – Host
	678443xx	Receiver – Host
	678471xx	Transmitter – Guest
	678462xx	Receiver – Guest

Please note the information on page 147

SAFETY LIGHT CURTAINS

Ordering information

SOLID-4E, consisting of transmitter and receiver.
Included in delivery: 2 bracket sets BT-360-SET, 1 connecting and operating instructions manual

Functions: Automatic start/restart, selectable start/restart interlock, dynamic contactor monitoring, selectable transmission channels

Protective field height in mm	SOLID-4E			SOLID-4E		
	Art. no.	Article	Description	Art. no.	Article	Description
	Resolution: 30 mm			Resolution: 40 mm		
	Range: 0.5 - 9 m			Range: 0.9 - 20 m		
150	67841801	SD4T30-150	Transmitter	67841901	SD4T40-150	Transmitter
	67840801	SD4R30-150E	Receiver	67841201	SD4R40-150E	Receiver
225	67841802	SD4T30-225	Transmitter	67841902	SD4T40-225	Transmitter
	67840802	SD4R30-225E	Receiver	67841202	SD4R40-225E	Receiver
300	67841803	SD4T30-300	Transmitter	67841903	SD4T40-300	Transmitter
	67840803	SD4R30-300E	Receiver	67841203	SD4R40-300E	Receiver
450	67841804	SD4T30-450	Transmitter	67841904	SD4T40-450	Transmitter
	67840804	SD4R30-450E	Receiver	67841204	SD4R40-450E	Receiver
600	67841806	SD4T30-600	Transmitter	67841906	SD4T40-600	Transmitter
	67840806	SD4R30-600E	Receiver	67841206	SD4R40-600E	Receiver
750	67841807	SD4T30-750	Transmitter	67841907	SD4T40-750	Transmitter
	67840807	SD4R30-750E	Receiver	67841207	SD4R40-750E	Receiver
900	67841809	SD4T30-900	Transmitter	67841909	SD4T40-900	Transmitter
	67840809	SD4R30-900E	Receiver	67841209	SD4R40-900E	Receiver
1050	67841810	SD4T30-1050	Transmitter	67841910	SD4T40-1050	Transmitter
	67840810	SD4R30-1050E	Receiver	67841210	SD4R40-1050E	Receiver
1200	67841812	SD4T30-1200	Transmitter	67841912	SD4T40-1200	Transmitter
	67840812	SD4R30-1200E	Receiver	67841212	SD4R40-1200E	Receiver
1350	67841813	SD4T30-1350	Transmitter	67841913	SD4T40-1350	Transmitter
	67840813	SD4R30-1350E	Receiver	67841213	SD4R40-1350E	Receiver
1500	67841815	SD4T30-1500	Transmitter	67841915	SD4T40-1500	Transmitter
	67840815	SD4R30-1500E	Receiver	67841215	SD4R40-1500E	Receiver
1650	67841816	SD4T30-1650	Transmitter	67841916	SD4T40-1650	Transmitter
	67840816	SD4R30-1650E	Receiver	67841216	SD4R40-1650E	Receiver
1800	67841818	SD4T30-1800	Transmitter	67841918	SD4T40-1800	Transmitter
	67840818	SD4R30-1800E	Receiver	67841218	SD4R40-1800E	Receiver

Test rod included in scope of delivery

Test rod included in scope of delivery

If you are interested in the "cable-connected cascading" model, please change the part numbers as follows:

30 mm resolution	678452xx	Transmitter – Host	40 mm resolution	678453xx	Transmitter – Host
	678445xx	Receiver – Host		678447xx	Receiver – Host
	678472xx	Transmitter – Guest		678473xx	Transmitter – Guest
	678464xx	Receiver – Guest		678466xx	Receiver – Guest

Please note the information on page 147

Ordering information

SOLID-4E, consisting of transmitter and receiver.
Included in delivery: 2 bracket sets BT-360-SET, 1 connecting and operating instructions manual

Functions: Automatic start/restart, selectable start/restart interlock, dynamic contactor monitoring, selectable transmission channels

Protective field height in mm	SOLID-4E		
	Resolution: 90 mm Range: 0.9 - 20 m		
	Art. no.	Article	Description
600	67842006	SD4T90-600	Transmitter
	67841606	SD4R90-600E	Receiver
750	67842007	SD4T90-750	Transmitter
	67841607	SD4R90-750E	Receiver
900	67842009	SD4T90-900	Transmitter
	67841609	SD4R90-900E	Receiver
1050	67842010	SD4T90-1050	Transmitter
	67841610	SD4R90-1050E	Receiver
1200	67842012	SD4T90-1200	Transmitter
	67841612	SD4R90-1200E	Receiver
1350	67842013	SD4T90-1350	Transmitter
	67841613	SD4R90-1350E	Receiver
1500	67842015	SD4T90-1500	Transmitter
	67841615	SD4R90-1500E	Receiver
1650	67842016	SD4T90-1650	Transmitter
	67841616	SD4R90-1650E	Receiver
1800	67842018	SD4T90-1800	Transmitter
	67841618	SD4R90-1800E	Receiver

If you are interested in the "cable-connected cascading" model, please change the part numbers as follows:

90 mm resolution	678454xx	Transmitter – Host
	678449xx	Receiver – Host
	678474xx	Transmitter – Guest
	678468xx	Receiver – Guest

Note

With cascaded devices, instead of BT-360 mounting brackets, sliding blocks are supplied.

SAFETY LIGHT CURTAINS

Article list for SOLID-4

Safety Light Curtains of the SOLID-4 series

Article	Description
SD4	SOLID-4
t	Device type
T	Transmitter
R	Receiver
rr	Resolution/range
14	14 mm / range 0.3 - 6 m
20	20 mm / range 0.7 - 14 m
30	30 mm / range 0.5 - 9 m
40	40 mm / range 0.9 - 20 m
90	90 mm / range 0.9 - 20 m
hhh	Protective field height
	150...3000 mm
	Function package (receiver only)
E	With selectable start/restart interlock, contactor monitoring and transmission channels
k	Design
Without	Standard design
H	Host
G	Guest
L	L-Shape
U	U-Shape
L1	L-Shape 45°

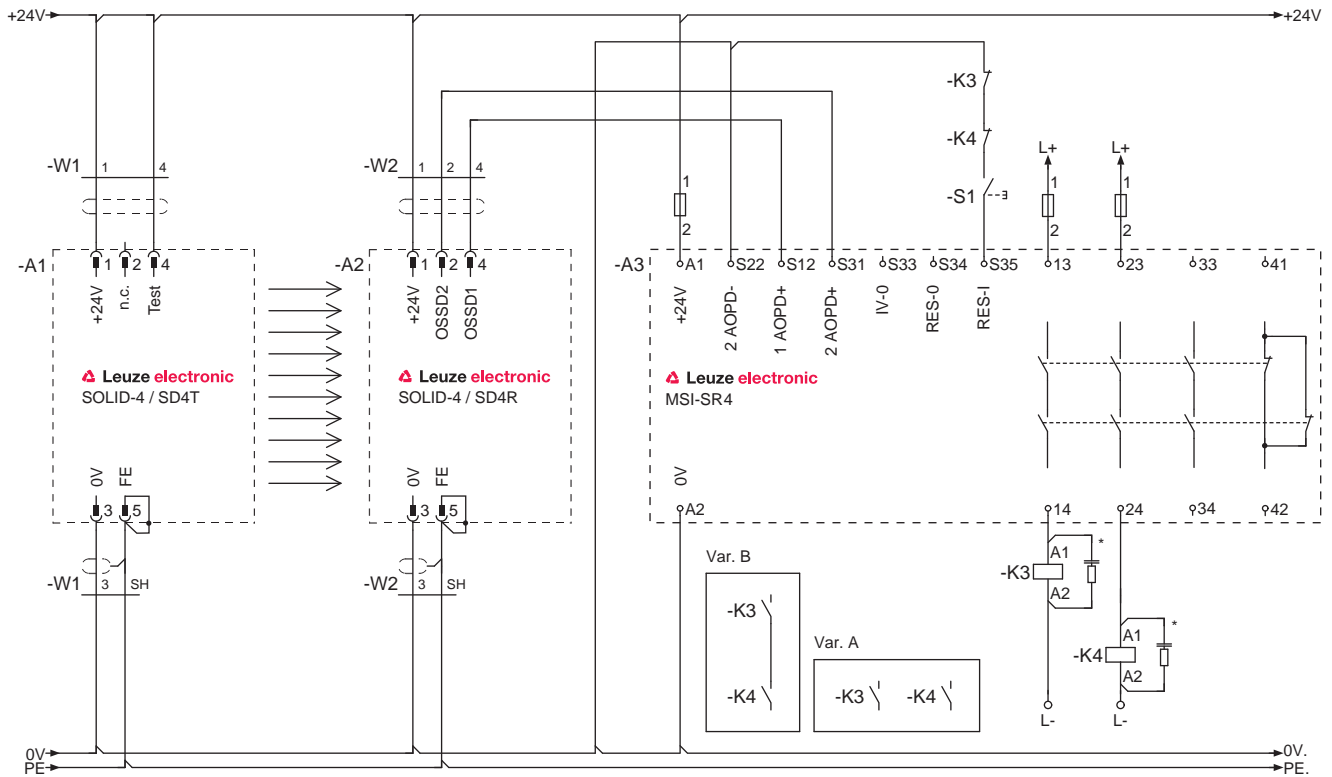
SD4 t rr -hhh k

Note

The Host, L-Shape, U-Shape, L-Shape 45° models are available only in combination with the function package "E".

Electrical connection

SOLID-4 connection example



*) Spark extinction circuit, supply suitable spark extinction

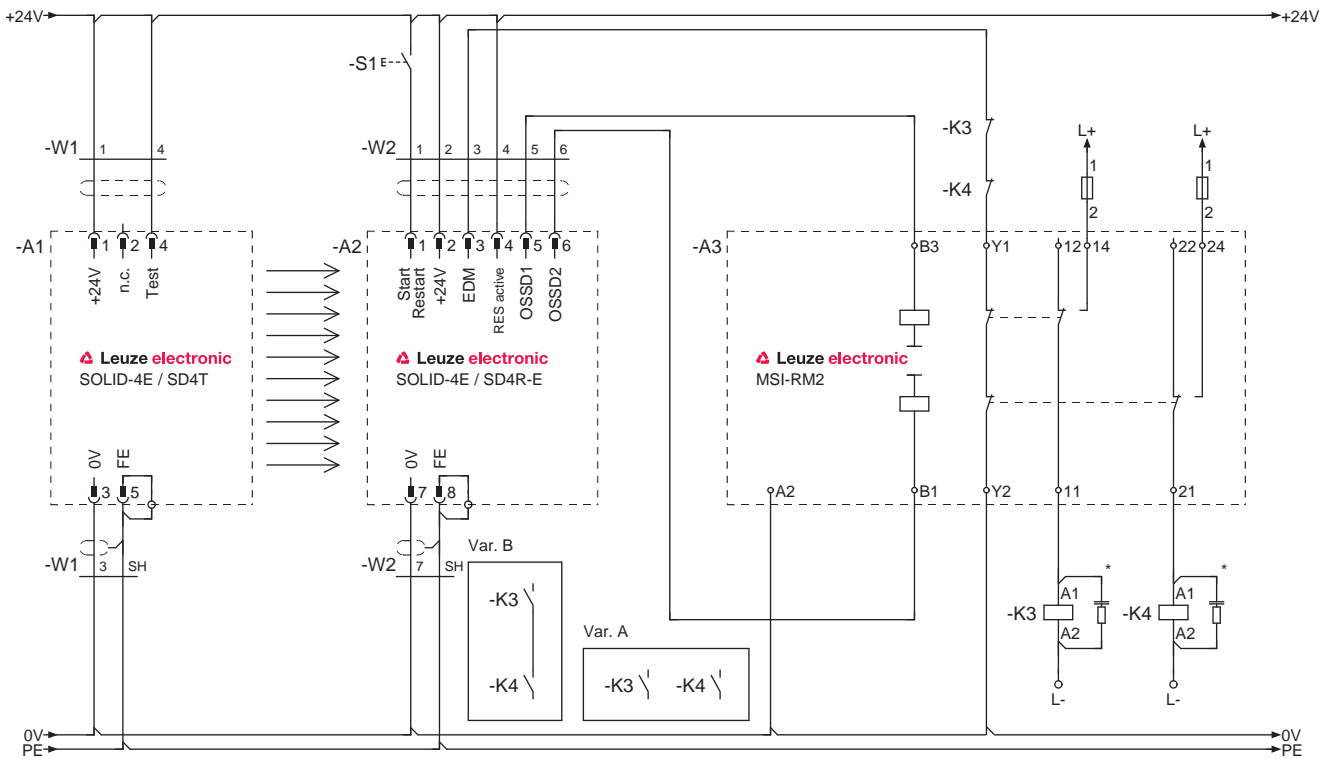
SOLID-4 with MSI-SR4 Safety Relay

! Please observe the operating instructions of the components!

SAFETY LIGHT CURTAINS


Electrical connection

SOLID-4E connection example



*) Spark extinction circuit, supply suitable spark extinction

SOLID-4E with MSI-RM2 Safety Relay

 Please observe the operating instructions of the components!

Technical data

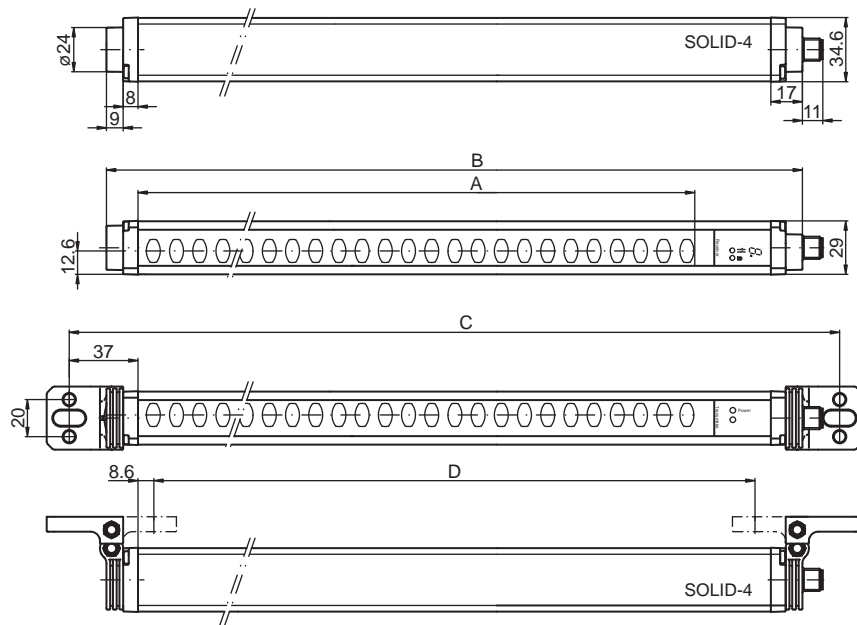
General system data					
Type in accordance with IEC/EN 61496	Type 4				
SIL in accordance with IEC 61508 and SILCL in accordance with IEC/EN 62061	SIL 3				
Performance Level (PL) in accordance with EN ISO 13849-1	PL e				
Probability of a failure to danger per hour (PFH _d)	For protective heights up to 900 mm, all resolutions		6.00 x 10 ⁻⁹ 1/h		
	For protective heights up to 1800 mm, all resolutions		7.30 x 10 ⁻⁹ 1/h		
	For protective heights up to 2850 mm		8.40 x 10 ⁻⁹ 1/h		
Service life (T _M) in accordance with EN ISO 13849-1	20 years				
Category in accordance with EN ISO 13849	4				
Resolution	14 mm	20 mm	30 mm	40 mm	90 mm
Range	0.3...6 m	0.7...14 m	0.5...9 m	0.9...20 m	0.9...20 m
Response time (depends on protective field height)	11...31 ms		6...16 ms	6...16 ms	8...11 ms
Protective field height	150...1800 mm				600...1800 mm
Synchronization	Optical via transmitter and receiver				
Supply voltage	24 V DC, ±20 %				
Connection cable length	Max. 100 m with 0.25 mm ²				
Safety class	III				
Protection rating	IP 65				
Ambient temperature, operation	0...+50 °C				
Ambient temperature, storage	-25...+70 °C				
Relative humidity	15...95 %				
Profile cross-section	30 mm x 34 mm				
Weight per device (length-dependent)	0.30...1.90 kg				
Transmitter					
Transmitter diodes, class in accordance with EN 60825	1				
Wavelength	950 nm				
Current consumption	75 mA				
Connection system	M12 plug, 5-pin				
External test input	24 V DC, max. 20 mA				
Receiver					
Current consumption	110 mA without external load				
Safety-related switching outputs (OSSDs)	2 pnp transistor outputs (short circuit-proof, cross-circuit monitored)				
Switching voltage high active	Min. U _v -2.2 V				
Switching voltage low	Max. 2.8 V				
Switching current	Typical, 250 mA				
SOLID-4 connection system	M12 plug, 5-pin				
SOLID-4E connection system	M12 plug, 8-pin				

Please note the additional information in the SOLID-4 Connecting and Operating Instructions at www.leuze.com/solid.

SAFETY LIGHT CURTAINS

Dimensional drawings

SOLID-4/SOLID-4E Safety Light Curtain



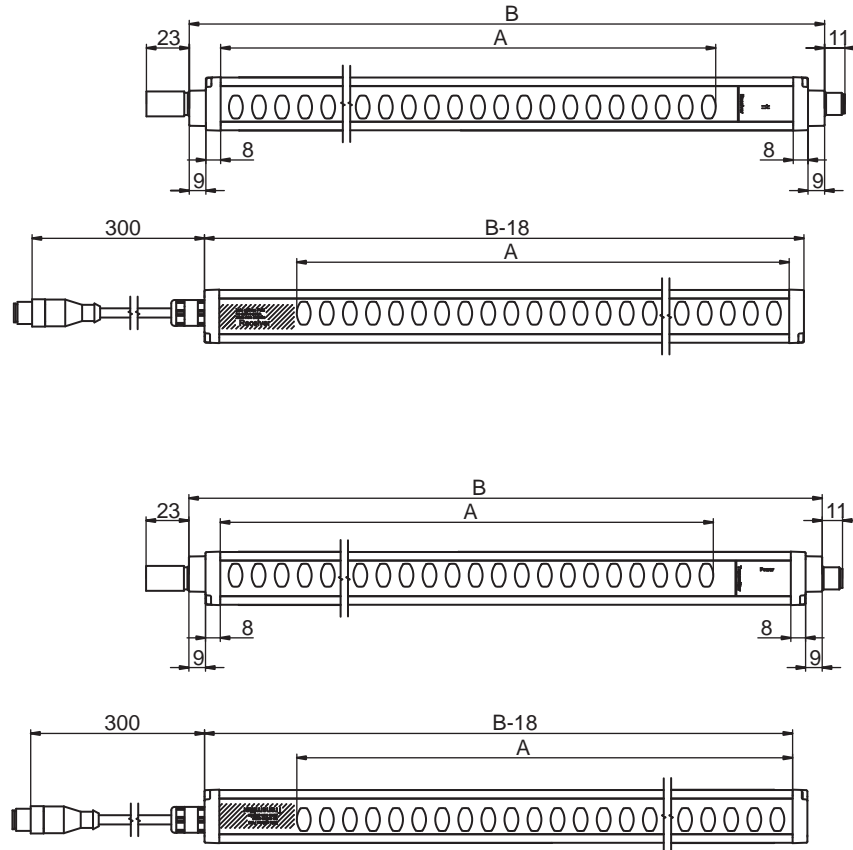
- A = Protective field height according to ordering information
- B = A + 75.5 mm
- C = A + 115.5 mm
- D = A + 24.3 mm

Dimensions in mm

Our 3D CAD models can be found under: www.leuze.com/3d-cad-models.

Dimensional drawings

Version as cable-connected cascading host-guest



A = Protective field height according to ordering information
 B = A + 75.5 mm

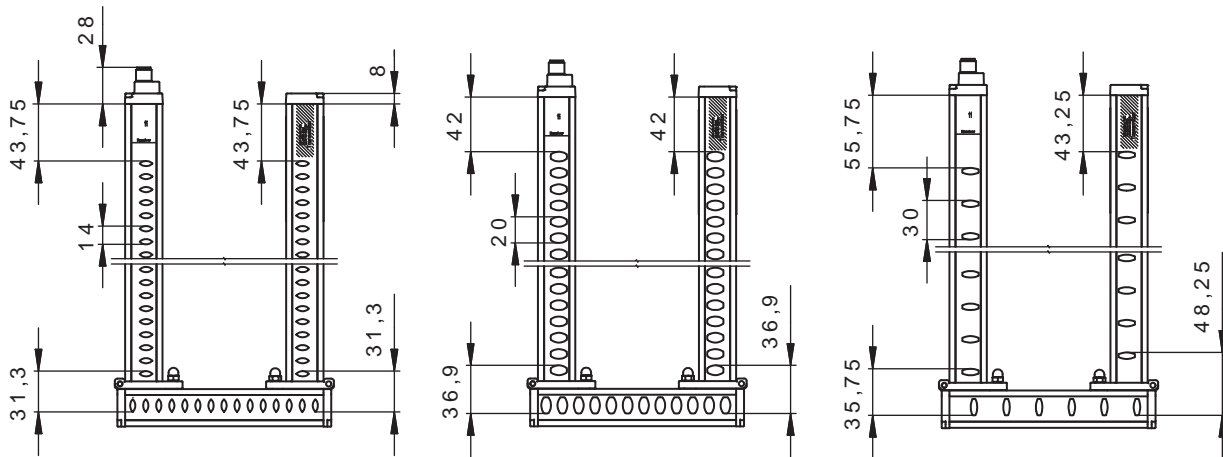
Dimensions in mm

Note

With cascaded devices, instead of BT-360 mounting brackets, sliding blocks are supplied.

Dimensional drawings

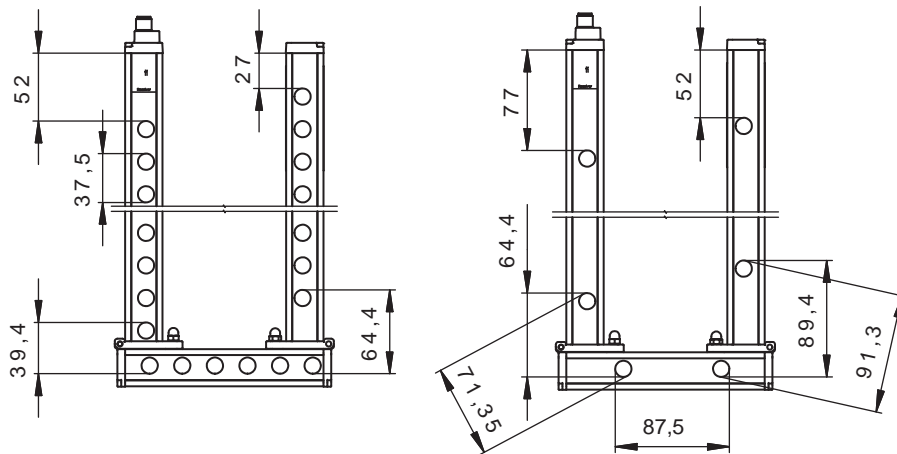
Version as fixed cascading L/U-Shape



14 mm

20 mm

30 mm



40 mm

90 mm

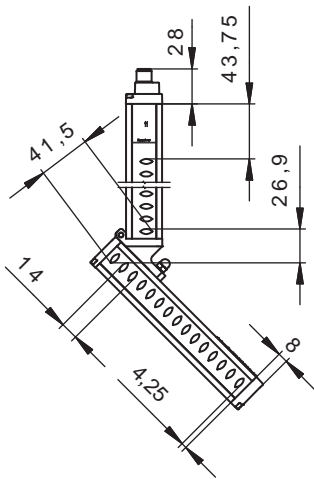
Resolutions of the various L/U-Shape models

Dimensions in mm

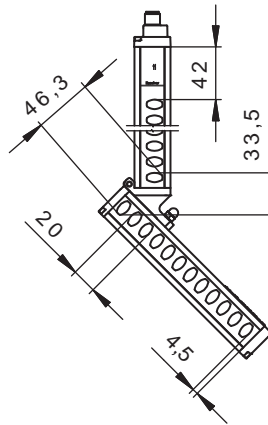
i Note

Order numbers for L- and U-Shape device versions are available on request. L- and U-Shape device versions are only available with uniform resolution on all forks. With cascaded devices, instead of BT-360 mounting brackets, sliding blocks are supplied.

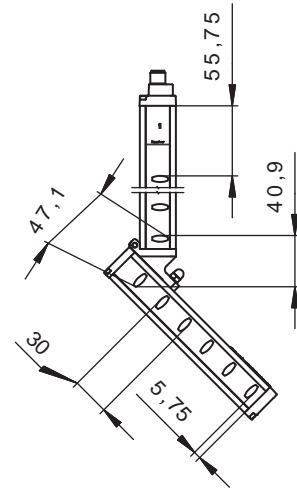
Version as fixed cascading L1-Shape



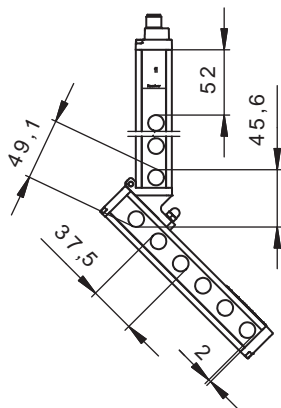
14 mm



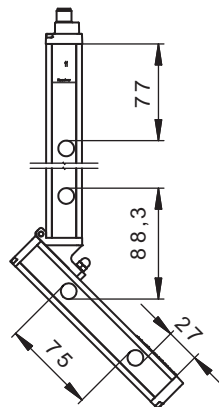
20 mm



30 mm



40 mm



90 mm

Resolutions of the various L1-Shape models

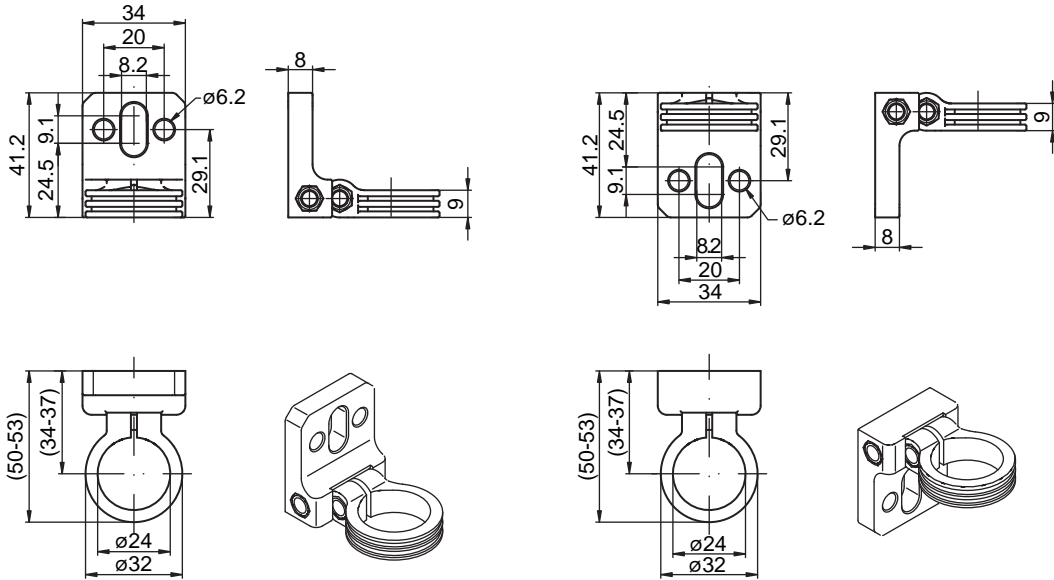
Note

Order numbers for L- and U-Shape device versions are available on request. L- and U-Shape device versions are only available with uniform resolution on all forks. With cascaded devices, instead of BT-360 mounting brackets, sliding blocks are supplied.

SAFETY LIGHT CURTAINS

Dimensional drawings: Accessories

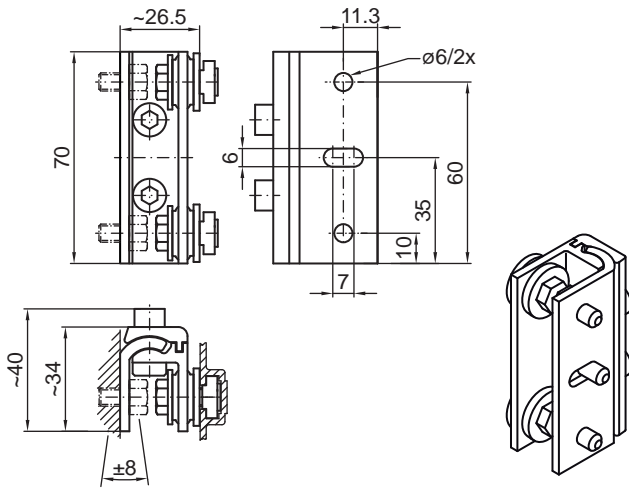
Brackets



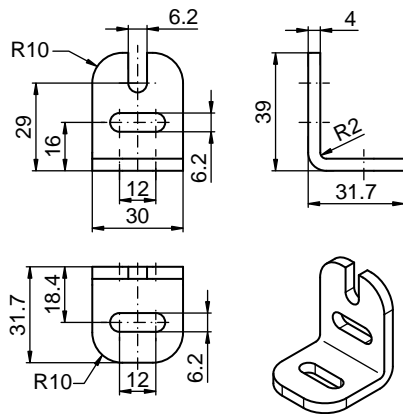
Bracket, 360° rotation, BT-360

Dimensions in mm

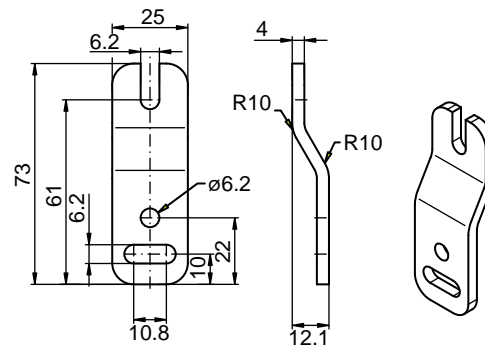
Brackets



Mounting bracket, swiveling with shock absorber, BT-SSD



L-mounting bracket, BT-L



Z-mounting bracket, BT-Z

SAFETY LIGHT CURTAINS

Accessories ordering information

Art. no.	Article	Description	Length, design
Installation accessories			
429050	BT-360	Bracket, 360° rotation	
429051	BT-L	L-mounting bracket	
429052	BT-Z	Z-mounting bracket	
429055	BT-360-SET	Mounting bracket set, consisting of 2 BT-360°	
429056	BT-L-mounting set	Mounting bracket set, consisting of 2 BT-L	
429057	BT-Z-mounting set	Mounting bracket set, consisting of 2 BT-Z	
560300	BT-SSD	Swiveling support with shock absorber incl. 2 screws and 2 sliding blocks	
Connecting cables, 5-pin for SOLID-4 Transmitter			
429071	CB-M12-5000S-5GF	Connecting cable shielded with M12 coupling, 5-pin	5 m, straight/open end
429072	CB-M12-5000S-5WF	Connecting cable shielded with M12 coupling, 5-pin	5 m, angled/open end
429073	CB-M12-10000S-5GF	Connecting cable shielded with M12 coupling, 5-pin	10 m, straight/open end
429074	CB-M12-10000S-5WF	Connecting cable shielded with M12 coupling, 5-pin	10 m, angled/open end
429075	CB-M12-15000S-5GF	Connecting cable shielded with M12 coupling, 5-pin	15 m, straight/open end
429076	CB-M12-15000S-5WF	Connecting cable shielded with M12 coupling, 5-pin	15 m, angled/open end
429171	CB-M12-25000S-5GF	Connecting cable shielded with M12 coupling, 5-pin	25 m, straight/open end
429172	CB-M12-25000S-5WF	Connecting cable shielded with M12 coupling, 5-pin	25 m, angled/open end

Accessories ordering information

Art. no.	Article	Description	Length, design
Connecting cables, 8-pin for SOLID-4E Receiver			
429081	CB-M12-5000S-8GF	Connecting cable shielded with M12 coupling, 8-pin	5 m, straight/open end
429082	CB-M12-5000S-8WF	Connecting cable shielded with M12 coupling, 8-pin	5 m, angled/open end
429083	CB-M12-10000S-8GF	Connecting cable shielded with M12 coupling, 8-pin	10 m, straight/open end
429084	CB-M12-10000S-8WF	Connecting cable shielded with M12 coupling, 8-pin	10 m, angled/open end
429085	CB-M12-15000S-8GF	Connecting cable shielded with M12 coupling, 8-pin	15 m, straight/open end
429086	CB-M12-15000S-8WF	Connecting cable shielded with M12 coupling, 8-pin	15 m, angled/open end
429181	CB-M12-25000S-8GF	Connecting cable shielded with M12 coupling, 8-pin	25 m, straight/open end
429182	CB-M12-25000S-8WF	Connecting cable shielded with M12 coupling, 8-pin	25 m, angled/open end
Laser Alignment Aids			
560020	LA-78U	Laser Alignment Aid for lateral mounting with use for COMPACT <i>plus</i> /SOLID	
Power supplies			
520061	LOGO! Power	Power supply, 120/230 V AC --> 24 V DC / 1.3 A, regulated	
Test rods			
349939	AC-TB20/40	Test rod, 20 mm / 40 mm	
349945	AC-TR14/30	Test rod, 14 mm / 30 mm	
Protective screens, see accessories, page 494			