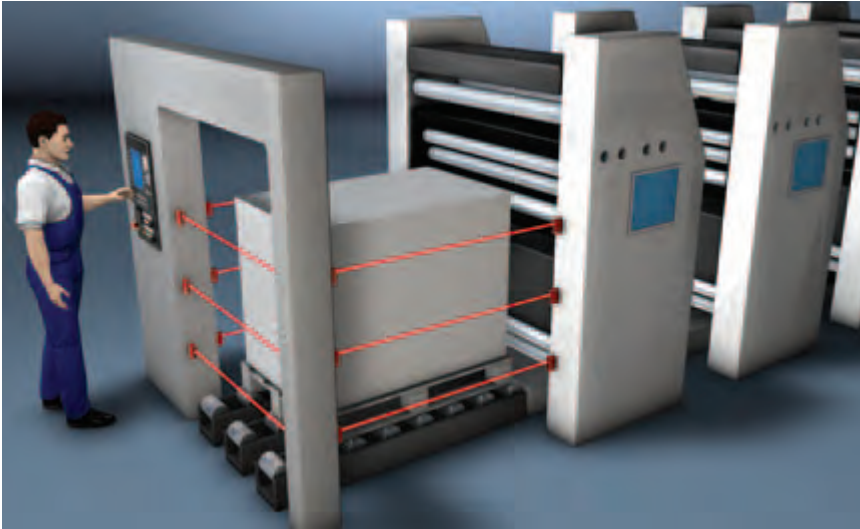


SINGLE LIGHT BEAM SAFETY DEVICES

SLSR 8



Guarding a sheet-fed printing machine with an SLSR 8 Single Light Beam Safety Device

Versatile Single Light Beam Safety Devices are used in the printing and packaging area. It is an advantage here to use a Light Beam Safety Device that combines numerous functions in itself. Because of its functional diversity, the SLSR 8 Light Beam Device is a true multi-talent. It has an active ambient light suppression and push-pull switching outputs, and many more features. It is protected by a robust metal housing that provides IP 67 protection rating and can be used in tough industrial conditions in a temperature range from -40 to $+60^{\circ}\text{C}$. Together with a Test Monitoring Unit such as TNT 35 or a configurable MSI Safety Relay, the SLSR 8 forms a type 2 active opto-electronic protective device.

Typical areas of application

- Access guarding on printing and packaging machinery

Important technical data, overview

| | |
|--|---|
| Type in accordance with IEC/EN 61496 | Type 2 in combination with a Safety Interface or a Test Monitoring Unit |
| Category in accordance with EN ISO 13849 | 2 |
| Operating range | 0...10 m |
| Operating voltage, U _B | 10... 30 V DC (incl. residual ripple) |
| Dimensions (WxHxD) | 15 mm x 65.5 mm x 38 mm |
| Housing | Metal |
| Switching outputs | 2 push-pull switching outputs Pin 2: pnp dark-on, npn light-on Pin 4: pnp light-on, npn dark-on |
| Connection system | M12 round pin plug |

Functions

LED display

Activation input for test and series connection

Active ambient light suppression (A²LS)

Function extension

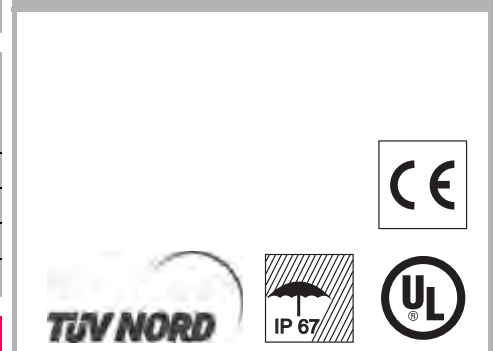
| With Safety Interface | Relay output | RES | EDM | Muting | Further details |
|-----------------------|--------------|-----|-----|--------|-----------------|
| TNT 35 | ● | ● | ● | | p. 478 |
| MSI-s | ● | ● | ● | | p. 450 |
| MSI-sx | ● | ● | ● | | p. 450 |
| MSI-m | ● | ● | ● | ● | p. 464 |

Special features

- Push-pull switching outputs for light/dark switching and as control function
- Selectable connection direction via swivel M12 plug



Features



Further information

| Further information | Page |
|---|------|
| ● Ordering information | 286 |
| ● Electrical connection, see LS763 connection example | 281 |
| ● Technical data | 286 |
| ● Dimensional drawings | 288 |
| ● Accessories ordering information | 288 |

Machine Safety

Machine Safety Services

Safety Engineering Software

Safety Laser Scanners

Safety Light Curtains

Multiple Light Beam Safety Devices

Safety Sensor Sets

Single Light Beam Safety Devices

AS-Interface Safety at Work

PROFIsafe Sensors

SINGLE LIGHT BEAM SAFETY DEVICES

Ordering information

SLSR 8, consisting of transmitter and receiver

Functions: Activation input for test and series connection, active ambient light suppression (A²LS)

| Art. no. | Article | Description | Connection system |
|----------|----------------|-------------------------------|---------------------------|
| 50038791 | SLSSR 8.8-S12 | Transmitter, metal, red light | M12 round pin plug, 5-pin |
| 50038792 | SLSER 8/66-S12 | Receiver, metal, red light | M12 round pin plug, 5-pin |

Electrical connection

See LS763 connection example, page 281.

Technical data

General system data

| | |
|---|---|
| Type in accordance with IEC/EN 61496 | Type 2 in combination with a Safety Interface or a Test Monitoring Unit |
| Service life (T _M) in accordance with EN ISO 13849-1 | 20 years |
| Category in accordance with EN ISO 13849 | 2 |
| Mean time to dangerous failure (MTTF _d) in accordance with EN ISO 13849-1 | On request |
| Operating range | 0...10 m |
| Response time | 2 ms |
| Operating voltage, U _B | 10... 30 V DC (incl. residual ripple) |
| Safety class | II |
| Protection rating | IP 67 |
| Ambient temperature, operation | -20...+60 °C |
| Ambient temperature, storage | -40...+70 °C |
| Housing | Metal |
| Weight (transmitter and receiver) | 70 g |

Transmitter

| | |
|---|---|
| Current consumption | 35 mA |
| Transmitter diodes, class in accordance with EN 60825 | 1 |
| Light source | Red light |
| Wavelength | 660 nm |
| Activation input for test and series connection | 24 V DC Active ≥ 8 V Inactive ≤ 2 V |
| Connection system | M12 round pin plug, 5-pin |

Technical data

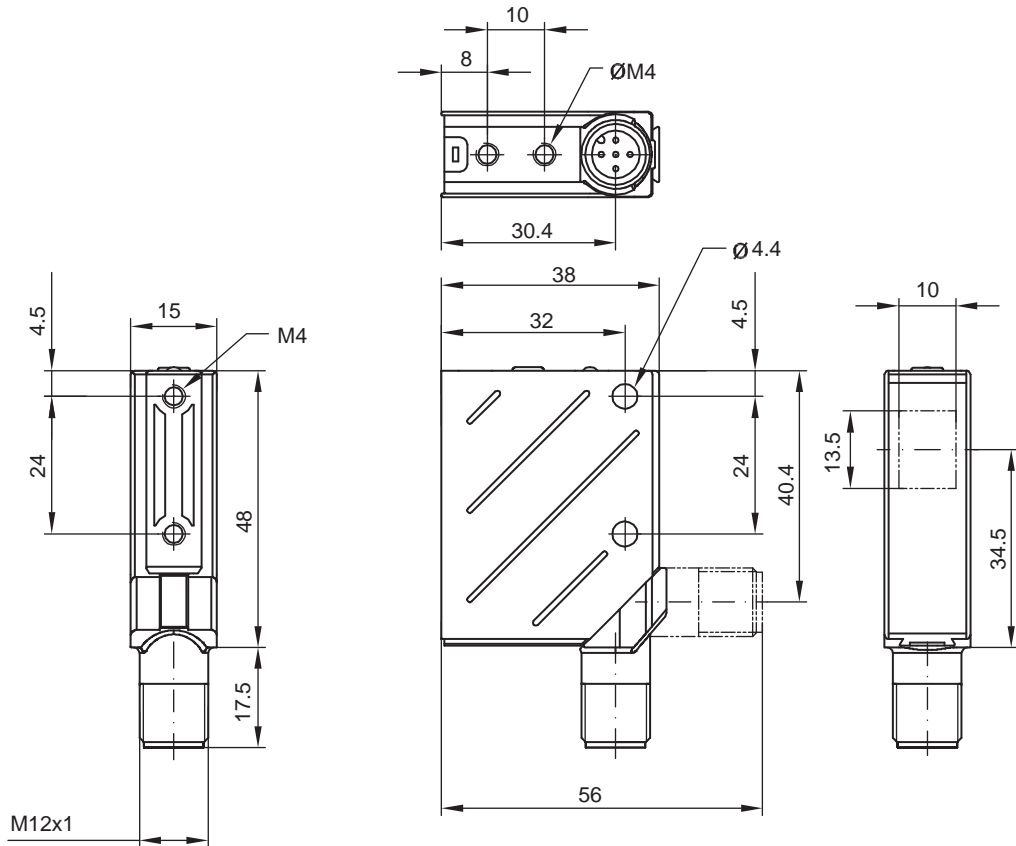
| Receiver | |
|-------------------------------|---|
| Current consumption | 35 mA without external load |
| Switching outputs | 2 push-pull switching outputs Pin 2: pnp dark-on, npn light-on Pin 4: pnp light-on, npn dark-on |
| Switching voltage high active | Min. $U_v - 2\text{ V}$ |
| Switching voltage low | Max. 2 V |
| Output current | Max. 100 mA |
| Connection system | M12 round pin plug, 5-pin |

Please note the additional information at www.leuze.com/sls.

SINGLE LIGHT BEAM SAFETY DEVICES

Dimensional drawings

SLSR 8 Single Light Beam Safety Device



Dimensions in mm

Accessories ordering information

| Art. no. | Article | Description | Length, design |
|--------------------------|--------------------|---|----------------|
| Connection cables | | | |
| 50104545 | K-D M12W-4P-5m-PVC | Connecting cable, 5 m, M12, 4-pin | Angled, PVC |
| 50104544 | K-D M12A-4P-5m-PVC | Connecting cable, 5 m, M12, 4-pin | Axial, PVC |
| Deflecting Mirror | | | |
| 50000670 | US 1 | Deflecting Mirror | |
| 50017434 | US 2 | Deflection mirror on mounting plate, can be turned by 90° | |