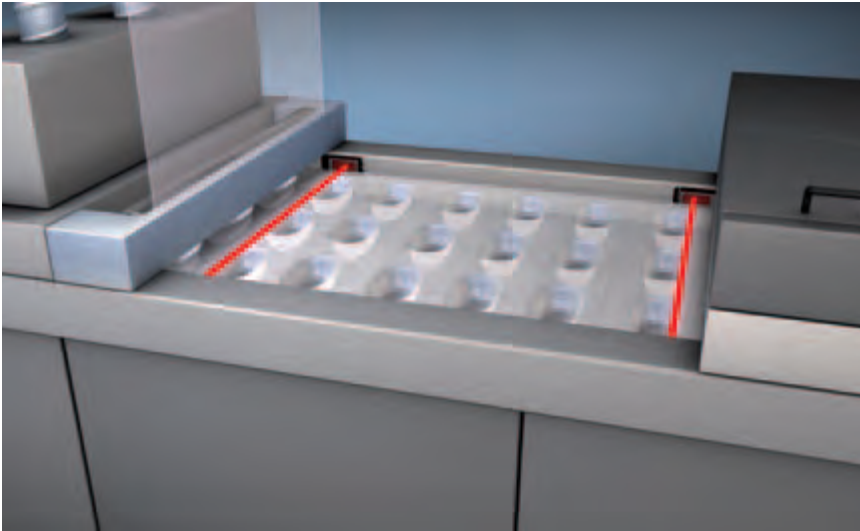


SINGLE LIGHT BEAM SAFETY DEVICES

SLSR 25B



SLSR 25B Single Light Beam Safety Devices are used when connecting, welding and separating, on plastic wrap packaging machines, for example

Typical areas of application

- Point of operation guarding on palletizer systems, wood processing and packaging machinery

SLSR 25B Light Beam Safety Device provides the same advantages as the SLSR 46B. Just like the SLSR 46B, it is also a costs-optimized alternative for ranges up to 20 and 40 meters (with the SLSR 46B).

It is particularly special because of its small dimensions for this performance class.

The visible red light makes aligning so much easier. The SAT-5 alignment aid also provides an innovative alignment tool, especially for big ranges. The SAT-5 uses the sensor beam for aligning. Together with a Test Monitoring Unit such as TNT 35 or a configurable MSI Safety Relay, the SLSR 25B forms a type 2 active opto-electronic protective device.

Important technical data, overview

Type in accordance with IEC/EN 61496	Type 2 in combination with a Safety Interface or a Test Monitoring Unit
Category in accordance with EN ISO 13849	2
Operating range	0.5...20 m
Operating voltage, U _B	10... 30 V DC (incl. residual ripple)
Dimensions (WxHxD)	15.0 x 51.3 x 28.8 mm
Housing	Plastic
Switching output	2 push-pull switching outputs Pin 2: pnp dark-on, npn light-on Pin 4: pnp light-on, npn dark-on
Connection system	Cable, 2 m, M8 round pin plug, M12 round pin plug

Functions

LED display

Activation input for test and series connection

Active ambient light suppression (A²LS)

Function extension

SLSR 25B

With Safety Interface	Relay output	RES	EDM	Muting	Further details
TNT 35	●	●	●		p. 478
MSI-s	●	●	●		p. 450
MSI-sx	●	●	●		p. 450
MSI-m	●	●	●	●	p. 464

Special features

- **Single Light Beam Safety Devices with visible red light and high functional reserve**
- **Solid plastic housing with IP 67 protection rating for industrial use**
- **Wide voltage range from 10 to 30 V with pnp transistor output for PLC applications**
- **All standard connection variants**



Features



Further information

Further information	Page
● Ordering information	292
● Electrical connection, see LS763 connection example	281
● Technical data	292
● Dimensional drawings	294
● Accessories ordering information	295

SINGLE LIGHT BEAM SAFETY DEVICES

Ordering information

SLSR 25B, consisting of transmitter and receiver

Functions: Activation input for test and series connection

Art. no.	Article	Description	Connection system
50108489	SLSSR 25B.8-S12	Transmitter, plastic, red light	M12 round pin plug, 4-pin
50108492	SLSER 25B/66-S12	Receiver, plastic, red light	M12 round pin plug, 4-pin
50108490	SLSSR 25B.8-S8	Transmitter, plastic, red light	M8 round pin plug, 4-pin
50108493	SLSER 25B/66-S8	Receiver, plastic, red light	M8 round pin plug, 4-pin
50108491	SLSSR 25B.8	Transmitter, plastic, red light	Cable, 2 m
50108494	SLSER 25B/66	Receiver, plastic, red light	Cable, 2 m
50110151	SLSSR 25B.8.200-S12	Transmitter, plastic, red light	Cable, M12 round pin plug
50110152	SLSER 25B/66.200-S12	Receiver, plastic, red light	Cable, M12 round pin plug

Electrical connection

See LS 763 connection example, page 281.

Technical data

General system data

Type in accordance with IEC/EN 61496	Type 2 in combination with a configurable MSI Safety Relay or a Test Monitoring Unit
Service life (T_M) in accordance with EN ISO 13849-1	20 years
Category in accordance with EN ISO 13849	2
Mean time to dangerous failure ($MTTF_d$) in accordance with EN ISO 13849-1	425.9 years
Operating range	0.5...20 m
Response time	5 ms
Operating voltage, U_B	10... 30 V DC (incl. residual ripple)
Safety class	II
Protection rating	IP 67, IP 69K
Ambient temperature, operation	-30...+55°C
Ambient temperature, storage	-30... +60°C
Dimensions (WxHxD)	15.0 x 51.3 x 28.8 mm
Housing	Plastic
Weight (transmitter with receiver)	30 g (plug variant), 60 g (cable variant)

Technical data

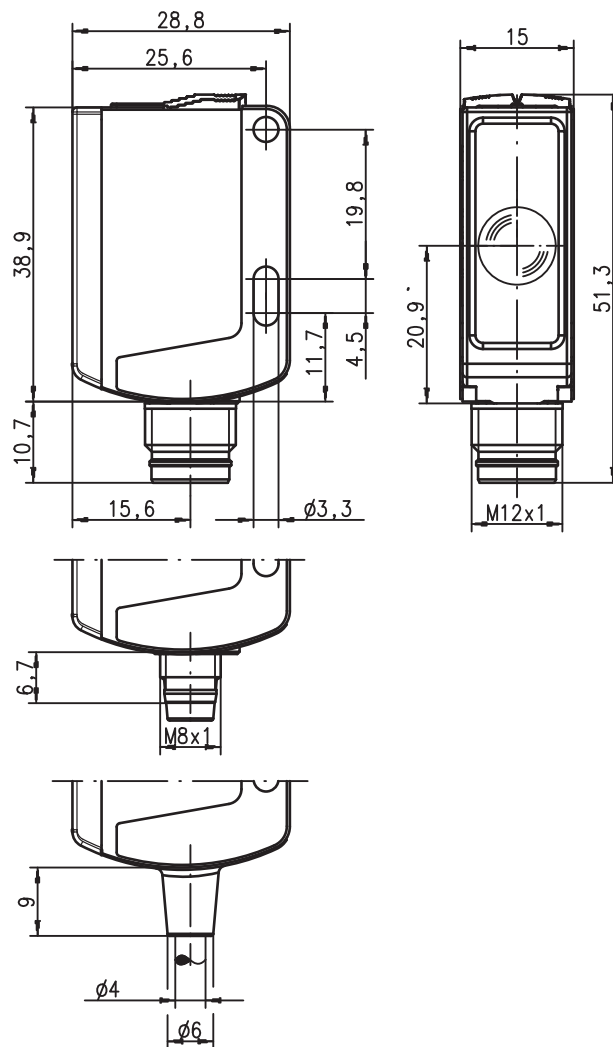
Transmitter	
Current consumption	30 mA
Transmitter diodes, class in accordance with EN 60825	1
Light source	Red light
Wavelength	624 nm
Activation input for test and series connection	Active ≥ 8 V Inactive ≤ 2 V
Connection system	Cable, 2 m, M8 round pin plug, M12 round pin plug
Receiver	
Current consumption	30 mA without external load
Switching output	2 push-pull switching outputs Pin 2: pnp dark-on, npn light-on Pin 4: pnp light-on, npn dark-on
Switching voltage high active	Min. $U_v - 2$ V
Switching voltage low	Max. 2 V
Output current	Max. 100 mA
Connection system	Cable, 2 m, M8 round pin plug, M12 round pin plug

Please note the additional information at www.leuze.com/sls.

SINGLE LIGHT BEAM SAFETY DEVICES

Dimensional drawings

SLSR 25B Single Light Beam Safety Device



Dimensions in mm

Accessories ordering information

Art. no.	Article	Description	Length, design
Connection cables			
50104545	K-D M12W-4P-5m-PVC	Connecting cable, 5 m, M12, 4-pin	Angled, PVC
50104544	K-D M12A-4P-5m-PVC	Connecting cable, 5 m, M12, 4-pin	Axial, PVC
Alignment aids, see page 301			
Deflecting Mirror, see page 492			