

GSL 04

Laser forked photoelectric sensors

Part No. 501 10847

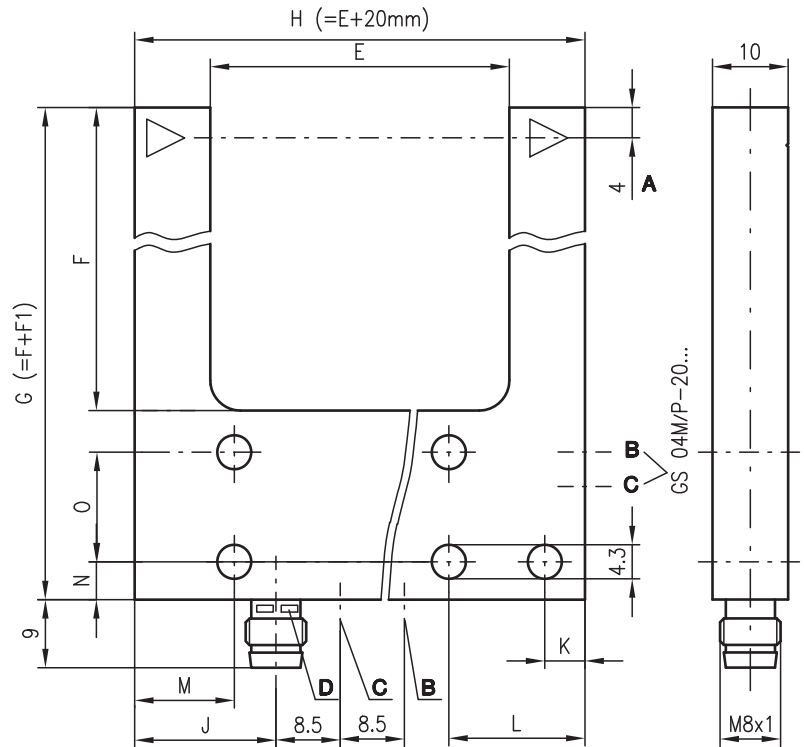


30/50/80 mm



- Laser-generated red light for high-precision applications
- Sensitivity adjustment and light/dark switching for optimal adaptation to the application
- Sensitivity adjustment on the back of the fork
- Robust metal housing and glass optics for protection against environmental influences

Dimensioned drawing

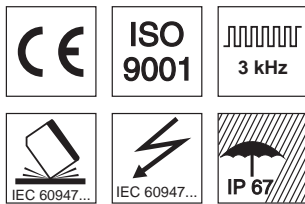
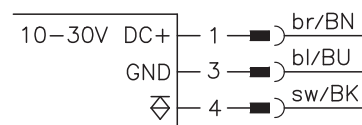


- A** Optical axis
- B** Sensitivity adjustment
- C** Light/dark switching
- D** Indicator diode

	E Mw	F Mt	F1	G	H	J	K	L	M	N	O
GSL 04M/...-30...	30	34	25	59	50	12	4,5	12,5	4,5	4,5	-
GSL 04M/...-50...	50	54	25	79	70	12	4,5	12,5	4,5	4,5	-
GSL 04M/...-80...	80	54	25	79	100	12	4,5	12,5	4,5	4,5	-

Electrical connection

GSL 04M/P...



Accessories:

(available separately)

- M8 connectors (KD ...)
- Cable with M8 connector (K-D...)

We reserve the right to make changes • gs_A39gb.fm

Specifications

Optical data

Mouth width 30/50/80 mm
 Light source laser, pulsed
 Wavelength 650nm red light

Timing

Switching frequency 5000Hz
 Response time 0.1ms
 Delay before start-up ≤ 100ms

Electrical data

Operating voltage U_B 1) 10 ... 30VDC (incl. residual ripple)
 Residual ripple ≤ 15% of U_B
 Open-circuit current ≤ 35mA
 Switching output PNP transistor output
 Function characteristics light/dark switching reversible
 Signal voltage high/low $\geq (U_B - 2V) / \leq 2V$
 Output current 200mA
 Sensitivity adjustable (potentiometer, adjustment range 0 ... 270°)

Indicators

Red LED state of switching output

Mechanical data

Housing diecast zinc
 Weight see order guide
 Optics cover glass
 Connection type M8 connector, 3-pin

Environmental data

Ambient temp. (operation/storage) -10°C ... +60°C/-20°C ... +70°C
 Protective circuit 2) 1, 2
 VDE safety class III
 Protection class IP 67
 Laser class 2 (acc. to EN 60825-1)

1) Functional extra-low voltage with reliable disconnection or protective extra-low voltage (VDE 0100/T 410)
 2) 1=polarity reversal protection, 2=short-circuit protection for all outputs

Mouth width [mm]	Smallest detectable object [mm]	Reproducibility [µm]	Switching hysteresis [µm]
30	0,05	10	≤ 20
50	0,08	10	≤ 25
80	0,1	10	≤ 30

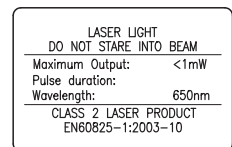
Order guide

Selection table	Order code →		
	GSL 04M/P-30-S8 Part No. 501 10793	GSL 04M/P-50-S8 Part No. 501 10794	GSL 04M/P-80-S8 Part No. 501 10795
Equipment ↓			
Mouth width [mm]	30	50	80
Weight in g	36	54	77

Tables

Diagrams

Remarks



Approved purpose:

The forked photoelectric sensors are optical electronic sensors for optical, contactless detection of objects.