

Technical data

| | |
|---------------------------------------|------|
| Permissible radial and axial forces - | |
| Output _____ | 7-2 |
| Start-up efficiency _____ | 7-4 |
| Ratios _____ | 7-5 |
| Ventilation _____ | 7-11 |
| Position of ventilation, sealing | |
| elements and oil control _____ | 7-11 |
| Weights _____ | 7-12 |

Selection tables

| | |
|--|------|
| Synchronous geared servo motors _____ | 7-13 |
| Naturally ventilated _____ | 7-13 |
| Forced ventilated _____ | 7-22 |
| Asynchronous geared servo motors _____ | 7-26 |
| Naturally ventilated _____ | 7-26 |
| Forced ventilated _____ | 7-39 |

Dimensions

| | |
|---|------|
| Geared servo motors with resolver _____ | 7-47 |
| 2-stage _____ | 7-47 |
| 3-stage _____ | 7-51 |
| Further dimensions _____ | 7-55 |
| Hollow shaft with shrink disc _____ | 7-55 |
| Gearbox with 2nd output shaft end _____ | 7-56 |
| Hoseproof hollow shaft cover _____ | 7-57 |
| Torque plate at pitch circle _____ | 7-58 |
| Torque plate at housing foot _____ | 7-59 |
| Mounting set for hollow shaft circlip _____ | 7-60 |
| Proposed design for auxiliary tools _____ | 7-60 |

Technical data - Helical-worm gearboxes

Permissible radial and axial forces - Output

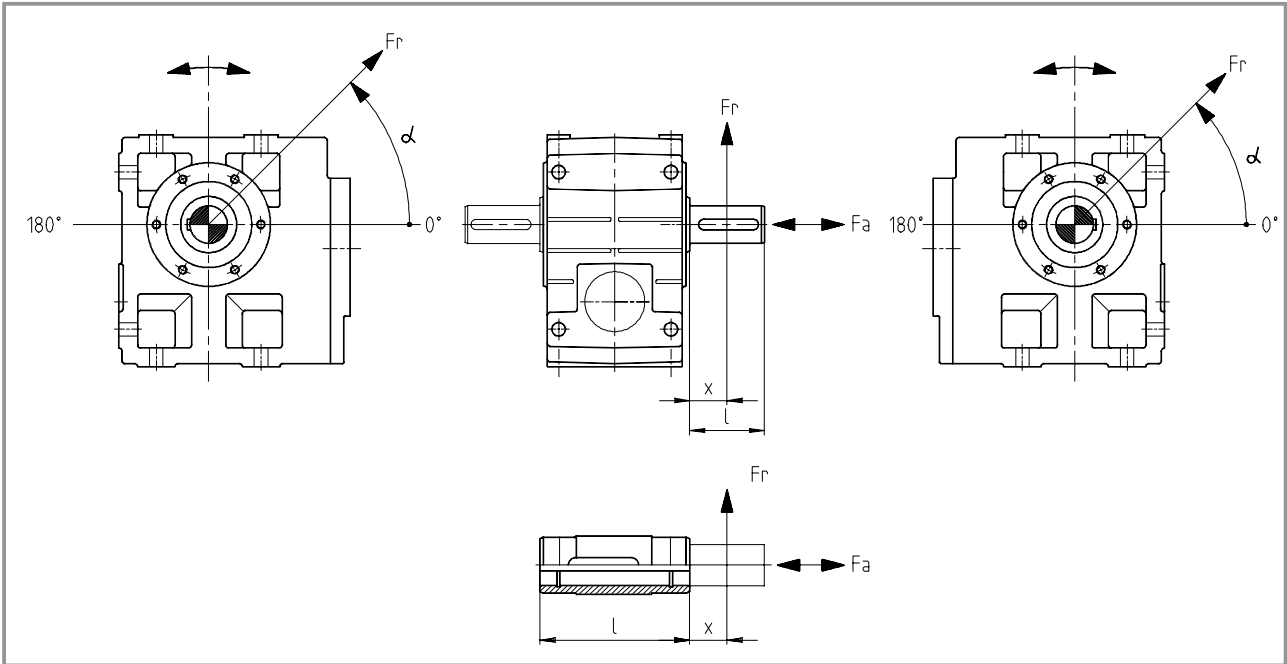
Permissible radial force

$$F_{rperm} = \min(f_w \cdot f_\alpha \cdot F_{rTab}; f_w \cdot F_{rmax})$$

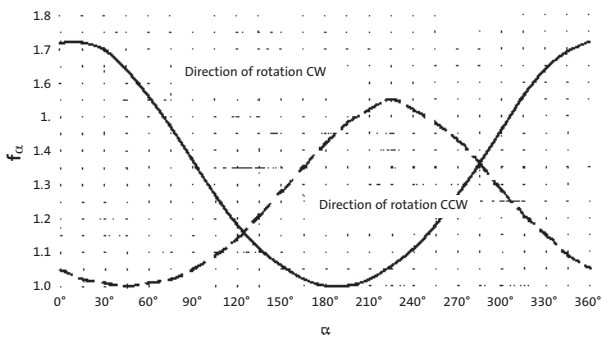
Permissible axial force

$$F_{aperm} = F_{aTab} \quad \text{at } F_r = 0$$

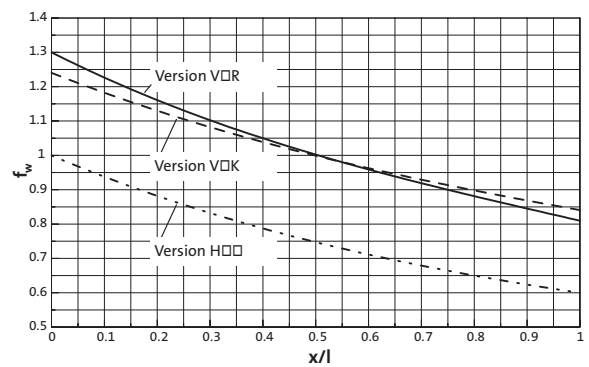
Contact Lenze if F_r and $F_a \neq 0$



f_α Effective direction factor at output shaft



f_w Additional load factor at output shaft



Technical data - Helical-worm gearboxes

Permissible radial and axial forces - Output



| VAK | Solid shaft with flange Application of force F_r : Centre of shaft journal ($x = l/2$) F_{aTab} only valid for $F_r = 0$ | | | | | | | |
|----------------|--|-------------------|-------------------|-------------------|-------------------|-------------------|-------------------|-------------------|
| | GSS 04 | | GSS 05 | | GSS 06 | | GSS 07 | |
| n_2 [rpm] | F_{rTab} [N] | F_{aTab} [N] | F_{rTab} [N] | F_{aTab} [N] | F_{rTab} [N] | F_{aTab} [N] | F_{rTab} [N] | F_{aTab} [N] |
| 250 | 4100 | 3500 | 4900 | 2500 | 7000 | 2800 | 7900 | 2400 |
| 160 | 4400 | 4000 | 4900 | 3100 | 8100 | 3500 | 9100 | 3200 |
| 100 | 4700 | 4200 | 4900 | 4000 | 9400 | 4500 | 10600 | 4300 |
| 63 | 4700 | 4200 | 4900 | 4900 | 9400 | 5700 | 12400 | 5900 |
| 40 | 4700 | 4200 | 4900 | 5500 | 9400 | 7300 | 14000 | 8000 |
| 25 | 4700 | 4200 | 4900 | 5500 | 9400 | 8800 | 14000 | 10000 |
| ≤16 | 4700 | 4200 | 4900 | 5500 | 9400 | 8800 | 10000 | 14000 |
| $F_{r max}$ | 4700 | – | 4900 | – | 9400 | – | 14000 | – |

| VOR | Solid shaft without flange Application of force F_r : Centre of shaft journal ($x = l/2$) F_{aTab} only valid for $F_r = 0$ | | | | | | | |
|----------------|---|-------------------|-------------------|-------------------|-------------------|-------------------|-------------------|-------------------|
| | GSS 04 | | GSS 05 | | GSS 06 | | GSS 07 | |
| n_2 [rpm] | F_{rTab} [N] | F_{aTab} [N] | F_{rTab} [N] | F_{aTab} [N] | F_{rTab} [N] | F_{aTab} [N] | F_{rTab} [N] | F_{aTab} [N] |
| 250 | 3000 | 3700 | 2900 | 2800 | 3600 | 3200 | 4200 | 3100 |
| 160 | 3500 | 4200 | 3400 | 3500 | 4200 | 4100 | 5100 | 4100 |
| 100 | 4100 | 4900 | 4000 | 4400 | 5000 | 5200 | 6300 | 5500 |
| 63 | 4200 | 5500 | 4300 | 5500 | 5900 | 6500 | 7700 | 7200 |
| 40 | 4200 | 5500 | 4300 | 6000 | 6900 | 8200 | 9300 | 9500 |
| 25 | 4200 | 5500 | 4300 | 6000 | 8200 | 9000 | 11300 | 12500 |
| ≤16 | 4200 | 5500 | 4300 | 6000 | 8500 | 9000 | 12000 | 12500 |
| $F_{r max}$ | 4200 | – | 4300 | – | 8500 | – | 12000 | – |

| HOO | Hollow shaft Application of force F_r : At hollow shaft end face ($x = 0$) F_{aTab} only valid for $F_r = 0$ | | | | | | | |
|----------------|--|-------------------|-------------------|-------------------|-------------------|-------------------|-------------------|-------------------|
| | GSS 04 | | GSS 05 | | GSS 06 | | GSS 07 | |
| n_2 [rpm] | F_{rTab} [N] | F_{aTab} [N] | F_{rTab} [N] | F_{aTab} [N] | F_{rTab} [N] | F_{aTab} [N] | F_{rTab} [N] | F_{aTab} [N] |
| 250 | 3800 | 3700 | 3600 | 2800 | 4800 | 3200 | 5600 | 3100 |
| 160 | 4500 | 4200 | 4300 | 3500 | 5600 | 4100 | 6700 | 4100 |
| 100 | 5300 | 4900 | 5100 | 4400 | 6600 | 5200 | 8200 | 5500 |
| 63 | 6000 | 5500 | 6000 | 5500 | 7700 | 6500 | 10000 | 7200 |
| 40 | 6000 | 5500 | 7000 | 6000 | 9100 | 8200 | 12100 | 9500 |
| 25 | 6000 | 5500 | 7500 | 6000 | 10700 | 9000 | 14800 | 12500 |
| ≤16 | 6000 | 5500 | 7500 | 6000 | 11500 | 9000 | 16000 | 12500 |
| $F_{r max}$ | 6000 | – | 7500 | – | 11500 | – | 16000 | – |

Neither radial nor axial forces are permitted on hollow shafts with shrink discs (S□□).

Technical data - Helical-worm gearboxes

Start-up efficiency

During start-up, the start-up efficiency η_A of a helical-worm gearbox is lower than its operative efficiency η at rated speed.

The start-up efficiency η_A must therefore always be considered when starting under load.

The start-up efficiency is determined by the oil temperature and the degree to which the tooth faces have been run in.

The values given in the tables are theoretical values and are valid with a tolerance of $\pm 10\%$.

| Ratio i_r | Start-up efficiency η_A |
|----------------|---------------------------------|
| 5.6 | 0.71 |
| 8 | 0.71 |
| 9 | 0.67 |
| 10 | 0.71 |
| 11.2 | 0.71 |
| 12.5 | 0.67 |
| 14 | 0.71 |
| 16 | 0.67 |
| 18 | 0.67 |
| 20 | 0.55 |
| 22.4 | 0.67 |
| 25 | 0.55 |
| 28 | 0.67 |
| 31.5 | 0.55 |
| 35.5 | 0.67 |

| Ratio i_r | Start-up efficiency η_A |
|----------------|---------------------------------|
| 40 | 0.55 |
| 45 | 0.67 |
| 50 | 0.55 |
| 56 | 0.55 |
| 63 | 0.55 |
| 71 | 0.55 |
| 80 | 0.55 |
| 90 | 0.55 |
| 100 | 0.55 |
| 112 | 0.55 |
| 125 | 0.55 |
| 140 | 0.55 |
| 160 | 0.55 |
| 180 | 0.55 |
| 200 | 0.55 |



Calculation formula: $i_{exact} = \frac{\text{Numerator}}{\text{Denominator}}$

| Actual ratio | Numerator | Denominator |
|-------------------|-----------|-------------|
| GSS 04 - 2 | | |
| 5.639 | 1015 | 180 |
| 7.733 | 1160 | 150 |
| 9.042 | 1085 | 120 |
| 9.897 | 1247 | 126 |
| 10.827 | 1624 | 150 |
| 12.400 | 1240 | 100 |
| 13.810 | 1740 | 126 |
| 15.869 | 1333 | 84 |
| 17.360 | 1736 | 100 |
| 20.417 | 1225 | 60 |
| 22.143 | 1860 | 84 |
| 24.800 | 1240 | 50 |
| 27.125 | 1953 | 72 |
| 31.738 | 1333 | 42 |
| 34.100 | 2046 | 60 |
| 39.200 | 1960 | 50 |
| 43.917 | 2108 | 48 |
| 50.000 | 2100 | 42 |
| 54.250 | 1953 | 36 |
| 61.250 | 2205 | 36 |
| 68.200 | 2046 | 30 |
| 77.000 | 2310 | 30 |
| 87.833 | 2108 | 24 |
| 99.167 | 2380 | 24 |
| 111.318 | 2449 | 22 |
| 125.682 | 2765 | 22 |
| 139.500 | 2511 | 18 |
| 157.500 | 2835 | 18 |
| 183.786 | 2573 | 14 |
| 207.500 | 2905 | 14 |

Calculation formula: $i_{exact} = \frac{\text{Numerator}}{\text{Denominator}}$

| Actual ratio | Numerator | Denominator |
|-------------------|-----------|-------------|
| GSS 05 - 2 | | |
| 5.639 | 1015 | 180 |
| 7.733 | 1160 | 150 |
| 9.042 | 1085 | 120 |
| 9.897 | 1247 | 126 |
| 10.827 | 1624 | 150 |
| 12.400 | 1240 | 100 |
| 13.810 | 1740 | 126 |
| 15.869 | 1333 | 84 |
| 17.360 | 1736 | 100 |
| 20.417 | 1225 | 60 |
| 22.143 | 1860 | 84 |
| 24.800 | 1240 | 50 |
| 27.125 | 1953 | 72 |
| 31.738 | 1333 | 42 |
| 35.306 | 2542 | 72 |
| 39.200 | 1960 | 50 |
| 43.917 | 2108 | 48 |
| 50.000 | 2100 | 42 |
| 54.250 | 1953 | 36 |
| 61.250 | 2205 | 36 |
| 70.611 | 2542 | 36 |
| 79.722 | 2870 | 36 |
| 87.833 | 2108 | 24 |
| 99.167 | 2380 | 24 |
| 113.667 | 2728 | 24 |
| 128.333 | 3080 | 24 |
| 137.950 | 2759 | 20 |
| 155.750 | 3115 | 20 |
| 176.313 | 2821 | 16 |
| 199.063 | 3185 | 16 |

| | | |
|-------------------|--------|------|
| GSS 05 - 3 | | |
| 125.476 | 126480 | 1008 |
| 153.708 | 132804 | 864 |
| 193.233 | 139128 | 720 |
| 222.133 | 133280 | 600 |
| 250.952 | 126480 | 504 |
| 283.333 | 142800 | 504 |
| 307.417 | 132804 | 432 |
| 347.083 | 149940 | 432 |
| 386.467 | 139128 | 360 |
| 436.333 | 157080 | 360 |
| 497.722 | 143344 | 288 |
| 561.944 | 161840 | 288 |
| 630.803 | 166532 | 264 |
| 712.197 | 188020 | 264 |
| 790.500 | 170748 | 216 |
| 892.500 | 192780 | 216 |
| 1041.452 | 174964 | 168 |
| 1175.833 | 197540 | 168 |



Calculation formula: $i_{exact} = \frac{\text{Numerator}}{\text{Denominator}}$

| Actual ratio | Numerator | Denominator |
|-------------------|-----------|-------------|
| GSS 06 - 2 | | |
| 5.833 | 1050 | 180 |
| 8.000 | 1200 | 150 |
| 9.042 | 1085 | 120 |
| 10.238 | 1290 | 126 |
| 11.200 | 1680 | 150 |
| 12.400 | 1240 | 100 |
| 14.286 | 1800 | 126 |
| 15.869 | 1333 | 84 |
| 17.360 | 1736 | 100 |
| 20.417 | 1225 | 60 |
| 22.143 | 1860 | 84 |
| 24.800 | 1240 | 50 |
| 27.125 | 1953 | 72 |
| 31.738 | 1333 | 42 |
| 35.306 | 2542 | 72 |
| 39.200 | 1960 | 50 |
| 43.917 | 2108 | 48 |
| 50.000 | 2100 | 42 |
| 54.250 | 1953 | 36 |
| 61.250 | 2205 | 36 |
| 70.611 | 2542 | 36 |
| 79.722 | 2870 | 36 |
| 87.833 | 2108 | 24 |
| 99.167 | 2380 | 24 |
| 113.667 | 2728 | 24 |
| 128.333 | 3080 | 24 |
| 137.950 | 2759 | 20 |
| 155.750 | 3115 | 20 |
| 174.375 | 2790 | 16 |
| 196.875 | 3150 | 16 |

Calculation formula: $i_{exact} = \frac{\text{Numerator}}{\text{Denominator}}$

| Actual ratio | Numerator | Denominator |
|-------------------|-----------|-------------|
| GSS 06 - 3 | | |
| 126.531 | 111600 | 882 |
| 142.857 | 126000 | 882 |
| 155.000 | 117180 | 756 |
| 175.000 | 132300 | 756 |
| 194.857 | 122760 | 630 |
| 220.000 | 138600 | 630 |
| 238.700 | 128898 | 540 |
| 269.500 | 145530 | 540 |
| 310.689 | 167772 | 540 |
| 350.778 | 189420 | 540 |
| 386.467 | 139128 | 360 |
| 436.333 | 157080 | 360 |
| 497.722 | 143344 | 288 |
| 561.944 | 161840 | 288 |
| 630.803 | 166532 | 264 |
| 712.197 | 188020 | 264 |
| 816.333 | 215512 | 264 |
| 921.667 | 243320 | 264 |
| 1023.000 | 220968 | 216 |
| 1155.000 | 249480 | 216 |
| 1241.550 | 223479 | 180 |
| 1401.750 | 252315 | 180 |
| 1635.693 | 228997 | 140 |
| 1846.750 | 258545 | 140 |



Calculation formula: $i_{exact} = \frac{\text{Numerator}}{\text{Denominator}}$

| Actual ratio | Numerator | Denominator |
|-------------------|-----------|-------------|
| GSS 07 - 2 | | |
| 5.862 | 1020 | 174 |
| 8.125 | 1170 | 144 |
| 9.086 | 1054 | 116 |
| 10.000 | 1260 | 126 |
| 11.200 | 1680 | 150 |
| 12.594 | 1209 | 96 |
| 14.286 | 1800 | 126 |
| 15.500 | 1302 | 84 |
| 17.360 | 1736 | 100 |
| 20.517 | 1190 | 58 |
| 22.143 | 1860 | 84 |
| 25.188 | 1209 | 48 |
| 27.125 | 1953 | 72 |
| 31.000 | 1302 | 42 |
| 35.306 | 2542 | 72 |
| 39.200 | 1960 | 50 |
| 43.271 | 2077 | 48 |
| 50.000 | 2100 | 42 |
| 54.250 | 1953 | 36 |
| 61.250 | 2205 | 36 |
| 70.611 | 2542 | 36 |
| 79.722 | 2870 | 36 |
| 86.542 | 2077 | 24 |
| 97.708 | 2345 | 24 |
| 113.667 | 2728 | 24 |
| 128.333 | 3080 | 24 |
| 137.950 | 2759 | 20 |
| 155.750 | 3115 | 20 |
| 174.375 | 2790 | 16 |
| 196.875 | 3150 | 16 |

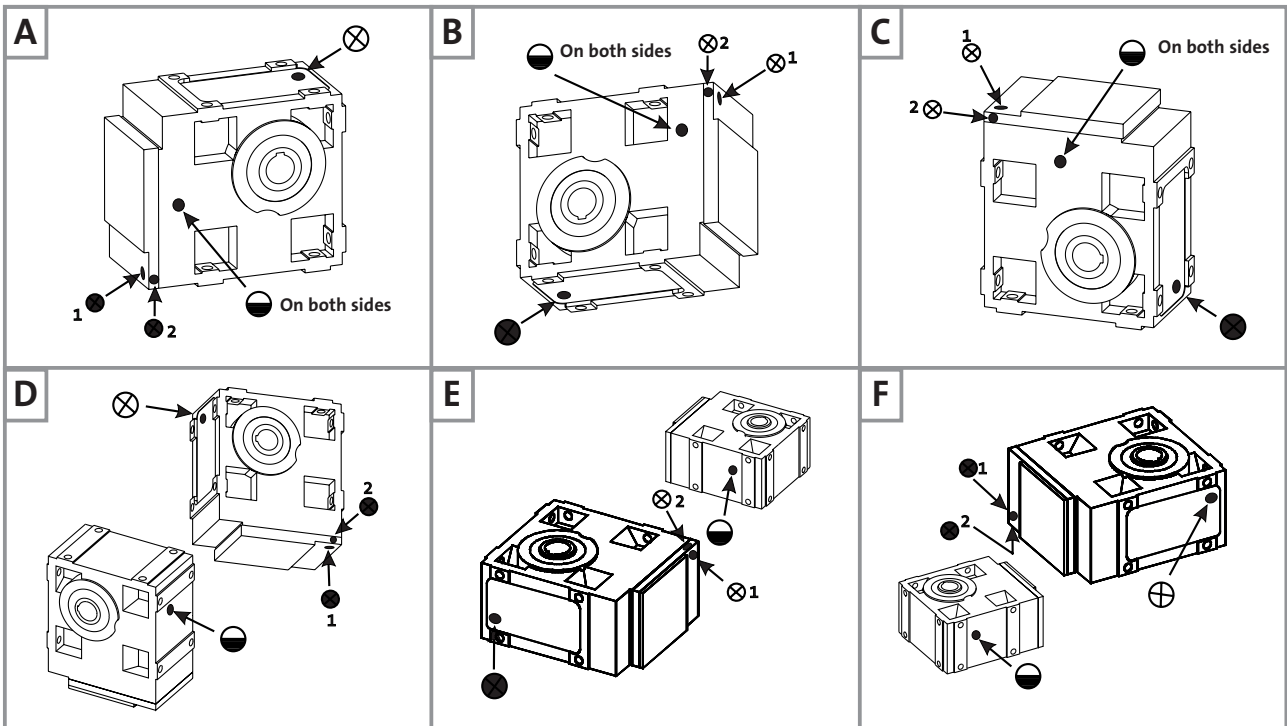
Calculation formula: $i_{exact} = \frac{\text{Numerator}}{\text{Denominator}}$

| Actual ratio | Numerator | Denominator |
|-------------------|-----------|-------------|
| GSS 07 - 3 | | |
| 126.531 | 111600 | 882 |
| 142.857 | 126000 | 882 |
| 155.000 | 117180 | 756 |
| 175.000 | 132300 | 756 |
| 201.746 | 152520 | 756 |
| 227.778 | 172200 | 756 |
| 247.139 | 160146 | 648 |
| 279.028 | 180810 | 648 |
| 321.673 | 208444 | 648 |
| 363.179 | 235340 | 648 |
| 394.245 | 170314 | 432 |
| 445.116 | 192290 | 432 |
| 490.403 | 141236 | 288 |
| 553.681 | 159460 | 288 |
| 634.639 | 182776 | 288 |
| 716.528 | 206360 | 288 |
| 833.556 | 240064 | 288 |
| 941.111 | 271040 | 288 |
| 1011.633 | 242792 | 240 |
| 1142.167 | 274120 | 240 |
| 1227.755 | 245551 | 200 |
| 1386.175 | 277235 | 200 |
| 1569.181 | 251069 | 160 |
| 1771.656 | 283465 | 160 |

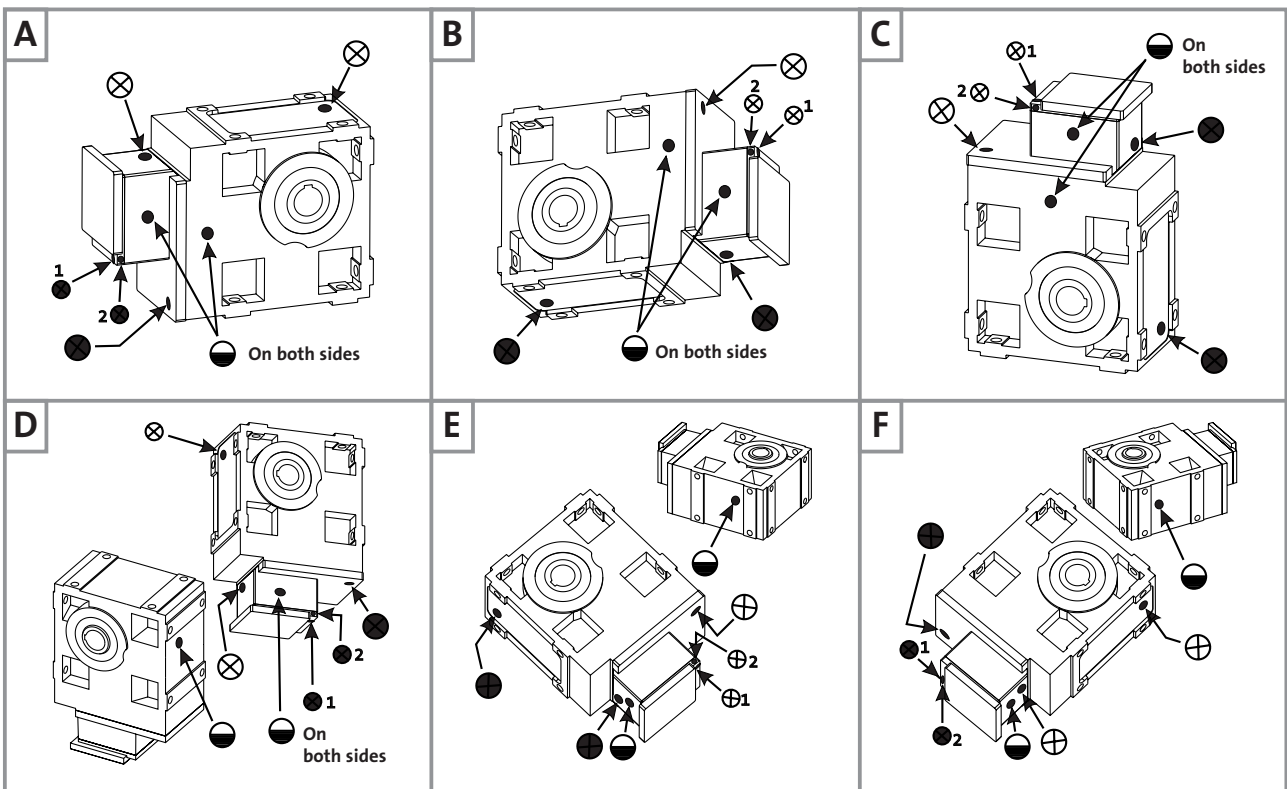


Position of ventilation, sealing elements and oil control

GSS05 ... 07-2



GSS05 ... 07-3



(A ... F) Mounting position

⊗ Ventilation/oil filler plug
● Oil drain plug

◐ Oil control plug
◑ Oil-sight glass

Pos. 1 Standard

Pos. 2 only on GSS05-2A □□□ 080C22
GSS07-3A □□□ 080C22

Helical-worm gearboxes GSS□□-2

| Gearbox size | naturally ventilated | | | | | | | | | | |
|--------------|--|---------|-----|---------|-----|---|---------|---------|---------|---------|---------|
| | GSS□□-2S HAR/HBR with motor frame size (synchronous) | | | | | GSS□□-2A HAR/HBR with motor frame size (asynchronous) | | | | | |
| | C23 | 056 C33 | C03 | 071 C13 | C33 | 056 C22 | 071 C22 | 080 C22 | 090 C22 | 100 C22 | 112 C22 |
| 04 | 17 | 18 | 21 | 23 | 25 | 18 | 23 | | | | |
| 05 | 27 | 28 | 30 | 32 | 34 | 28 | 32 | 37 | | | |
| 06 | 39 | 40 | 42 | 44 | 46 | 40 | 44 | 50 | 58 | | |
| 07 | 64 | 65 | 67 | 69 | 71 | 65 | 69 | 75 | 82 | 106 | 123 |

Helical-worm gearboxes GSS□□-3

| Gearbox size | naturally ventilated | | | | | | | | |
|--------------|--|---------|-----|---------|-----|---|---------|---------|----|
| | GSS□□-3S HAR/HBR with motor frame size (synchronous) | | | | | GSS□□-3A HAR/HBR with motor frame size (asynchronous) | | | |
| | C23 | 056 C33 | C03 | 071 C13 | C33 | 056 C22 | 071 C22 | 080 C22 | |
| 05 | 27 | 28 | 31 | 33 | 36 | 28 | 33 | | |
| 06 | 42 | 43 | 47 | 49 | 51 | 44 | 48 | | |
| 07 | 72 | 73 | 75 | 77 | 79 | 73 | 77 | | 82 |

Additional weights

At the drive end

| Synchronous | | | | | Asynchronous | | | | | |
|--------------------------|---------|-----|---------|-----|--------------|---------|---------|---------|---------|---------|
| C23 | 056 C33 | C03 | 071 C13 | C33 | 056 C22 | 071 C22 | 080 C22 | 090 C22 | 100 C22 | 112 C22 |
| forced ventilated | | | | | | | | | | |
| – | – | 1.3 | 1.3 | 1.3 | – | 1.6 | 1.9 | 2.6 | 3.5 | 3.5 |
| Brake | | | | | | | | | | |
| 0.9 | 0.9 | 1.4 | 1.4 | 1.4 | 0.9 | 1.4 | 1.5 | 2.4 | 4.8 | 5.0 |

At the non-drive end

| Gearbox size | Solid shaft V□□ | 2nd output shaft end V□□ | Hollow shaft with shrink disc S□□ | Flange □□K | Torque plate Housing foot | Torque plate Pitch circle |
|--------------|-----------------|--------------------------|-----------------------------------|------------|---------------------------|---------------------------|
| 04 | 0.6 | 0.2 | 0.6 | 2.5 | 1.3 | 0.9 |
| 05 | 1 | 0.3 | 0.8 | 4 | 2.2 | 1.3 |
| 06 | 2.5 | 0.8 | 1 | 7 | 3.7 | 2.1 |
| 07 | 5 | 1.5 | 1.5 | 11 | 6.6 | 3.7 |

Weights in [kg] with oil capacity for mounting position A. All data is approximate

Selection tables - Helical-worm gearboxes

Naturally ventilated synchronous geared servo motors



| M ₂ [Nm] | n _{2 trans} [rpm] | c | i | M _{2 max} short-time M _{2 Gr} on geared motor at | | | | n _{2 therm} gearbox c=1 n ₁ ≤ 1400 rpm | | J _{GM} referred to motor shaft [kgm ²] | Servo helical- worm geared motor Dimensions on Page 7-47 |
|------------------------|-------------------------------|-----|--------|---|-------------|----------------------------|-------------|---|-------|---|---|
| | | | | 8 kHz | | 16 kHz | | [Nm] | [rpm] | | |
| | | | | M _{2 max} [Nm] | Type EVS | M _{2 max} [Nm] | Type EVS | | | | |
| 14 | 674 | 3.1 | 5.639 | 23 | 9322 | 27 | 9323 | 108 | 674 | 2.52E-04 | GSS04 - 2S □□□ 056C23 MDSKS□□ 056-23 190 |
| 19 | 491 | 3.8 | 7.733 | 32 | 9322 | 37 | 9323 | 149 | 491 | 2.05E-04 | GSS04 - 2S □□□ 056C23 MDSKS□□ 056-23 190 |
| 22 | 420 | 4.4 | 9.042 | 37 | 9322 | 43 | 9323 | 154 | 420 | 2.21E-04 | GSS04 - 2S □□□ 056C23 MDSKS□□ 056-23 190 |
| 24 | 384 | 4.1 | 9.897 | 41 | 9322 | 48 | 9323 | 161 | 384 | 1.83E-04 | GSS04 - 2S □□□ 056C23 MDSKS□□ 056-23 190 |
| 26 | 351 | 4.1 | 10.827 | 45 | 9322 | 52 | 9323 | 161 | 351 | 1.77E-04 | GSS04 - 2S □□□ 056C23 MDSKS□□ 056-23 190 |
| 30 | 306 | 3.9 | 12.400 | 51 | 9322 | 59 | 9323 | 170 | 306 | 1.89E-04 | GSS04 - 2S □□□ 056C23 MDSKS□□ 056-23 190 |
| 34 | 275 | 4.1 | 13.810 | 58 | 9322 | 67 | 9323 | 163 | 275 | 1.65E-04 | GSS04 - 2S □□□ 056C23 MDSKS□□ 056-23 190 |
| 38 | 239 | 3.3 | 15.869 | 65 | 9322 | 76 | 9323 | 180 | 239 | 1.73E-04 | GSS04 - 2S □□□ 056C23 MDSKS□□ 056-23 190 |
| 42 | 219 | 3.2 | 17.360 | 71 | 9322 | 83 | 9323 | 180 | 219 | 1.68E-04 | GSS04 - 2S □□□ 056C23 MDSKS□□ 056-23 190 |
| 45 | 186 | 2.3 | 20.417 | 76 | 9322 | 88 | 9323 | 153 | 186 | 2.07E-04 | GSS04 - 2S □□□ 056C23 MDSKS□□ 056-23 190 |
| 54 | 172 | 2.7 | 22.143 | 91 | 9322 | 105 | 9323 | 180 | 172 | 1.60E-04 | GSS04 - 2S □□□ 056C23 MDSKS□□ 056-23 190 |
| 56 | 153 | 2.1 | 24.800 | 94 | 9322 | 109 | 9323 | 171 | 153 | 1.82E-04 | GSS04 - 2S □□□ 056C23 MDSKS□□ 056-23 190 |
| 66 | 140 | 2.3 | 27.125 | 111 | 9322 | 128 | 9323 | 180 | 140 | 1.54E-04 | GSS04 - 2S □□□ 056C23 MDSKS□□ 056-23 190 |
| 72 | 120 | 1.8 | 31.738 | 121 | 9322 | 140 | 9323 | 180 | 120 | 1.69E-04 | GSS04 - 2S □□□ 056C23 MDSKS□□ 056-23 190 |
| 83 | 111 | 2.0 | 34.100 | 139 | 9322 | 161 | 9323 | 180 | 111 | 1.50E-04 | GSS04 - 2S □□□ 056C23 MDSKS□□ 056-23 190 |
| 87 | 97 | 1.5 | 39.200 | 146 | 9322 | 168 | 9323 | 180 | 97 | 1.65E-04 | GSS04 - 2S □□□ 056C23 MDSKS□□ 056-23 190 |
| 107 | 87 | 1.7 | 43.917 | 178 | 9322 | 206 | 9323 | 180 | 87 | 1.46E-04 | GSS04 - 2S □□□ 056C23 MDSKS□□ 056-23 190 |
| 111 | 76 | 1.3 | 50.000 | 185 | 9322 | 214 | 9323 | 180 | 76 | 1.57E-04 | GSS04 - 2S □□□ 056C23 MDSKS□□ 056-23 190 |
| 123 | 70 | 1.3 | 54.250 | 204 | 9322 | 235 | 9323 | 180 | 70 | 1.53E-04 | GSS04 - 2S □□□ 056C23 MDSKS□□ 056-23 190 |
| 136 | 62 | 1.2 | 61.250 | 225 | 9322 | 235 | 9323 | 180 | 62 | 1.53E-04 | GSS04 - 2S □□□ 056C23 MDSKS□□ 056-23 190 |
| 154 | 56 | 1.1 | 68.200 | 254 | 9322 | 254 | 9323 | 180 | 56 | 1.49E-04 | GSS04 - 2S □□□ 056C23 MDSKS□□ 056-23 190 |
| 21 | 709 | 2.1 | 5.639 | 34 | 9323 | 45 | 9324 | 108 | 709 | 3.12E-04 | GSS04 - 2S □□□ 056C33 MDSKS□□ 056-33 200 |
| 28 | 517 | 2.6 | 7.733 | 48 | 9323 | 62 | 9324 | 149 | 517 | 2.65E-04 | GSS04 - 2S □□□ 056C33 MDSKS□□ 056-33 200 |
| 33 | 442 | 2.9 | 9.042 | 55 | 9323 | 72 | 9324 | 154 | 442 | 2.81E-04 | GSS04 - 2S □□□ 056C33 MDSKS□□ 056-33 200 |
| 37 | 404 | 2.7 | 9.897 | 61 | 9323 | 80 | 9324 | 161 | 404 | 2.43E-04 | GSS04 - 2S □□□ 056C33 MDSKS□□ 056-33 200 |
| 40 | 369 | 2.7 | 10.827 | 67 | 9323 | 87 | 9324 | 161 | 369 | 2.37E-04 | GSS04 - 2S □□□ 056C33 MDSKS□□ 056-33 200 |
| 45 | 323 | 2.6 | 12.400 | 76 | 9323 | 99 | 9324 | 170 | 323 | 2.49E-04 | GSS04 - 2S □□□ 056C33 MDSKS□□ 056-33 200 |
| 52 | 290 | 2.7 | 13.810 | 86 | 9323 | 112 | 9324 | 163 | 290 | 2.25E-04 | GSS04 - 2S □□□ 056C33 MDSKS□□ 056-33 200 |
| 58 | 252 | 2.2 | 15.869 | 97 | 9323 | 126 | 9324 | 180 | 252 | 2.33E-04 | GSS04 - 2S □□□ 056C33 MDSKS□□ 056-33 200 |
| 64 | 230 | 2.1 | 17.360 | 106 | 9323 | 138 | 9324 | 180 | 230 | 2.28E-04 | GSS04 - 2S □□□ 056C33 MDSKS□□ 056-33 200 |
| 68 | 196 | 1.5 | 20.417 | 113 | 9323 | 147 | 9324 | 153 | 196 | 2.67E-04 | GSS04 - 2S □□□ 056C33 MDSKS□□ 056-33 200 |
| 81 | 181 | 1.8 | 22.143 | 135 | 9323 | 175 | 9324 | 180 | 181 | 2.20E-04 | GSS04 - 2S □□□ 056C33 MDSKS□□ 056-33 200 |
| 85 | 161 | 1.4 | 24.800 | 140 | 9323 | 180 | 9324 | 171 | 161 | 2.42E-04 | GSS04 - 2S □□□ 056C33 MDSKS□□ 056-33 200 |
| 100 | 147 | 1.6 | 27.125 | 164 | 9323 | 214 | 9324 | 180 | 147 | 2.14E-04 | GSS04 - 2S □□□ 056C33 MDSKS□□ 056-33 200 |

Observe the notes for thermal dimensioning.

Selection tables - Helical-worm gearboxes

Naturally ventilated synchronous geared servo motors

| M ₂ [Nm] | n ₂ trans [rpm] | c | i | M ₂ max short-time M ₂ Gr on geared motor at | | | | n ₂ therm gearbox c=1 n ₁ ≤ 1400 rpm | | J _{GM} referred to motor shaft [kgm ²] | Servo helical- worm geared motor Dimensions on Page 7-47 |
|------------------------|-------------------------------|-----|--------|---|-------------|----------------------------|-------------|---|-------|---|---|
| | | | | 8 kHz | | 16 kHz | | [Nm] | [rpm] | | |
| | | | | M ₂ max [Nm] | Type EVS | M ₂ max [Nm] | Type EVS | | | | |
| 109 | 126 | 1.2 | 31.738 | 179 | 9323 | 196 | 9324 | 180 | 126 | 2.29E-04 | GSS04 - 2S □□□ 056C33 MDSKS□□ 056-33 200 |
| 125 | 117 | 1.3 | 34.100 | 206 | 9323 | 253 | 9324 | 180 | 117 | 2.10E-04 | GSS04 - 2S □□□ 056C33 MDSKS□□ 056-33 200 |
| 132 | 102 | 1.0 | 39.200 | 202 | 9323 | 202 | 9324 | 180 | 102 | 2.25E-04 | GSS04 - 2S □□□ 056C33 MDSKS□□ 056-33 200 |
| 161 | 91 | 1.1 | 43.917 | 264 | 9323 | 269 | 9324 | 180 | 91 | 2.06E-04 | GSS04 - 2S □□□ 056C33 MDSKS□□ 056-33 200 |
| 28 | 603 | 1.9 | 5.639 | 40 | 9323 | 53 | 9324 | 149 | 603 | 7.12E-04 | GSS04 - 2S □□□ 071C03 MDSKS□□ 071-03 170 |
| 39 | 440 | 2.2 | 7.733 | 55 | 9323 | 73 | 9324 | 158 | 440 | 6.65E-04 | GSS04 - 2S □□□ 071C03 MDSKS□□ 071-03 170 |
| 45 | 376 | 2.3 | 9.042 | 64 | 9323 | 85 | 9324 | 154 | 376 | 6.81E-04 | GSS04 - 2S □□□ 071C03 MDSKS□□ 071-03 170 |
| 50 | 344 | 2.3 | 9.897 | 71 | 9323 | 94 | 9324 | 161 | 344 | 6.43E-04 | GSS04 - 2S □□□ 071C03 MDSKS□□ 071-03 170 |
| 55 | 314 | 2.3 | 10.827 | 78 | 9323 | 103 | 9324 | 161 | 314 | 6.37E-04 | GSS04 - 2S □□□ 071C03 MDSKS□□ 071-03 170 |
| 62 | 274 | 2.0 | 12.400 | 88 | 9323 | 117 | 9324 | 170 | 274 | 6.49E-04 | GSS04 - 2S □□□ 071C03 MDSKS□□ 071-03 170 |
| 70 | 246 | 2.1 | 13.810 | 100 | 9323 | 132 | 9324 | 163 | 246 | 6.25E-04 | GSS04 - 2S □□□ 071C03 MDSKS□□ 071-03 170 |
| 80 | 214 | 1.7 | 15.869 | 113 | 9323 | 149 | 9324 | 180 | 214 | 6.33E-04 | GSS04 - 2S □□□ 071C03 MDSKS□□ 071-03 170 |
| 87 | 196 | 1.6 | 17.360 | 123 | 9323 | 163 | 9324 | 180 | 196 | 6.28E-04 | GSS04 - 2S □□□ 071C03 MDSKS□□ 071-03 170 |
| 93 | 167 | 1.2 | 20.417 | 131 | 9323 | 167 | 9324 | 153 | 167 | 6.67E-04 | GSS04 - 2S □□□ 071C03 MDSKS□□ 071-03 170 |
| 111 | 154 | 1.4 | 22.143 | 157 | 9323 | 207 | 9324 | 180 | 154 | 6.20E-04 | GSS04 - 2S □□□ 071C03 MDSKS□□ 071-03 170 |
| 116 | 137 | 1.1 | 24.800 | 163 | 9323 | 188 | 9324 | 171 | 137 | 6.42E-04 | GSS04 - 2S □□□ 071C03 MDSKS□□ 071-03 170 |
| 136 | 125 | 1.2 | 27.125 | 191 | 9323 | 245 | 9324 | 180 | 125 | 6.14E-04 | GSS04 - 2S □□□ 071C03 MDSKS□□ 071-03 170 |
| 41 | 656 | 1.1 | 5.639 | 62 | 9324 | 65 | 9325 | 149 | 656 | 9.12E-04 | GSS04 - 2S □□□ 071C13 MDSKS□□ 071-13 185 |
| 57 | 478 | 1.3 | 7.733 | 86 | 9324 | 111 | 9325 | 158 | 478 | 8.65E-04 | GSS04 - 2S □□□ 071C13 MDSKS□□ 071-13 185 |
| 66 | 409 | 1.5 | 9.042 | 100 | 9324 | 138 | 9325 | 154 | 409 | 8.81E-04 | GSS04 - 2S □□□ 071C13 MDSKS□□ 071-13 185 |
| 74 | 374 | 1.4 | 9.897 | 111 | 9324 | 153 | 9325 | 161 | 374 | 8.43E-04 | GSS04 - 2S □□□ 071C13 MDSKS□□ 071-13 185 |
| 81 | 342 | 1.4 | 10.827 | 121 | 9324 | 168 | 9325 | 161 | 342 | 8.37E-04 | GSS04 - 2S □□□ 071C13 MDSKS□□ 071-13 185 |
| 91 | 298 | 1.3 | 12.400 | 137 | 9324 | 181 | 9325 | 170 | 298 | 8.49E-04 | GSS04 - 2S □□□ 071C13 MDSKS□□ 071-13 185 |
| 103 | 268 | 1.4 | 13.810 | 156 | 9324 | 215 | 9325 | 163 | 268 | 8.25E-04 | GSS04 - 2S □□□ 071C13 MDSKS□□ 071-13 185 |
| 117 | 233 | 1.1 | 15.869 | 175 | 9324 | 197 | 9325 | 180 | 233 | 8.33E-04 | GSS04 - 2S □□□ 071C13 MDSKS□□ 071-13 185 |
| 128 | 213 | 1.1 | 17.360 | 192 | 9324 | 204 | 9325 | 180 | 213 | 8.28E-04 | GSS04 - 2S □□□ 071C13 MDSKS□□ 071-13 185 |
| 33 | 275 | 5.9 | 13.810 | 58 | 9322 | 67 | 9323 | 248 | 275 | 2.04E-04 | GSS05 - 2S □□□ 056C23 MDSKS□□ 056-23 190 |
| 37 | 239 | 5.4 | 15.869 | 65 | 9322 | 75 | 9323 | 296 | 239 | 2.24E-04 | GSS05 - 2S □□□ 056C23 MDSKS□□ 056-23 190 |
| 41 | 219 | 5.1 | 17.360 | 71 | 9322 | 82 | 9323 | 311 | 219 | 2.12E-04 | GSS05 - 2S □□□ 056C23 MDSKS□□ 056-23 190 |
| 53 | 172 | 4.4 | 22.143 | 91 | 9322 | 105 | 9323 | 337 | 172 | 1.90E-04 | GSS05 - 2S □□□ 056C23 MDSKS□□ 056-23 190 |
| 65 | 140 | 3.8 | 27.125 | 111 | 9322 | 129 | 9323 | 360 | 140 | 1.78E-04 | GSS05 - 2S □□□ 056C23 MDSKS□□ 056-23 190 |
| 71 | 120 | 2.9 | 31.738 | 120 | 9322 | 139 | 9323 | 306 | 120 | 2.13E-04 | GSS05 - 2S □□□ 056C23 MDSKS□□ 056-23 190 |
| 86 | 108 | 3.2 | 35.306 | 145 | 9322 | 168 | 9323 | 360 | 108 | 1.63E-04 | GSS05 - 2S □□□ 056C23 MDSKS□□ 056-23 190 |
| 86 | 97 | 2.5 | 39.200 | 146 | 9322 | 169 | 9323 | 323 | 97 | 2.01E-04 | GSS05 - 2S □□□ 056C23 MDSKS□□ 056-23 190 |

Observe the notes for thermal dimensioning.

Selection tables - Helical-worm gearboxes

Naturally ventilated synchronous geared servo motors



| M ₂ [Nm] | n ₂ trans [rpm] | c | i | M ₂ max short-time M ₂ Gr on geared motor at | | | | n ₂ therm gearbox c=1 n ₁ ≤ 1400 rpm | | J _{GM} referred to motor shaft [kgm ²] | Servo helical- worm geared motor Dimensions on Page 7-47 |
|------------------------|-------------------------------|-----|---------|---|-------------|----------------------------|-------------|---|-------|---|---|
| | | | | 8 kHz | | 16 kHz | | [Nm] | [rpm] | | |
| | | | | M ₂ max [Nm] | Type EVS | M ₂ max [Nm] | Type EVS | | | | |
| 107 | 87 | 2.8 | 43.917 | 181 | 9322 | 209 | 9323 | 360 | 87 | 1.57E-04 | GSS05 - 2S □□□ 056C23 MDSKS□□ 056-23 190 |
| 111 | 76 | 2.1 | 50.000 | 187 | 9322 | 216 | 9323 | 353 | 76 | 1.83E-04 | GSS05 - 2S □□□ 056C23 MDSKS□□ 056-23 190 |
| 123 | 70 | 2.1 | 54.250 | 207 | 9322 | 239 | 9323 | 360 | 70 | 1.74E-04 | GSS05 - 2S □□□ 056C23 MDSKS□□ 056-23 190 |
| 137 | 62 | 1.9 | 61.250 | 229 | 9322 | 265 | 9323 | 360 | 62 | 1.73E-04 | GSS05 - 2S □□□ 056C23 MDSKS□□ 056-23 190 |
| 161 | 54 | 1.7 | 70.611 | 269 | 9322 | 312 | 9323 | 360 | 54 | 1.61E-04 | GSS05 - 2S □□□ 056C23 MDSKS□□ 056-23 190 |
| 179 | 48 | 1.6 | 79.722 | 299 | 9322 | 346 | 9323 | 360 | 48 | 1.61E-04 | GSS05 - 2S □□□ 056C23 MDSKS□□ 056-23 190 |
| 201 | 43 | 1.5 | 87.833 | 335 | 9322 | 388 | 9323 | 360 | 43 | 1.55E-04 | GSS05 - 2S □□□ 056C23 MDSKS□□ 056-23 190 |
| 224 | 38 | 1.4 | 99.167 | 372 | 9322 | 430 | 9323 | 360 | 38 | 1.55E-04 | GSS05 - 2S □□□ 056C23 MDSKS□□ 056-23 190 |
| 261 | 33 | 1.3 | 113.667 | 434 | 9322 | 502 | 9323 | 360 | 33 | 1.50E-04 | GSS05 - 2S □□□ 056C23 MDSKS□□ 056-23 190 |
| 290 | 30 | 1.2 | 128.333 | 481 | 9322 | 516 | 9323 | 360 | 30 | 1.49E-04 | GSS05 - 2S □□□ 056C23 MDSKS□□ 056-23 190 |
| 318 | 28 | 1.1 | 137.950 | 527 | 9322 | 540 | 9323 | 360 | 28 | 1.47E-04 | GSS05 - 2S □□□ 056C23 MDSKS□□ 056-23 190 |
| 353 | 24 | 1.0 | 155.750 | 540 | 9322 | 540 | 9323 | 360 | 24 | 1.47E-04 | GSS05 - 2S □□□ 056C23 MDSKS□□ 056-23 190 |
| 36 | 404 | 4.3 | 9.897 | 62 | 9323 | 80 | 9324 | 190 | 404 | 3.10E-04 | GSS05 - 2S □□□ 056C33 MDSKS□□ 056-33 200 |
| 40 | 369 | 4.2 | 10.827 | 68 | 9323 | 88 | 9324 | 210 | 369 | 2.94E-04 | GSS05 - 2S □□□ 056C33 MDSKS□□ 056-33 200 |
| 51 | 290 | 3.9 | 13.810 | 87 | 9323 | 113 | 9324 | 248 | 290 | 2.64E-04 | GSS05 - 2S □□□ 056C33 MDSKS□□ 056-33 200 |
| 57 | 252 | 3.6 | 15.869 | 96 | 9323 | 125 | 9324 | 296 | 252 | 2.84E-04 | GSS05 - 2S □□□ 056C33 MDSKS□□ 056-33 200 |
| 63 | 230 | 3.4 | 17.360 | 106 | 9323 | 137 | 9324 | 311 | 230 | 2.72E-04 | GSS05 - 2S □□□ 056C33 MDSKS□□ 056-33 200 |
| 81 | 181 | 2.9 | 22.143 | 135 | 9323 | 176 | 9324 | 337 | 181 | 2.50E-04 | GSS05 - 2S □□□ 056C33 MDSKS□□ 056-33 200 |
| 99 | 147 | 2.5 | 27.125 | 166 | 9323 | 216 | 9324 | 360 | 147 | 2.38E-04 | GSS05 - 2S □□□ 056C33 MDSKS□□ 056-33 200 |
| 108 | 126 | 1.9 | 31.738 | 178 | 9323 | 232 | 9324 | 306 | 126 | 2.73E-04 | GSS05 - 2S □□□ 056C33 MDSKS□□ 056-33 200 |
| 130 | 113 | 2.1 | 35.306 | 216 | 9323 | 281 | 9324 | 360 | 113 | 2.23E-04 | GSS05 - 2S □□□ 056C33 MDSKS□□ 056-33 200 |
| 131 | 102 | 1.7 | 39.200 | 216 | 9323 | 282 | 9324 | 323 | 102 | 2.61E-04 | GSS05 - 2S □□□ 056C33 MDSKS□□ 056-33 200 |
| 162 | 91 | 1.8 | 43.917 | 268 | 9323 | 349 | 9324 | 360 | 91 | 2.17E-04 | GSS05 - 2S □□□ 056C33 MDSKS□□ 056-33 200 |
| 168 | 80 | 1.4 | 50.000 | 277 | 9323 | 361 | 9324 | 353 | 80 | 2.43E-04 | GSS05 - 2S □□□ 056C33 MDSKS□□ 056-33 200 |
| 187 | 74 | 1.4 | 54.250 | 307 | 9323 | 385 | 9324 | 360 | 74 | 2.34E-04 | GSS05 - 2S □□□ 056C33 MDSKS□□ 056-33 200 |
| 207 | 65 | 1.3 | 61.250 | 340 | 9323 | 392 | 9324 | 360 | 65 | 2.33E-04 | GSS05 - 2S □□□ 056C33 MDSKS□□ 056-33 200 |
| 244 | 57 | 1.2 | 70.611 | 400 | 9323 | 424 | 9324 | 360 | 57 | 2.21E-04 | GSS05 - 2S □□□ 056C33 MDSKS□□ 056-33 200 |
| 271 | 50 | 1.1 | 79.722 | 433 | 9323 | 433 | 9324 | 360 | 50 | 2.21E-04 | GSS05 - 2S □□□ 056C33 MDSKS□□ 056-33 200 |
| 304 | 46 | 1.0 | 87.833 | 459 | 9323 | 459 | 9324 | 360 | 46 | 2.15E-04 | GSS05 - 2S □□□ 056C33 MDSKS□□ 056-33 200 |
| 28 | 603 | 4.1 | 5.639 | 41 | 9323 | 54 | 9324 | 219 | 603 | 8.82E-04 | GSS05 - 2S □□□ 071C03 MDSKS□□ 071-03 170 |
| 39 | 440 | 3.8 | 7.733 | 56 | 9323 | 74 | 9324 | 267 | 440 | 7.66E-04 | GSS05 - 2S □□□ 071C03 MDSKS□□ 071-03 170 |
| 44 | 376 | 2.8 | 9.042 | 63 | 9323 | 83 | 9324 | 251 | 376 | 8.01E-04 | GSS05 - 2S □□□ 071C03 MDSKS□□ 071-03 170 |
| 50 | 344 | 3.5 | 9.897 | 72 | 9323 | 95 | 9324 | 271 | 344 | 7.10E-04 | GSS05 - 2S □□□ 071C03 MDSKS□□ 071-03 170 |
| 55 | 314 | 3.4 | 10.827 | 79 | 9323 | 104 | 9324 | 272 | 314 | 6.94E-04 | GSS05 - 2S □□□ 071C03 MDSKS□□ 071-03 170 |

Observe the notes for thermal dimensioning.

Selection tables - Helical-worm gearboxes

Naturally ventilated synchronous geared servo motors

| M ₂ [Nm] | n ₂ trans [rpm] | c | i | M ₂ max short-time M ₂ Gr on geared motor at | | | | n ₂ therm gearbox c=1 n ₁ ≤ 1400 rpm | | J _{GM} referred to motor shaft [kgm ²] | Servo helical- worm geared motor Dimensions on Page 7-47 |
|------------------------|-------------------------------|-----|--------|---|-------------|----------------------------|-------------|---|-------|---|---|
| | | | | 8 kHz | | 16 kHz | | [Nm] | [rpm] | | |
| | | | | M ₂ max [Nm] | Type EVS | M ₂ max [Nm] | Type EVS | | | | |
| 61 | 274 | 3.0 | 12.400 | 87 | 9323 | 115 | 9324 | 279 | 274 | 7.23E-04 | GSS05 - 2S □□□ 071C03 MDSKS□□ 071-03 170 |
| 70 | 246 | 3.2 | 13.810 | 101 | 9323 | 133 | 9324 | 275 | 246 | 6.64E-04 | GSS05 - 2S □□□ 071C03 MDSKS□□ 071-03 170 |
| 78 | 214 | 2.8 | 15.869 | 112 | 9323 | 148 | 9324 | 301 | 214 | 6.84E-04 | GSS05 - 2S □□□ 071C03 MDSKS□□ 071-03 170 |
| 86 | 196 | 2.6 | 17.360 | 123 | 9323 | 162 | 9324 | 311 | 196 | 6.72E-04 | GSS05 - 2S □□□ 071C03 MDSKS□□ 071-03 170 |
| 89 | 167 | 1.6 | 20.417 | 126 | 9323 | 167 | 9324 | 253 | 167 | 7.60E-04 | GSS05 - 2S □□□ 071C03 MDSKS□□ 071-03 170 |
| 110 | 154 | 2.2 | 22.143 | 157 | 9323 | 208 | 9324 | 337 | 154 | 6.50E-04 | GSS05 - 2S □□□ 071C03 MDSKS□□ 071-03 170 |
| 113 | 137 | 1.7 | 24.800 | 160 | 9323 | 212 | 9324 | 280 | 137 | 7.06E-04 | GSS05 - 2S □□□ 071C03 MDSKS□□ 071-03 170 |
| 136 | 125 | 1.9 | 27.125 | 193 | 9323 | 255 | 9324 | 360 | 125 | 6.38E-04 | GSS05 - 2S □□□ 071C03 MDSKS□□ 071-03 170 |
| 147 | 107 | 1.5 | 31.738 | 207 | 9323 | 274 | 9324 | 306 | 107 | 6.73E-04 | GSS05 - 2S □□□ 071C03 MDSKS□□ 071-03 170 |
| 177 | 96 | 1.6 | 35.306 | 251 | 9323 | 332 | 9324 | 360 | 96 | 6.23E-04 | GSS05 - 2S □□□ 071C03 MDSKS□□ 071-03 170 |
| 179 | 87 | 1.3 | 39.200 | 252 | 9323 | 333 | 9324 | 323 | 87 | 6.61E-04 | GSS05 - 2S □□□ 071C03 MDSKS□□ 071-03 170 |
| 221 | 77 | 1.4 | 43.917 | 312 | 9323 | 413 | 9324 | 360 | 77 | 6.17E-04 | GSS05 - 2S □□□ 071C03 MDSKS□□ 071-03 170 |
| 229 | 68 | 1.1 | 50.000 | 323 | 9323 | 380 | 9324 | 353 | 68 | 6.43E-04 | GSS05 - 2S □□□ 071C03 MDSKS□□ 071-03 170 |
| 254 | 63 | 1.1 | 54.250 | 358 | 9323 | 403 | 9324 | 360 | 63 | 6.34E-04 | GSS05 - 2S □□□ 071C03 MDSKS□□ 071-03 170 |
| 41 | 656 | 2.6 | 5.639 | 63 | 9324 | 87 | 9325 | 219 | 656 | 1.08E-03 | GSS05 - 2S □□□ 071C13 MDSKS□□ 071-13 185 |
| 57 | 478 | 2.4 | 7.733 | 87 | 9324 | 120 | 9325 | 267 | 478 | 9.66E-04 | GSS05 - 2S □□□ 071C13 MDSKS□□ 071-13 185 |
| 64 | 409 | 1.6 | 9.042 | 97 | 9324 | 134 | 9325 | 251 | 409 | 1.00E-03 | GSS05 - 2S □□□ 071C13 MDSKS□□ 071-13 185 |
| 74 | 374 | 2.2 | 9.897 | 112 | 9324 | 154 | 9325 | 271 | 374 | 9.10E-04 | GSS05 - 2S □□□ 071C13 MDSKS□□ 071-13 185 |
| 81 | 342 | 2.1 | 10.827 | 122 | 9324 | 169 | 9325 | 272 | 342 | 8.94E-04 | GSS05 - 2S □□□ 071C13 MDSKS□□ 071-13 185 |
| 89 | 298 | 1.8 | 12.400 | 135 | 9324 | 187 | 9325 | 279 | 298 | 9.23E-04 | GSS05 - 2S □□□ 071C13 MDSKS□□ 071-13 185 |
| 103 | 268 | 2.0 | 13.810 | 157 | 9324 | 216 | 9325 | 275 | 268 | 8.64E-04 | GSS05 - 2S □□□ 071C13 MDSKS□□ 071-13 185 |
| 115 | 233 | 1.8 | 15.869 | 174 | 9324 | 240 | 9325 | 301 | 233 | 8.84E-04 | GSS05 - 2S □□□ 071C13 MDSKS□□ 071-13 185 |
| 126 | 213 | 1.7 | 17.360 | 191 | 9324 | 263 | 9325 | 311 | 213 | 8.72E-04 | GSS05 - 2S □□□ 071C13 MDSKS□□ 071-13 185 |
| 162 | 167 | 1.5 | 22.143 | 244 | 9324 | 337 | 9325 | 337 | 167 | 8.50E-04 | GSS05 - 2S □□□ 071C13 MDSKS□□ 071-13 185 |
| 166 | 149 | 1.1 | 24.800 | 249 | 9324 | 265 | 9325 | 280 | 149 | 9.06E-04 | GSS05 - 2S □□□ 071C13 MDSKS□□ 071-13 185 |
| 199 | 136 | 1.3 | 27.125 | 300 | 9324 | 384 | 9325 | 360 | 136 | 8.38E-04 | GSS05 - 2S □□□ 071C13 MDSKS□□ 071-13 185 |
| 260 | 105 | 1.1 | 35.306 | 390 | 9324 | 419 | 9325 | 360 | 105 | 8.23E-04 | GSS05 - 2S □□□ 071C13 MDSKS□□ 071-13 185 |
| 62 | 638 | 1.8 | 5.639 | 121 | 9325 | 91 | 9325 | 219 | 638 | 1.28E-03 | GSS05 - 2S □□□ 071C33 MDSKS□□ 071-33 180 |
| 85 | 466 | 1.6 | 7.733 | 168 | 9325 | 125 | 9325 | 267 | 466 | 1.17E-03 | GSS05 - 2S □□□ 071C33 MDSKS□□ 071-33 180 |
| 96 | 398 | 1.1 | 9.042 | 156 | 9325 | 140 | 9325 | 251 | 398 | 1.20E-03 | GSS05 - 2S □□□ 071C33 MDSKS□□ 071-33 180 |
| 110 | 364 | 1.5 | 9.897 | 215 | 9325 | 161 | 9325 | 271 | 364 | 1.11E-03 | GSS05 - 2S □□□ 071C33 MDSKS□□ 071-33 180 |
| 120 | 333 | 1.4 | 10.827 | 236 | 9325 | 177 | 9325 | 272 | 333 | 1.09E-03 | GSS05 - 2S □□□ 071C33 MDSKS□□ 071-33 180 |
| 133 | 290 | 1.2 | 12.400 | 246 | 9325 | 195 | 9325 | 279 | 290 | 1.12E-03 | GSS05 - 2S □□□ 071C33 MDSKS□□ 071-33 180 |
| 154 | 261 | 1.3 | 13.810 | 302 | 9325 | 226 | 9325 | 275 | 261 | 1.06E-03 | GSS05 - 2S □□□ 071C33 MDSKS□□ 071-33 180 |

Observe the notes for thermal dimensioning.

Selection tables - Helical-worm gearboxes

Naturally ventilated synchronous geared servo motors



| M ₂ [Nm] | n ₂ trans [rpm] | c | i | M ₂ max short-time M ₂ Gr on geared motor at | | | | n ₂ therm gearbox c=1 n ₁ ≤ 1400 rpm | | J _{GM} referred to motor shaft [kgm ²] | Servo helical- worm geared motor Dimensions on Page 7-47 |
|------------------------|-------------------------------|-----|---------|---|-------------|----------------------------|-------------|---|-------|---|---|
| | | | | 8 kHz | | 16 kHz | | [Nm] | [rpm] | | |
| | | | | M ₂ max [Nm] | Type EVS | M ₂ max [Nm] | Type EVS | | | | |
| 172 | 227 | 1.2 | 15.869 | 317 | 9325 | 251 | 9325 | 301 | 227 | 1.08E-03 | GSS05 - 2S □□□ 071C33 MDSKS□□ 071-33 180 |
| 188 | 207 | 1.2 | 17.360 | 330 | 9325 | 275 | 9325 | 311 | 207 | 1.07E-03 | GSS05 - 2S □□□ 071C33 MDSKS□□ 071-33 180 |
| 104 | 87 | 5.3 | 43.917 | 181 | 9322 | 210 | 9323 | 566 | 87 | 1.87E-04 | GSS06 - 2S □□□ 056C23 MDSKS□□ 056-23 190 |
| 112 | 76 | 3.9 | 50.000 | 192 | 9322 | 222 | 9323 | 693 | 76 | 2.56E-04 | GSS06 - 2S □□□ 056C23 MDSKS□□ 056-23 190 |
| 159 | 54 | 3.4 | 70.611 | 271 | 9322 | 314 | 9323 | 720 | 54 | 2.01E-04 | GSS06 - 2S □□□ 056C23 MDSKS□□ 056-23 190 |
| 179 | 48 | 3.1 | 79.722 | 303 | 9322 | 351 | 9323 | 720 | 48 | 1.97E-04 | GSS06 - 2S □□□ 056C23 MDSKS□□ 056-23 190 |
| 198 | 43 | 3.0 | 87.833 | 336 | 9322 | 389 | 9323 | 720 | 43 | 1.84E-04 | GSS06 - 2S □□□ 056C23 MDSKS□□ 056-23 190 |
| 222 | 38 | 2.7 | 99.167 | 375 | 9322 | 434 | 9323 | 720 | 38 | 1.82E-04 | GSS06 - 2S □□□ 056C23 MDSKS□□ 056-23 190 |
| 257 | 33 | 2.5 | 113.667 | 432 | 9322 | 501 | 9323 | 720 | 33 | 1.68E-04 | GSS06 - 2S □□□ 056C23 MDSKS□□ 056-23 190 |
| 287 | 30 | 2.3 | 128.333 | 482 | 9322 | 559 | 9323 | 720 | 30 | 1.66E-04 | GSS06 - 2S □□□ 056C23 MDSKS□□ 056-23 190 |
| 310 | 28 | 2.3 | 137.950 | 521 | 9322 | 603 | 9323 | 720 | 28 | 1.60E-04 | GSS06 - 2S □□□ 056C23 MDSKS□□ 056-23 190 |
| 347 | 24 | 2.0 | 155.750 | 581 | 9322 | 673 | 9323 | 720 | 24 | 1.59E-04 | GSS06 - 2S □□□ 056C23 MDSKS□□ 056-23 190 |
| 390 | 22 | 1.8 | 174.375 | 652 | 9322 | 754 | 9323 | 720 | 22 | 1.53E-04 | GSS06 - 2S □□□ 056C23 MDSKS□□ 056-23 190 |
| 436 | 19 | 1.6 | 196.875 | 726 | 9322 | 840 | 9323 | 720 | 19 | 1.52E-04 | GSS06 - 2S □□□ 056C23 MDSKS□□ 056-23 190 |
| 53 | 280 | 5.0 | 14.286 | 90 | 9323 | 117 | 9324 | 277 | 280 | 3.63E-04 | GSS06 - 2S □□□ 056C33 MDSKS□□ 056-33 200 |
| 80 | 181 | 4.6 | 22.143 | 137 | 9323 | 178 | 9324 | 413 | 181 | 3.39E-04 | GSS06 - 2S □□□ 056C33 MDSKS□□ 056-33 200 |
| 128 | 113 | 4.1 | 35.306 | 217 | 9323 | 283 | 9324 | 543 | 113 | 2.66E-04 | GSS06 - 2S □□□ 056C33 MDSKS□□ 056-33 200 |
| 160 | 91 | 3.5 | 43.917 | 269 | 9323 | 351 | 9324 | 566 | 91 | 2.47E-04 | GSS06 - 2S □□□ 056C33 MDSKS□□ 056-33 200 |
| 171 | 80 | 2.6 | 50.000 | 285 | 9323 | 371 | 9324 | 693 | 80 | 3.16E-04 | GSS06 - 2S □□□ 056C33 MDSKS□□ 056-33 200 |
| 242 | 57 | 2.3 | 70.611 | 403 | 9323 | 525 | 9324 | 720 | 57 | 2.61E-04 | GSS06 - 2S □□□ 056C33 MDSKS□□ 056-33 200 |
| 272 | 50 | 2.1 | 79.722 | 451 | 9323 | 587 | 9324 | 720 | 50 | 2.57E-04 | GSS06 - 2S □□□ 056C33 MDSKS□□ 056-33 200 |
| 301 | 46 | 2.0 | 87.833 | 499 | 9323 | 650 | 9324 | 720 | 46 | 2.44E-04 | GSS06 - 2S □□□ 056C33 MDSKS□□ 056-33 200 |
| 337 | 40 | 1.8 | 99.167 | 558 | 9323 | 726 | 9324 | 720 | 40 | 2.42E-04 | GSS06 - 2S □□□ 056C33 MDSKS□□ 056-33 200 |
| 389 | 35 | 1.7 | 113.667 | 642 | 9323 | 837 | 9324 | 720 | 35 | 2.28E-04 | GSS06 - 2S □□□ 056C33 MDSKS□□ 056-33 200 |
| 435 | 31 | 1.5 | 128.333 | 717 | 9323 | 934 | 9324 | 720 | 31 | 2.26E-04 | GSS06 - 2S □□□ 056C33 MDSKS□□ 056-33 200 |
| 470 | 29 | 1.5 | 137.950 | 774 | 9323 | 1009 | 9324 | 720 | 29 | 2.20E-04 | GSS06 - 2S □□□ 056C33 MDSKS□□ 056-33 200 |
| 525 | 26 | 1.4 | 155.750 | 863 | 9323 | 1075 | 9324 | 720 | 26 | 2.19E-04 | GSS06 - 2S □□□ 056C33 MDSKS□□ 056-33 200 |
| 590 | 23 | 1.2 | 174.375 | 968 | 9323 | 1074 | 9324 | 720 | 23 | 2.13E-04 | GSS06 - 2S □□□ 056C33 MDSKS□□ 056-33 200 |
| 658 | 20 | 1.1 | 196.875 | 1073 | 9323 | 1073 | 9324 | 720 | 20 | 2.12E-04 | GSS06 - 2S □□□ 056C33 MDSKS□□ 056-33 200 |
| 51 | 332 | 5.3 | 10.238 | 75 | 9323 | 99 | 9324 | 397 | 332 | 8.81E-04 | GSS06 - 2S □□□ 071C03 MDSKS□□ 071-03 170 |
| 56 | 304 | 5.2 | 11.200 | 82 | 9323 | 109 | 9324 | 440 | 304 | 8.39E-04 | GSS06 - 2S □□□ 071C03 MDSKS□□ 071-03 170 |
| 72 | 238 | 4.8 | 14.286 | 105 | 9323 | 139 | 9324 | 513 | 238 | 7.63E-04 | GSS06 - 2S □□□ 071C03 MDSKS□□ 071-03 170 |
| 79 | 214 | 4.1 | 15.869 | 114 | 9323 | 151 | 9324 | 597 | 214 | 8.35E-04 | GSS06 - 2S □□□ 071C03 MDSKS□□ 071-03 170 |
| 86 | 196 | 4.0 | 17.360 | 125 | 9323 | 165 | 9324 | 624 | 196 | 8.01E-04 | GSS06 - 2S □□□ 071C03 MDSKS□□ 071-03 170 |

Observe the notes for thermal dimensioning.

Selection tables - Helical-worm gearboxes

Naturally ventilated synchronous geared servo motors

| M ₂ [Nm] | n ₂ trans [rpm] | c | i | M ₂ max short-time M ₂ Gr on geared motor at | | | | n ₂ therm gearbox c=1 n ₁ ≤ 1400 rpm | | J _{GM} referred to motor shaft [kgm ²] | Servo helical- worm geared motor Dimensions on Page 7-47 |
|------------------------|-------------------------------|-----|---------|---|-------------|----------------------------|-------------|---|-------|---|---|
| | | | | 8 kHz | | 16 kHz | | [Nm] | [rpm] | | |
| | | | | M ₂ max [Nm] | Type EVS | M ₂ max [Nm] | Type EVS | | | | |
| 110 | 154 | 3.7 | 22.143 | 159 | 9323 | 211 | 9324 | 673 | 154 | 7.39E-04 | GSS06 - 2S □□□ 071C03 MDSKS□□ 071-03 170 |
| 135 | 125 | 3.5 | 27.125 | 195 | 9323 | 258 | 9324 | 718 | 125 | 7.04E-04 | GSS06 - 2S □□□ 071C03 MDSKS□□ 071-03 170 |
| 150 | 107 | 2.4 | 31.738 | 214 | 9323 | 283 | 9324 | 609 | 107 | 8.10E-04 | GSS06 - 2S □□□ 071C03 MDSKS□□ 071-03 170 |
| 175 | 96 | 3.3 | 35.306 | 253 | 9323 | 334 | 9324 | 720 | 96 | 6.66E-04 | GSS06 - 2S □□□ 071C03 MDSKS□□ 071-03 170 |
| 183 | 87 | 2.2 | 39.200 | 261 | 9323 | 345 | 9324 | 637 | 87 | 7.63E-04 | GSS06 - 2S □□□ 071C03 MDSKS□□ 071-03 170 |
| 219 | 77 | 2.8 | 43.917 | 313 | 9323 | 414 | 9324 | 720 | 77 | 6.47E-04 | GSS06 - 2S □□□ 071C03 MDSKS□□ 071-03 170 |
| 233 | 68 | 2.1 | 50.000 | 332 | 9323 | 439 | 9324 | 693 | 68 | 7.16E-04 | GSS06 - 2S □□□ 071C03 MDSKS□□ 071-03 170 |
| 255 | 63 | 2.1 | 54.250 | 363 | 9323 | 480 | 9324 | 720 | 63 | 6.95E-04 | GSS06 - 2S □□□ 071C03 MDSKS□□ 071-03 170 |
| 285 | 56 | 1.9 | 61.250 | 406 | 9323 | 536 | 9324 | 720 | 56 | 6.89E-04 | GSS06 - 2S □□□ 071C03 MDSKS□□ 071-03 170 |
| 331 | 48 | 1.8 | 70.611 | 469 | 9323 | 620 | 9324 | 720 | 48 | 6.61E-04 | GSS06 - 2S □□□ 071C03 MDSKS□□ 071-03 170 |
| 371 | 43 | 1.6 | 79.722 | 525 | 9323 | 694 | 9324 | 720 | 43 | 6.57E-04 | GSS06 - 2S □□□ 071C03 MDSKS□□ 071-03 170 |
| 411 | 39 | 1.5 | 87.833 | 581 | 9323 | 768 | 9324 | 720 | 39 | 6.44E-04 | GSS06 - 2S □□□ 071C03 MDSKS□□ 071-03 170 |
| 460 | 34 | 1.4 | 99.167 | 649 | 9323 | 858 | 9324 | 720 | 34 | 6.42E-04 | GSS06 - 2S □□□ 071C03 MDSKS□□ 071-03 170 |
| 530 | 30 | 1.3 | 113.667 | 748 | 9323 | 989 | 9324 | 720 | 30 | 6.28E-04 | GSS06 - 2S □□□ 071C03 MDSKS□□ 071-03 170 |
| 593 | 26 | 1.2 | 128.333 | 835 | 9323 | 1058 | 9324 | 720 | 26 | 6.26E-04 | GSS06 - 2S □□□ 071C03 MDSKS□□ 071-03 170 |
| 641 | 25 | 1.1 | 137.950 | 902 | 9323 | 1080 | 9324 | 720 | 25 | 6.20E-04 | GSS06 - 2S □□□ 071C03 MDSKS□□ 071-03 170 |
| 715 | 22 | 1.0 | 155.750 | 1005 | 9323 | 1080 | 9324 | 720 | 22 | 6.19E-04 | GSS06 - 2S □□□ 071C03 MDSKS□□ 071-03 170 |
| 76 | 361 | 3.3 | 10.238 | 116 | 9324 | 161 | 9325 | 397 | 361 | 1.08E-03 | GSS06 - 2S □□□ 071C13 MDSKS□□ 071-13 185 |
| 83 | 330 | 3.2 | 11.200 | 128 | 9324 | 176 | 9325 | 440 | 330 | 1.04E-03 | GSS06 - 2S □□□ 071C13 MDSKS□□ 071-13 185 |
| 106 | 259 | 3.1 | 14.286 | 163 | 9324 | 225 | 9325 | 513 | 259 | 9.63E-04 | GSS06 - 2S □□□ 071C13 MDSKS□□ 071-13 185 |
| 116 | 233 | 2.6 | 15.869 | 178 | 9324 | 245 | 9325 | 597 | 233 | 1.03E-03 | GSS06 - 2S □□□ 071C13 MDSKS□□ 071-13 185 |
| 127 | 213 | 2.5 | 17.360 | 194 | 9324 | 268 | 9325 | 624 | 213 | 1.00E-03 | GSS06 - 2S □□□ 071C13 MDSKS□□ 071-13 185 |
| 163 | 167 | 2.3 | 22.143 | 248 | 9324 | 341 | 9325 | 673 | 167 | 9.39E-04 | GSS06 - 2S □□□ 071C13 MDSKS□□ 071-13 185 |
| 199 | 136 | 2.2 | 27.125 | 303 | 9324 | 417 | 9325 | 718 | 136 | 9.04E-04 | GSS06 - 2S □□□ 071C13 MDSKS□□ 071-13 185 |
| 220 | 117 | 1.5 | 31.738 | 332 | 9324 | 458 | 9325 | 609 | 117 | 1.01E-03 | GSS06 - 2S □□□ 071C13 MDSKS□□ 071-13 185 |
| 259 | 105 | 2.1 | 35.306 | 393 | 9324 | 542 | 9325 | 720 | 105 | 8.66E-04 | GSS06 - 2S □□□ 071C13 MDSKS□□ 071-13 185 |
| 269 | 94 | 1.4 | 39.200 | 406 | 9324 | 560 | 9325 | 637 | 94 | 9.63E-04 | GSS06 - 2S □□□ 071C13 MDSKS□□ 071-13 185 |
| 322 | 84 | 1.9 | 43.917 | 487 | 9324 | 672 | 9325 | 720 | 84 | 8.47E-04 | GSS06 - 2S □□□ 071C13 MDSKS□□ 071-13 185 |
| 343 | 74 | 1.3 | 50.000 | 516 | 9324 | 680 | 9325 | 693 | 74 | 9.16E-04 | GSS06 - 2S □□□ 071C13 MDSKS□□ 071-13 185 |
| 374 | 68 | 1.3 | 54.250 | 564 | 9324 | 738 | 9325 | 720 | 68 | 8.95E-04 | GSS06 - 2S □□□ 071C13 MDSKS□□ 071-13 185 |
| 419 | 60 | 1.2 | 61.250 | 630 | 9324 | 784 | 9325 | 720 | 60 | 8.89E-04 | GSS06 - 2S □□□ 071C13 MDSKS□□ 071-13 185 |
| 485 | 52 | 1.2 | 70.611 | 729 | 9324 | 846 | 9325 | 720 | 52 | 8.61E-04 | GSS06 - 2S □□□ 071C13 MDSKS□□ 071-13 185 |
| 543 | 46 | 1.1 | 79.722 | 816 | 9324 | 858 | 9325 | 720 | 46 | 8.57E-04 | GSS06 - 2S □□□ 071C13 MDSKS□□ 071-13 185 |
| 602 | 42 | 1.0 | 87.833 | 903 | 9324 | 913 | 9325 | 720 | 42 | 8.44E-04 | GSS06 - 2S □□□ 071C13 MDSKS□□ 071-13 185 |

Observe the notes for thermal dimensioning.

Selection tables - Helical-worm gearboxes

Naturally ventilated synchronous geared servo motors



| M ₂ [Nm] | n _{2 trans} [rpm] | c | i | M _{2 max} short-time M _{2 Gr} on geared motor at | | | | n _{2 therm} gearbox c=1 n ₁ ≤ 1400 rpm | | J _{GM} referred to motor shaft [kgm ²] | Servo helical- worm geared motor Dimensions on Page 7-47 |
|------------------------|-------------------------------|------------|----------------|---|-------------|----------------------------|-------------|---|-----------|---|---|
| | | | | 8 kHz | | 16 kHz | | [Nm] | [rpm] | | |
| | | | | M _{2 max} [Nm] | Type EVS | M _{2 max} [Nm] | Type EVS | | | | |
| 114 | 352 | 2.2 | 10.238 | 224 | 9325 | 168 | 9325 | 397 | 352 | 1.28E-03 | GSS06 - 2S □□□ 071C33 MDSKS□□ 071-33 180 |
| 124 | 321 | 2.2 | 11.200 | 246 | 9325 | 184 | 9325 | 440 | 321 | 1.24E-03 | GSS06 - 2S □□□ 071C33 MDSKS□□ 071-33 180 |
| 159 | 252 | 2.1 | 14.286 | 314 | 9325 | 235 | 9325 | 513 | 252 | 1.16E-03 | GSS06 - 2S □□□ 071C33 MDSKS□□ 071-33 180 |
| 174 | 227 | 1.7 | 15.869 | 342 | 9325 | 256 | 9325 | 597 | 227 | 1.23E-03 | GSS06 - 2S □□□ 071C33 MDSKS□□ 071-33 180 |
| 190 | 207 | 1.7 | 17.360 | 374 | 9325 | 280 | 9325 | 624 | 207 | 1.20E-03 | GSS06 - 2S □□□ 071C33 MDSKS□□ 071-33 180 |
| 243 | 163 | 1.6 | 22.143 | 477 | 9325 | 357 | 9325 | 673 | 163 | 1.14E-03 | GSS06 - 2S □□□ 071C33 MDSKS□□ 071-33 180 |
| 297 | 133 | 1.5 | 27.125 | 583 | 9325 | 437 | 9325 | 718 | 133 | 1.10E-03 | GSS06 - 2S □□□ 071C33 MDSKS□□ 071-33 180 |
| 328 | 113 | 1.0 | 31.738 | 503 | 9325 | 479 | 9325 | 609 | 113 | 1.21E-03 | GSS06 - 2S □□□ 071C33 MDSKS□□ 071-33 180 |
| 387 | 102 | 1.4 | 35.306 | 757 | 9325 | 567 | 9325 | 720 | 102 | 1.07E-03 | GSS06 - 2S □□□ 071C33 MDSKS□□ 071-33 180 |
| 480 | 82 | 1.3 | 43.917 | 902 | 9325 | 703 | 9325 | 720 | 82 | 1.05E-03 | GSS06 - 2S □□□ 071C33 MDSKS□□ 071-33 180 |
| 276 | 30 | 1.4 | 126.531 | 458 | 9322 | 531 | 9323 | 720 | 30 | 1.71E-04 | GSS06 - 3S □□□ 056C23 MDSKS□□ 056-23 190 |
| 307 | 27 | 1.4 | 142.857 | 511 | 9322 | 591 | 9323 | 720 | 27 | 1.70E-04 | GSS06 - 3S □□□ 056C23 MDSKS□□ 056-23 190 |
| 336 | 25 | 1.2 | 155.000 | 557 | 9322 | 611 | 9323 | 720 | 25 | 1.67E-04 | GSS06 - 3S □□□ 056C23 MDSKS□□ 056-23 190 |
| 374 | 22 | 1.2 | 175.000 | 619 | 9322 | 680 | 9323 | 720 | 22 | 1.66E-04 | GSS06 - 3S □□□ 056C23 MDSKS□□ 056-23 190 |
| 418 | 20 | 1.0 | 194.857 | 638 | 9322 | 638 | 9323 | 720 | 20 | 1.54E-04 | GSS06 - 3S □□□ 056C23 MDSKS□□ 056-23 190 |
| 465 | 17 | 1.0 | 220.000 | 709 | 9322 | 709 | 9323 | 720 | 17 | 1.54E-04 | GSS06 - 3S □□□ 056C23 MDSKS□□ 056-23 190 |
| 563 | 27 | 1.2 | 126.531 | 793 | 9323 | 1047 | 9324 | 720 | 27 | 6.31E-04 | GSS06 - 3S □□□ 071C03 MDSKS□□ 071-03 170 |
| 628 | 24 | 1.1 | 142.857 | 884 | 9323 | 1058 | 9324 | 720 | 24 | 6.30E-04 | GSS06 - 3S □□□ 071C03 MDSKS□□ 071-03 170 |
| 685 | 22 | 1.1 | 155.000 | 963 | 9323 | 1080 | 9324 | 720 | 22 | 6.27E-04 | GSS06 - 3S □□□ 071C03 MDSKS□□ 071-03 170 |
| 257 | 33 | 4.6 | 113.667 | 443 | 9322 | 513 | 9323 | 1250 | 33 | 2.23E-04 | GSS07 - 2S □□□ 056C23 MDSKS□□ 056-23 190 |
| 288 | 30 | 4.2 | 128.333 | 495 | 9322 | 573 | 9323 | 1250 | 30 | 2.19E-04 | GSS07 - 2S □□□ 056C23 MDSKS□□ 056-23 190 |
| 313 | 28 | 3.9 | 137.950 | 535 | 9322 | 619 | 9323 | 1250 | 28 | 2.01E-04 | GSS07 - 2S □□□ 056C23 MDSKS□□ 056-23 190 |
| 351 | 24 | 3.4 | 155.750 | 598 | 9322 | 692 | 9323 | 1250 | 24 | 1.98E-04 | GSS07 - 2S □□□ 056C23 MDSKS□□ 056-23 190 |
| 395 | 22 | 3.1 | 174.375 | 670 | 9322 | 776 | 9323 | 1250 | 22 | 1.79E-04 | GSS07 - 2S □□□ 056C23 MDSKS□□ 056-23 190 |
| 444 | 19 | 2.7 | 196.875 | 749 | 9322 | 867 | 9323 | 1250 | 19 | 1.77E-04 | GSS07 - 2S □□□ 056C23 MDSKS□□ 056-23 190 |
| 393 | 35 | 3.1 | 113.667 | 659 | 9323 | 858 | 9324 | 1250 | 35 | 2.83E-04 | GSS07 - 2S □□□ 056C33 MDSKS□□ 056-33 200 |
| 440 | 31 | 2.8 | 128.333 | 736 | 9323 | 958 | 9324 | 1250 | 31 | 2.79E-04 | GSS07 - 2S □□□ 056C33 MDSKS□□ 056-33 200 |
| 476 | 29 | 2.6 | 137.950 | 795 | 9323 | 1035 | 9324 | 1250 | 29 | 2.61E-04 | GSS07 - 2S □□□ 056C33 MDSKS□□ 056-33 200 |
| 534 | 26 | 2.3 | 155.750 | 889 | 9323 | 1157 | 9324 | 1250 | 26 | 2.58E-04 | GSS07 - 2S □□□ 056C33 MDSKS□□ 056-33 200 |
| 600 | 23 | 2.0 | 174.375 | 996 | 9323 | 1297 | 9324 | 1250 | 23 | 2.39E-04 | GSS07 - 2S □□□ 056C33 MDSKS□□ 056-33 200 |
| 673 | 20 | 1.8 | 196.875 | 1113 | 9323 | 1450 | 9324 | 1250 | 20 | 2.37E-04 | GSS07 - 2S □□□ 056C33 MDSKS□□ 056-33 200 |
| 108 | 154 | 5.6 | 22.143 | 160 | 9323 | 212 | 9324 | 836 | 154 | 1.02E-03 | GSS07 - 2S □□□ 071C03 MDSKS□□ 071-03 170 |
| 174 | 96 | 4.9 | 35.306 | 255 | 9323 | 337 | 9324 | 1052 | 96 | 7.96E-04 | GSS07 - 2S □□□ 071C03 MDSKS□□ 071-03 170 |
| 213 | 79 | 4.7 | 43.271 | 312 | 9323 | 413 | 9324 | 1090 | 79 | 7.43E-04 | GSS07 - 2S □□□ 071C03 MDSKS□□ 071-03 170 |

Observe the notes for thermal dimensioning.

Selection tables - Helical-worm gearboxes

Naturally ventilated synchronous geared servo motors

| M ₂ [Nm] | n ₂ trans [rpm] | c | i | M ₂ max short-time M ₂ Gr on geared motor at | | | | n ₂ therm gearbox c=1 n ₁ ≤ 1400 rpm | | J _{GM} referred to motor shaft [kgm ²] | Servo helical- worm geared motor Dimensions on Page 7-47 |
|------------------------|-------------------------------|-----|---------|---|-------------|----------------------------|-------------|---|-------|---|---|
| | | | | 8 kHz | | 16 kHz | | [Nm] | [rpm] | | |
| | | | | M ₂ max [Nm] | Type EVS | M ₂ max [Nm] | Type EVS | | | | |
| 235 | 68 | 3.2 | 50.000 | 338 | 9323 | 447 | 9324 | 1250 | 68 | 9.53E-04 | GSS07 - 2S □□□ 071C03 MDSKS□□ 071-03 170 |
| 334 | 48 | 3.0 | 70.611 | 480 | 9323 | 635 | 9324 | 1250 | 48 | 7.81E-04 | GSS07 - 2S □□□ 071C03 MDSKS□□ 071-03 170 |
| 374 | 43 | 2.8 | 79.722 | 537 | 9323 | 710 | 9324 | 1250 | 43 | 7.70E-04 | GSS07 - 2S □□□ 071C03 MDSKS□□ 071-03 170 |
| 409 | 39 | 2.8 | 86.542 | 587 | 9323 | 777 | 9324 | 1250 | 39 | 7.34E-04 | GSS07 - 2S □□□ 071C03 MDSKS□□ 071-03 170 |
| 458 | 35 | 2.5 | 97.708 | 656 | 9323 | 868 | 9324 | 1250 | 35 | 7.26E-04 | GSS07 - 2S □□□ 071C03 MDSKS□□ 071-03 170 |
| 538 | 30 | 2.3 | 113.667 | 767 | 9323 | 1014 | 9324 | 1250 | 30 | 6.83E-04 | GSS07 - 2S □□□ 071C03 MDSKS□□ 071-03 170 |
| 602 | 26 | 2.1 | 128.333 | 857 | 9323 | 1133 | 9324 | 1250 | 26 | 6.79E-04 | GSS07 - 2S □□□ 071C03 MDSKS□□ 071-03 170 |
| 651 | 25 | 1.9 | 137.950 | 925 | 9323 | 1223 | 9324 | 1250 | 25 | 6.61E-04 | GSS07 - 2S □□□ 071C03 MDSKS□□ 071-03 170 |
| 730 | 22 | 1.7 | 155.750 | 1034 | 9323 | 1368 | 9324 | 1250 | 22 | 6.58E-04 | GSS07 - 2S □□□ 071C03 MDSKS□□ 071-03 170 |
| 820 | 20 | 1.5 | 174.375 | 1159 | 9323 | 1533 | 9324 | 1250 | 20 | 6.39E-04 | GSS07 - 2S □□□ 071C03 MDSKS□□ 071-03 170 |
| 918 | 17 | 1.4 | 196.875 | 1296 | 9323 | 1714 | 9324 | 1250 | 17 | 6.37E-04 | GSS07 - 2S □□□ 071C03 MDSKS□□ 071-03 170 |
| 106 | 259 | 4.5 | 14.286 | 165 | 9324 | 227 | 9325 | 559 | 259 | 1.28E-03 | GSS07 - 2S □□□ 071C13 MDSKS□□ 071-13 185 |
| 162 | 167 | 3.5 | 22.143 | 249 | 9324 | 344 | 9325 | 836 | 167 | 1.22E-03 | GSS07 - 2S □□□ 071C13 MDSKS□□ 071-13 185 |
| 258 | 105 | 3.1 | 35.306 | 397 | 9324 | 547 | 9325 | 1052 | 105 | 9.96E-04 | GSS07 - 2S □□□ 071C13 MDSKS□□ 071-13 185 |
| 317 | 86 | 2.9 | 43.271 | 485 | 9324 | 669 | 9325 | 1090 | 86 | 9.43E-04 | GSS07 - 2S □□□ 071C13 MDSKS□□ 071-13 185 |
| 346 | 74 | 2.0 | 50.000 | 526 | 9324 | 725 | 9325 | 1250 | 74 | 1.15E-03 | GSS07 - 2S □□□ 071C13 MDSKS□□ 071-13 185 |
| 493 | 52 | 1.9 | 70.611 | 747 | 9324 | 1030 | 9325 | 1250 | 52 | 9.81E-04 | GSS07 - 2S □□□ 071C13 MDSKS□□ 071-13 185 |
| 551 | 46 | 1.8 | 79.722 | 834 | 9324 | 1151 | 9325 | 1250 | 46 | 9.70E-04 | GSS07 - 2S □□□ 071C13 MDSKS□□ 071-13 185 |
| 603 | 43 | 1.8 | 86.542 | 913 | 9324 | 1259 | 9325 | 1250 | 43 | 9.34E-04 | GSS07 - 2S □□□ 071C13 MDSKS□□ 071-13 185 |
| 675 | 38 | 1.7 | 97.708 | 1020 | 9324 | 1406 | 9325 | 1250 | 38 | 9.26E-04 | GSS07 - 2S □□□ 071C13 MDSKS□□ 071-13 185 |
| 790 | 33 | 1.5 | 113.667 | 1192 | 9324 | 1644 | 9325 | 1250 | 33 | 8.83E-04 | GSS07 - 2S □□□ 071C13 MDSKS□□ 071-13 185 |
| 883 | 29 | 1.4 | 128.333 | 1332 | 9324 | 1836 | 9325 | 1250 | 29 | 8.79E-04 | GSS07 - 2S □□□ 071C13 MDSKS□□ 071-13 185 |
| 955 | 27 | 1.3 | 137.950 | 1438 | 9324 | 1868 | 9325 | 1250 | 27 | 8.61E-04 | GSS07 - 2S □□□ 071C13 MDSKS□□ 071-13 185 |
| 1070 | 24 | 1.2 | 155.750 | 1608 | 9324 | 1869 | 9325 | 1250 | 24 | 8.58E-04 | GSS07 - 2S □□□ 071C13 MDSKS□□ 071-13 185 |
| 1201 | 21 | 1.0 | 174.375 | 1802 | 9324 | 1866 | 9325 | 1250 | 21 | 8.39E-04 | GSS07 - 2S □□□ 071C13 MDSKS□□ 071-13 185 |
| 159 | 252 | 3.1 | 14.286 | 318 | 9325 | 238 | 9325 | 559 | 252 | 1.48E-03 | GSS07 - 2S □□□ 071C33 MDSKS□□ 071-33 180 |
| 243 | 163 | 2.4 | 22.143 | 480 | 9325 | 360 | 9325 | 836 | 163 | 1.42E-03 | GSS07 - 2S □□□ 071C33 MDSKS□□ 071-33 180 |
| 387 | 102 | 2.1 | 35.306 | 764 | 9325 | 572 | 9325 | 1052 | 102 | 1.20E-03 | GSS07 - 2S □□□ 071C33 MDSKS□□ 071-33 180 |
| 474 | 83 | 2.0 | 43.271 | 935 | 9325 | 700 | 9325 | 1090 | 83 | 1.14E-03 | GSS07 - 2S □□□ 071C33 MDSKS□□ 071-33 180 |
| 517 | 72 | 1.4 | 50.000 | 1013 | 9325 | 759 | 9325 | 1250 | 72 | 1.35E-03 | GSS07 - 2S □□□ 071C33 MDSKS□□ 071-33 180 |
| 735 | 51 | 1.3 | 70.611 | 1402 | 9325 | 1077 | 9325 | 1250 | 51 | 1.18E-03 | GSS07 - 2S □□□ 071C33 MDSKS□□ 071-33 180 |
| 822 | 45 | 1.2 | 79.722 | 1486 | 9325 | 1203 | 9325 | 1250 | 45 | 1.17E-03 | GSS07 - 2S □□□ 071C33 MDSKS□□ 071-33 180 |
| 900 | 42 | 1.2 | 86.542 | 1629 | 9325 | 1317 | 9325 | 1250 | 42 | 1.13E-03 | GSS07 - 2S □□□ 071C33 MDSKS□□ 071-33 180 |
| 1006 | 37 | 1.1 | 97.708 | 1700 | 9325 | 1471 | 9325 | 1250 | 37 | 1.13E-03 | GSS07 - 2S □□□ 071C33 MDSKS□□ 071-33 180 |

Observe the notes for thermal dimensioning.

Selection tables - Helical-worm gearboxes

Naturally ventilated synchronous geared servo motors



| M ₂ [Nm] | n ₂ trans [rpm] | c | i | M ₂ max short-time M ₂ Gr on geared motor at | | | | n ₂ therm gearbox c=1 n ₁ ≤ 1400 rpm | | J _{GM} referred to motor shaft [kgm ²] | Servo helical- worm geared motor Dimensions on Page 7-47 |
|------------------------|-------------------------------|------------|----------------|---|-------------|----------------------------|-------------|---|-----------|---|---|
| | | | | 8 kHz | | 16 kHz | | [Nm] | [rpm] | | |
| | | | | M ₂ max [Nm] | Type EVS | M ₂ max [Nm] | Type EVS | | | | |
| 1177 | 32 | 1.0 | 113.667 | 1842 | 9325 | 1720 | 9325 | 1250 | 32 | 1.08E-03 | GSS07 - 2S □□□ 071C33 MDSKS□□ 071-33 180 |
| 278 | 30 | 2.7 | 126.531 | 470 | 9322 | 544 | 9323 | 1250 | 30 | 2.26E-04 | GSS07 - 3S □□□ 056C23 MDSKS□□ 056-23 190 |
| 311 | 27 | 2.6 | 142.857 | 525 | 9322 | 608 | 9323 | 1250 | 27 | 2.22E-04 | GSS07 - 3S □□□ 056C23 MDSKS□□ 056-23 190 |
| 339 | 25 | 2.6 | 155.000 | 572 | 9322 | 662 | 9323 | 1250 | 25 | 2.14E-04 | GSS07 - 3S □□□ 056C23 MDSKS□□ 056-23 190 |
| 380 | 22 | 2.5 | 175.000 | 640 | 9322 | 741 | 9323 | 1250 | 22 | 2.12E-04 | GSS07 - 3S □□□ 056C23 MDSKS□□ 056-23 190 |
| 439 | 19 | 2.3 | 201.746 | 737 | 9322 | 853 | 9323 | 1250 | 19 | 1.77E-04 | GSS07 - 3S □□□ 056C23 MDSKS□□ 056-23 190 |
| 491 | 17 | 2.2 | 227.778 | 823 | 9322 | 953 | 9323 | 1250 | 17 | 1.76E-04 | GSS07 - 3S □□□ 056C23 MDSKS□□ 056-23 190 |
| 535 | 15 | 2.0 | 247.139 | 896 | 9322 | 1037 | 9323 | 1250 | 15 | 1.73E-04 | GSS07 - 3S □□□ 056C23 MDSKS□□ 056-23 190 |
| 597 | 14 | 1.9 | 279.028 | 998 | 9322 | 1156 | 9323 | 1250 | 14 | 1.72E-04 | GSS07 - 3S □□□ 056C23 MDSKS□□ 056-23 190 |
| 695 | 12 | 1.4 | 321.673 | 1155 | 9322 | 1337 | 9323 | 1250 | 12 | 1.68E-04 | GSS07 - 3S □□□ 056C23 MDSKS□□ 056-23 190 |
| 771 | 10 | 1.4 | 363.179 | 1281 | 9322 | 1483 | 9323 | 1250 | 10 | 1.68E-04 | GSS07 - 3S □□□ 056C23 MDSKS□□ 056-23 190 |
| 847 | 9.6 | 1.2 | 394.245 | 1404 | 9322 | 1560 | 9323 | 1250 | 9.6 | 1.66E-04 | GSS07 - 3S □□□ 056C23 MDSKS□□ 056-23 190 |
| 936 | 8.5 | 1.2 | 445.116 | 1553 | 9322 | 1725 | 9323 | 1250 | 8.5 | 1.65E-04 | GSS07 - 3S □□□ 056C23 MDSKS□□ 056-23 190 |
| 1035 | 7.8 | 1.1 | 490.403 | 1663 | 9322 | 1663 | 9323 | 1250 | 7.8 | 1.58E-04 | GSS07 - 3S □□□ 056C23 MDSKS□□ 056-23 190 |
| 1151 | 6.9 | 1.0 | 553.681 | 1774 | 9322 | 1774 | 9323 | 1250 | 6.9 | 1.58E-04 | GSS07 - 3S □□□ 056C23 MDSKS□□ 056-23 190 |
| 422 | 32 | 1.8 | 126.531 | 699 | 9323 | 910 | 9324 | 1250 | 32 | 2.86E-04 | GSS07 - 3S □□□ 056C33 MDSKS□□ 056-33 200 |
| 472 | 28 | 1.7 | 142.857 | 781 | 9323 | 1017 | 9324 | 1250 | 28 | 2.82E-04 | GSS07 - 3S □□□ 056C33 MDSKS□□ 056-33 200 |
| 514 | 26 | 1.7 | 155.000 | 850 | 9323 | 1107 | 9324 | 1250 | 26 | 2.74E-04 | GSS07 - 3S □□□ 056C33 MDSKS□□ 056-33 200 |
| 576 | 23 | 1.7 | 175.000 | 951 | 9323 | 1238 | 9324 | 1250 | 23 | 2.72E-04 | GSS07 - 3S □□□ 056C33 MDSKS□□ 056-33 200 |
| 664 | 20 | 1.5 | 201.746 | 1095 | 9323 | 1426 | 9324 | 1250 | 20 | 2.37E-04 | GSS07 - 3S □□□ 056C33 MDSKS□□ 056-33 200 |
| 743 | 18 | 1.4 | 227.778 | 1224 | 9323 | 1593 | 9324 | 1250 | 18 | 2.36E-04 | GSS07 - 3S □□□ 056C33 MDSKS□□ 056-33 200 |
| 809 | 16 | 1.3 | 247.139 | 1331 | 9323 | 1606 | 9324 | 1250 | 16 | 2.33E-04 | GSS07 - 3S □□□ 056C33 MDSKS□□ 056-33 200 |
| 902 | 14 | 1.3 | 279.028 | 1483 | 9323 | 1719 | 9324 | 1250 | 14 | 2.32E-04 | GSS07 - 3S □□□ 056C33 MDSKS□□ 056-33 200 |
| 571 | 27 | 2.2 | 126.531 | 813 | 9323 | 1075 | 9324 | 1250 | 27 | 6.86E-04 | GSS07 - 3S □□□ 071C03 MDSKS□□ 071-03 170 |
| 639 | 24 | 1.9 | 142.857 | 909 | 9323 | 1202 | 9324 | 1250 | 24 | 6.82E-04 | GSS07 - 3S □□□ 071C03 MDSKS□□ 071-03 170 |
| 697 | 22 | 1.8 | 155.000 | 989 | 9323 | 1308 | 9324 | 1250 | 22 | 6.74E-04 | GSS07 - 3S □□□ 071C03 MDSKS□□ 071-03 170 |
| 782 | 19 | 1.6 | 175.000 | 1107 | 9323 | 1463 | 9324 | 1250 | 19 | 6.72E-04 | GSS07 - 3S □□□ 071C03 MDSKS□□ 071-03 170 |
| 903 | 17 | 1.4 | 201.746 | 1275 | 9323 | 1685 | 9324 | 1250 | 17 | 6.37E-04 | GSS07 - 3S □□□ 071C03 MDSKS□□ 071-03 170 |
| 1011 | 15 | 1.2 | 227.778 | 1424 | 9323 | 1875 | 9324 | 1250 | 15 | 6.36E-04 | GSS07 - 3S □□□ 071C03 MDSKS□□ 071-03 170 |
| 1101 | 14 | 1.1 | 247.139 | 1549 | 9323 | 1875 | 9324 | 1250 | 14 | 6.33E-04 | GSS07 - 3S □□□ 071C03 MDSKS□□ 071-03 170 |
| 1229 | 12 | 1.0 | 279.028 | 1727 | 9323 | 1875 | 9324 | 1250 | 12 | 6.32E-04 | GSS07 - 3S □□□ 071C03 MDSKS□□ 071-03 170 |

Observe the notes for thermal dimensioning.

Selection tables - Helical-worm gearboxes

Forced ventilated synchronous geared servo motors

| M ₂ [Nm] | n ₂ trans [rpm] | c | i | M ₂ max short-time M ₂ Gr on geared motor at | | | | n ₂ therm gearbox c=1 n ₁ ≤ 1400 rpm | | J _G M referred to motor shaft [kgm ²] | Servo helical- worm geared motor Dimensions on Page 7-47 |
|------------------------|-------------------------------|-----|--------|---|-------------|----------------------------|-------------|---|-------|--|---|
| | | | | 8 kHz | | 16 kHz | | [Nm] | [rpm] | | |
| | | | | M ₂ max [Nm] | Type EVS | M ₂ max [Nm] | Type EVS | | | | |
| 37 | 585 | 1.5 | 5.639 | 68 | 9324 | 53 | 9324 | 149 | 585 | 7.12E-04 | GSS04 - 2S □□□ 071C03 MDFKS□□ 071-03 165 |
| 51 | 427 | 1.7 | 7.733 | 94 | 9324 | 73 | 9324 | 158 | 427 | 6.65E-04 | GSS04 - 2S □□□ 071C03 MDFKS□□ 071-03 165 |
| 60 | 365 | 1.8 | 9.042 | 110 | 9324 | 85 | 9324 | 154 | 365 | 6.81E-04 | GSS04 - 2S □□□ 071C03 MDFKS□□ 071-03 165 |
| 66 | 333 | 1.7 | 9.897 | 122 | 9324 | 94 | 9324 | 161 | 333 | 6.43E-04 | GSS04 - 2S □□□ 071C03 MDFKS□□ 071-03 165 |
| 73 | 305 | 1.7 | 10.827 | 133 | 9324 | 103 | 9324 | 161 | 305 | 6.37E-04 | GSS04 - 2S □□□ 071C03 MDFKS□□ 071-03 165 |
| 82 | 266 | 1.5 | 12.400 | 151 | 9324 | 117 | 9324 | 170 | 266 | 6.49E-04 | GSS04 - 2S □□□ 071C03 MDFKS□□ 071-03 165 |
| 93 | 239 | 1.6 | 13.810 | 171 | 9324 | 132 | 9324 | 163 | 239 | 6.25E-04 | GSS04 - 2S □□□ 071C03 MDFKS□□ 071-03 165 |
| 105 | 208 | 1.3 | 15.869 | 193 | 9324 | 149 | 9324 | 180 | 208 | 6.33E-04 | GSS04 - 2S □□□ 071C03 MDFKS□□ 071-03 165 |
| 115 | 190 | 1.2 | 17.360 | 211 | 9324 | 163 | 9324 | 180 | 190 | 6.28E-04 | GSS04 - 2S □□□ 071C03 MDFKS□□ 071-03 165 |
| 147 | 149 | 1.0 | 22.143 | 230 | 9324 | 207 | 9324 | 180 | 149 | 6.20E-04 | GSS04 - 2S □□□ 071C03 MDFKS□□ 071-03 165 |
| 88 | 398 | 1.1 | 9.042 | 147 | 9325 | 138 | 9325 | 154 | 398 | 8.81E-04 | GSS04 - 2S □□□ 071C13 MDFKS□□ 071-13 180 |
| 98 | 364 | 1.0 | 9.897 | 153 | 9325 | 153 | 9325 | 161 | 364 | 8.43E-04 | GSS04 - 2S □□□ 071C13 MDFKS□□ 071-13 180 |
| 107 | 333 | 1.0 | 10.827 | 168 | 9325 | 168 | 9325 | 161 | 333 | 8.37E-04 | GSS04 - 2S □□□ 071C13 MDFKS□□ 071-13 180 |
| 137 | 261 | 1.0 | 13.810 | 216 | 9325 | 215 | 9325 | 163 | 261 | 8.25E-04 | GSS04 - 2S □□□ 071C13 MDFKS□□ 071-13 180 |
| 37 | 585 | 3.1 | 5.639 | 69 | 9324 | 54 | 9324 | 219 | 585 | 8.82E-04 | GSS05 - 2S □□□ 071C03 MDFKS□□ 071-03 165 |
| 51 | 427 | 2.9 | 7.733 | 96 | 9324 | 74 | 9324 | 267 | 427 | 7.66E-04 | GSS05 - 2S □□□ 071C03 MDFKS□□ 071-03 165 |
| 58 | 365 | 2.2 | 9.042 | 107 | 9324 | 83 | 9324 | 251 | 365 | 8.01E-04 | GSS05 - 2S □□□ 071C03 MDFKS□□ 071-03 165 |
| 66 | 333 | 2.7 | 9.897 | 123 | 9324 | 95 | 9324 | 271 | 333 | 7.10E-04 | GSS05 - 2S □□□ 071C03 MDFKS□□ 071-03 165 |
| 72 | 305 | 2.6 | 10.827 | 135 | 9324 | 104 | 9324 | 272 | 305 | 6.94E-04 | GSS05 - 2S □□□ 071C03 MDFKS□□ 071-03 165 |
| 80 | 266 | 2.3 | 12.400 | 149 | 9324 | 115 | 9324 | 279 | 266 | 7.23E-04 | GSS05 - 2S □□□ 071C03 MDFKS□□ 071-03 165 |
| 93 | 239 | 2.4 | 13.810 | 172 | 9324 | 133 | 9324 | 275 | 239 | 6.64E-04 | GSS05 - 2S □□□ 071C03 MDFKS□□ 071-03 165 |
| 104 | 208 | 2.1 | 15.869 | 191 | 9324 | 148 | 9324 | 301 | 208 | 6.84E-04 | GSS05 - 2S □□□ 071C03 MDFKS□□ 071-03 165 |
| 114 | 190 | 2.0 | 17.360 | 210 | 9324 | 162 | 9324 | 311 | 190 | 6.72E-04 | GSS05 - 2S □□□ 071C03 MDFKS□□ 071-03 165 |
| 118 | 162 | 1.2 | 20.417 | 211 | 9324 | 167 | 9324 | 253 | 162 | 7.60E-04 | GSS05 - 2S □□□ 071C03 MDFKS□□ 071-03 165 |
| 146 | 149 | 1.7 | 22.143 | 268 | 9324 | 208 | 9324 | 337 | 149 | 6.50E-04 | GSS05 - 2S □□□ 071C03 MDFKS□□ 071-03 165 |
| 150 | 133 | 1.3 | 24.800 | 274 | 9324 | 212 | 9324 | 280 | 133 | 7.06E-04 | GSS05 - 2S □□□ 071C03 MDFKS□□ 071-03 165 |
| 179 | 122 | 1.5 | 27.125 | 329 | 9324 | 255 | 9324 | 360 | 122 | 6.38E-04 | GSS05 - 2S □□□ 071C03 MDFKS□□ 071-03 165 |
| 194 | 104 | 1.1 | 31.738 | 329 | 9324 | 274 | 9324 | 306 | 104 | 6.73E-04 | GSS05 - 2S □□□ 071C03 MDFKS□□ 071-03 165 |
| 234 | 93 | 1.2 | 35.306 | 429 | 9324 | 332 | 9324 | 360 | 93 | 6.23E-04 | GSS05 - 2S □□□ 071C03 MDFKS□□ 071-03 165 |
| 292 | 75 | 1.1 | 43.917 | 470 | 9324 | 413 | 9324 | 360 | 75 | 6.17E-04 | GSS05 - 2S □□□ 071C03 MDFKS□□ 071-03 165 |
| 55 | 638 | 2.0 | 5.639 | 110 | 9325 | 87 | 9325 | 219 | 638 | 1.08E-03 | GSS05 - 2S □□□ 071C13 MDFKS□□ 071-13 180 |
| 76 | 466 | 1.8 | 7.733 | 152 | 9325 | 120 | 9325 | 267 | 466 | 9.66E-04 | GSS05 - 2S □□□ 071C13 MDFKS□□ 071-13 180 |
| 86 | 398 | 1.2 | 9.042 | 156 | 9325 | 134 | 9325 | 251 | 398 | 1.00E-03 | GSS05 - 2S □□□ 071C13 MDFKS□□ 071-13 180 |
| 98 | 364 | 1.7 | 9.897 | 196 | 9325 | 154 | 9325 | 271 | 364 | 9.10E-04 | GSS05 - 2S □□□ 071C13 MDFKS□□ 071-13 180 |

Observe the notes for thermal dimensioning.

Selection tables - Helical-worm gearboxes

Forced ventilated synchronous geared servo motors



| M ₂ [Nm] | n ₂ trans [rpm] | c | i | M ₂ max short-time M ₂ Gr on geared motor at | | | | n ₂ therm gearbox c=1 n ₁ ≤ 1400 rpm | | J _{GM} referred to motor shaft [kgm ²] | Servo helical- worm geared motor Dimensions on Page 7-47 |
|------------------------|-------------------------------|-----|--------|---|-------------|----------------------------|-------------|---|-------------|---|---|
| | | | | 8 kHz | | 16 kHz | | M ₂ max [Nm] | Type EVS | | |
| | | | | M ₂ max [Nm] | Type EVS | M ₂ max [Nm] | Type EVS | | | [rpm] | |
| 107 | 333 | 1.6 | 10.827 | 215 | 9325 | 169 | 9325 | 272 | 333 | 8.94E-04 | GSS05 - 2S □□□ 071C13 MDFKS□□ 071-13 180 |
| 119 | 290 | 1.4 | 12.400 | 237 | 9325 | 187 | 9325 | 279 | 290 | 9.23E-04 | GSS05 - 2S □□□ 071C13 MDFKS□□ 071-13 180 |
| 138 | 261 | 1.5 | 13.810 | 275 | 9325 | 216 | 9325 | 275 | 261 | 8.64E-04 | GSS05 - 2S □□□ 071C13 MDFKS□□ 071-13 180 |
| 153 | 227 | 1.4 | 15.869 | 305 | 9325 | 240 | 9325 | 301 | 227 | 8.84E-04 | GSS05 - 2S □□□ 071C13 MDFKS□□ 071-13 180 |
| 168 | 207 | 1.3 | 17.360 | 330 | 9325 | 263 | 9325 | 311 | 207 | 8.72E-04 | GSS05 - 2S □□□ 071C13 MDFKS□□ 071-13 180 |
| 215 | 163 | 1.1 | 22.143 | 358 | 9325 | 337 | 9325 | 337 | 163 | 8.50E-04 | GSS05 - 2S □□□ 071C13 MDFKS□□ 071-13 180 |
| 81 | 621 | 1.5 | 5.639 | 121 | 9325 | 139 | 9326 | 219 | 621 | 1.28E-03 | GSS05 - 2S □□□ 071C33 MDFKS□□ 071-33 175 |
| 113 | 453 | 1.3 | 7.733 | 168 | 9325 | 192 | 9326 | 267 | 453 | 1.17E-03 | GSS05 - 2S □□□ 071C33 MDFKS□□ 071-33 175 |
| 126 | 387 | 1.0 | 9.042 | 187 | 9325 | 190 | 9326 | 251 | 387 | 1.20E-03 | GSS05 - 2S □□□ 071C33 MDFKS□□ 071-33 175 |
| 145 | 354 | 1.2 | 9.897 | 215 | 9325 | 247 | 9326 | 271 | 354 | 1.11E-03 | GSS05 - 2S □□□ 071C33 MDFKS□□ 071-33 175 |
| 159 | 323 | 1.2 | 10.827 | 236 | 9325 | 271 | 9326 | 272 | 323 | 1.09E-03 | GSS05 - 2S □□□ 071C33 MDFKS□□ 071-33 175 |
| 176 | 282 | 1.1 | 12.400 | 261 | 9325 | 280 | 9326 | 279 | 282 | 1.12E-03 | GSS05 - 2S □□□ 071C33 MDFKS□□ 071-33 175 |
| 204 | 253 | 1.1 | 13.810 | 302 | 9325 | 340 | 9326 | 275 | 253 | 1.06E-03 | GSS05 - 2S □□□ 071C33 MDFKS□□ 071-33 175 |
| 68 | 322 | 4.0 | 10.238 | 128 | 9324 | 99 | 9324 | 397 | 322 | 8.81E-04 | GSS06 - 2S □□□ 071C03 MDFKS□□ 071-03 165 |
| 74 | 295 | 4.0 | 11.200 | 140 | 9324 | 109 | 9324 | 440 | 295 | 8.39E-04 | GSS06 - 2S □□□ 071C03 MDFKS□□ 071-03 165 |
| 95 | 231 | 3.7 | 14.286 | 179 | 9324 | 139 | 9324 | 513 | 231 | 7.63E-04 | GSS06 - 2S □□□ 071C03 MDFKS□□ 071-03 165 |
| 105 | 208 | 3.1 | 15.869 | 195 | 9324 | 151 | 9324 | 597 | 208 | 8.35E-04 | GSS06 - 2S □□□ 071C03 MDFKS□□ 071-03 165 |
| 114 | 190 | 3.0 | 17.360 | 214 | 9324 | 165 | 9324 | 624 | 190 | 8.01E-04 | GSS06 - 2S □□□ 071C03 MDFKS□□ 071-03 165 |
| 146 | 149 | 2.8 | 22.143 | 272 | 9324 | 211 | 9324 | 673 | 149 | 7.39E-04 | GSS06 - 2S □□□ 071C03 MDFKS□□ 071-03 165 |
| 179 | 122 | 2.7 | 27.125 | 333 | 9324 | 258 | 9324 | 718 | 122 | 7.04E-04 | GSS06 - 2S □□□ 071C03 MDFKS□□ 071-03 165 |
| 198 | 104 | 1.8 | 31.738 | 365 | 9324 | 283 | 9324 | 609 | 104 | 8.10E-04 | GSS06 - 2S □□□ 071C03 MDFKS□□ 071-03 165 |
| 233 | 93 | 2.5 | 35.306 | 432 | 9324 | 334 | 9324 | 720 | 93 | 6.66E-04 | GSS06 - 2S □□□ 071C03 MDFKS□□ 071-03 165 |
| 242 | 84 | 1.7 | 39.200 | 446 | 9324 | 345 | 9324 | 637 | 84 | 7.63E-04 | GSS06 - 2S □□□ 071C03 MDFKS□□ 071-03 165 |
| 290 | 75 | 2.1 | 43.917 | 535 | 9324 | 414 | 9324 | 720 | 75 | 6.47E-04 | GSS06 - 2S □□□ 071C03 MDFKS□□ 071-03 165 |
| 309 | 66 | 1.6 | 50.000 | 567 | 9324 | 439 | 9324 | 693 | 66 | 7.16E-04 | GSS06 - 2S □□□ 071C03 MDFKS□□ 071-03 165 |
| 337 | 61 | 1.6 | 54.250 | 619 | 9324 | 480 | 9324 | 720 | 61 | 6.95E-04 | GSS06 - 2S □□□ 071C03 MDFKS□□ 071-03 165 |
| 378 | 54 | 1.4 | 61.250 | 693 | 9324 | 536 | 9324 | 720 | 54 | 6.89E-04 | GSS06 - 2S □□□ 071C03 MDFKS□□ 071-03 165 |
| 437 | 47 | 1.3 | 70.611 | 801 | 9324 | 620 | 9324 | 720 | 47 | 6.61E-04 | GSS06 - 2S □□□ 071C03 MDFKS□□ 071-03 165 |
| 490 | 41 | 1.2 | 79.722 | 896 | 9324 | 694 | 9324 | 720 | 41 | 6.57E-04 | GSS06 - 2S □□□ 071C03 MDFKS□□ 071-03 165 |
| 543 | 38 | 1.2 | 87.833 | 956 | 9324 | 768 | 9324 | 720 | 38 | 6.44E-04 | GSS06 - 2S □□□ 071C03 MDFKS□□ 071-03 165 |
| 607 | 33 | 1.1 | 99.167 | 968 | 9324 | 858 | 9324 | 720 | 33 | 6.42E-04 | GSS06 - 2S □□□ 071C03 MDFKS□□ 071-03 165 |
| 101 | 352 | 2.5 | 10.238 | 204 | 9325 | 161 | 9325 | 397 | 352 | 1.08E-03 | GSS06 - 2S □□□ 071C13 MDFKS□□ 071-13 180 |
| 111 | 321 | 2.4 | 11.200 | 224 | 9325 | 176 | 9325 | 440 | 321 | 1.04E-03 | GSS06 - 2S □□□ 071C13 MDFKS□□ 071-13 180 |
| 142 | 252 | 2.3 | 14.286 | 286 | 9325 | 225 | 9325 | 513 | 252 | 9.63E-04 | GSS06 - 2S □□□ 071C13 MDFKS□□ 071-13 180 |

Observe the notes for thermal dimensioning.

Selection tables - Helical-worm gearboxes

Forced ventilated synchronous geared servo motors

| M ₂ [Nm] | n ₂ trans [rpm] | c | i | M ₂ max short-time M ₂ Gr on geared motor at | | | | n ₂ therm gearbox c=1 n ₁ ≤ 1400 rpm | | J _G M referred to motor shaft [kgm ²] | Servo helical- worm geared motor Dimensions on Page 7-47 |
|------------------------|-------------------------------|-----|---------|---|-------------|----------------------------|-------------|---|-------|--|---|
| | | | | 8 kHz | | 16 kHz | | [Nm] | [rpm] | | |
| | | | | M ₂ max [Nm] | Type EVS | M ₂ max [Nm] | Type EVS | | | | |
| 155 | 227 | 1.9 | 15.869 | 311 | 9325 | 245 | 9325 | 597 | 227 | 1.03E-03 | GSS06 - 2S □□□ 071C13 MDFKS□□ 071-13 180 |
| 170 | 207 | 1.9 | 17.360 | 341 | 9325 | 268 | 9325 | 624 | 207 | 1.00E-03 | GSS06 - 2S □□□ 071C13 MDFKS□□ 071-13 180 |
| 217 | 163 | 1.8 | 22.143 | 434 | 9325 | 341 | 9325 | 673 | 163 | 9.39E-04 | GSS06 - 2S □□□ 071C13 MDFKS□□ 071-13 180 |
| 265 | 133 | 1.7 | 27.125 | 531 | 9325 | 417 | 9325 | 718 | 133 | 9.04E-04 | GSS06 - 2S □□□ 071C13 MDFKS□□ 071-13 180 |
| 293 | 113 | 1.1 | 31.738 | 503 | 9325 | 458 | 9325 | 609 | 113 | 1.01E-03 | GSS06 - 2S □□□ 071C13 MDFKS□□ 071-13 180 |
| 345 | 102 | 1.6 | 35.306 | 689 | 9325 | 542 | 9325 | 720 | 102 | 8.66E-04 | GSS06 - 2S □□□ 071C13 MDFKS□□ 071-13 180 |
| 358 | 92 | 1.1 | 39.200 | 573 | 9325 | 560 | 9325 | 637 | 92 | 9.63E-04 | GSS06 - 2S □□□ 071C13 MDFKS□□ 071-13 180 |
| 428 | 82 | 1.4 | 43.917 | 854 | 9325 | 672 | 9325 | 720 | 82 | 8.47E-04 | GSS06 - 2S □□□ 071C13 MDFKS□□ 071-13 180 |
| 150 | 342 | 1.9 | 10.238 | 224 | 9325 | 258 | 9326 | 397 | 342 | 1.28E-03 | GSS06 - 2S □□□ 071C33 MDFKS□□ 071-33 175 |
| 164 | 313 | 1.8 | 11.200 | 246 | 9325 | 282 | 9326 | 440 | 313 | 1.24E-03 | GSS06 - 2S □□□ 071C33 MDFKS□□ 071-33 175 |
| 211 | 245 | 1.7 | 14.286 | 314 | 9325 | 361 | 9326 | 513 | 245 | 1.16E-03 | GSS06 - 2S □□□ 071C33 MDFKS□□ 071-33 175 |
| 230 | 221 | 1.4 | 15.869 | 342 | 9325 | 393 | 9326 | 597 | 221 | 1.23E-03 | GSS06 - 2S □□□ 071C33 MDFKS□□ 071-33 175 |
| 252 | 202 | 1.4 | 17.360 | 374 | 9325 | 430 | 9326 | 624 | 202 | 1.20E-03 | GSS06 - 2S □□□ 071C33 MDFKS□□ 071-33 175 |
| 321 | 158 | 1.3 | 22.143 | 477 | 9325 | 548 | 9326 | 673 | 158 | 1.14E-03 | GSS06 - 2S □□□ 071C33 MDFKS□□ 071-33 175 |
| 393 | 129 | 1.2 | 27.125 | 583 | 9325 | 670 | 9326 | 718 | 129 | 1.10E-03 | GSS06 - 2S □□□ 071C33 MDFKS□□ 071-33 175 |
| 511 | 99 | 1.1 | 35.306 | 757 | 9325 | 870 | 9326 | 720 | 99 | 1.07E-03 | GSS06 - 2S □□□ 071C33 MDFKS□□ 071-33 175 |
| 95 | 231 | 5.5 | 14.286 | 181 | 9324 | 140 | 9324 | 559 | 231 | 1.08E-03 | GSS07 - 2S □□□ 071C03 MDFKS□□ 071-03 165 |
| 145 | 149 | 4.2 | 22.143 | 274 | 9324 | 212 | 9324 | 836 | 149 | 1.02E-03 | GSS07 - 2S □□□ 071C03 MDFKS□□ 071-03 165 |
| 232 | 93 | 3.7 | 35.306 | 436 | 9324 | 337 | 9324 | 1052 | 93 | 7.96E-04 | GSS07 - 2S □□□ 071C03 MDFKS□□ 071-03 165 |
| 284 | 76 | 3.6 | 43.271 | 533 | 9324 | 413 | 9324 | 1090 | 76 | 7.43E-04 | GSS07 - 2S □□□ 071C03 MDFKS□□ 071-03 165 |
| 311 | 66 | 2.4 | 50.000 | 578 | 9324 | 447 | 9324 | 1250 | 66 | 9.53E-04 | GSS07 - 2S □□□ 071C03 MDFKS□□ 071-03 165 |
| 443 | 47 | 2.3 | 70.611 | 820 | 9324 | 635 | 9324 | 1250 | 47 | 7.81E-04 | GSS07 - 2S □□□ 071C03 MDFKS□□ 071-03 165 |
| 496 | 41 | 2.2 | 79.722 | 917 | 9324 | 710 | 9324 | 1250 | 41 | 7.70E-04 | GSS07 - 2S □□□ 071C03 MDFKS□□ 071-03 165 |
| 543 | 38 | 2.1 | 86.542 | 1003 | 9324 | 777 | 9324 | 1250 | 38 | 7.34E-04 | GSS07 - 2S □□□ 071C03 MDFKS□□ 071-03 165 |
| 608 | 34 | 1.9 | 97.708 | 1121 | 9324 | 868 | 9324 | 1250 | 34 | 7.26E-04 | GSS07 - 2S □□□ 071C03 MDFKS□□ 071-03 165 |
| 712 | 29 | 1.7 | 113.667 | 1310 | 9324 | 1014 | 9324 | 1250 | 29 | 6.83E-04 | GSS07 - 2S □□□ 071C03 MDFKS□□ 071-03 165 |
| 797 | 26 | 1.6 | 128.333 | 1463 | 9324 | 1133 | 9324 | 1250 | 26 | 6.79E-04 | GSS07 - 2S □□□ 071C03 MDFKS□□ 071-03 165 |
| 862 | 24 | 1.4 | 137.950 | 1580 | 9324 | 1223 | 9324 | 1250 | 24 | 6.61E-04 | GSS07 - 2S □□□ 071C03 MDFKS□□ 071-03 165 |
| 965 | 21 | 1.3 | 155.750 | 1767 | 9324 | 1368 | 9324 | 1250 | 21 | 6.58E-04 | GSS07 - 2S □□□ 071C03 MDFKS□□ 071-03 165 |
| 1084 | 19 | 1.2 | 174.375 | 1875 | 9324 | 1533 | 9324 | 1250 | 19 | 6.39E-04 | GSS07 - 2S □□□ 071C03 MDFKS□□ 071-03 165 |
| 1213 | 17 | 1.0 | 196.875 | 1875 | 9324 | 1714 | 9324 | 1250 | 17 | 6.37E-04 | GSS07 - 2S □□□ 071C03 MDFKS□□ 071-03 165 |
| 142 | 252 | 3.4 | 14.286 | 289 | 9325 | 227 | 9325 | 559 | 252 | 1.28E-03 | GSS07 - 2S □□□ 071C13 MDFKS□□ 071-13 180 |
| 216 | 163 | 2.6 | 22.143 | 437 | 9325 | 344 | 9325 | 836 | 163 | 1.22E-03 | GSS07 - 2S □□□ 071C13 MDFKS□□ 071-13 180 |
| 345 | 102 | 2.3 | 35.306 | 695 | 9325 | 547 | 9325 | 1052 | 102 | 9.96E-04 | GSS07 - 2S □□□ 071C13 MDFKS□□ 071-13 180 |

Observe the notes for thermal dimensioning.

Selection tables - Helical-worm gearboxes

Forced ventilated synchronous geared servo motors



| M ₂ [Nm] | n ₂ trans [rpm] | c | i | M ₂ max short-time M ₂ Gr on geared motor at | | | | n ₂ therm gearbox c=1 | | J _{GM} referred to motor shaft [kgm ²] | Servo helical- worm geared motor Dimensions on Page 7-47 |
|------------------------|-------------------------------|------------|----------------|---|-------------|----------------------------|-------------|--|-----------|---|---|
| | | | | 8 kHz | | 16 kHz | | n ₁ ≤ 1400 rpm [Nm] | [rpm] | | |
| | | | | M ₂ max [Nm] | Type EVS | M ₂ max [Nm] | Type EVS | | | | |
| 423 | 83 | 2.2 | 43.271 | 850 | 9325 | 669 | 9325 | 1090 | 83 | 9.43E-04 | GSS07 - 2S □□□ 071C13 MDFKS□□ 071-13 180 |
| 462 | 72 | 1.5 | 50.000 | 922 | 9325 | 725 | 9325 | 1250 | 72 | 1.15E-03 | GSS07 - 2S □□□ 071C13 MDFKS□□ 071-13 180 |
| 656 | 51 | 1.4 | 70.611 | 1308 | 9325 | 1030 | 9325 | 1250 | 51 | 9.81E-04 | GSS07 - 2S □□□ 071C13 MDFKS□□ 071-13 180 |
| 734 | 45 | 1.3 | 79.722 | 1462 | 9325 | 1151 | 9325 | 1250 | 45 | 9.70E-04 | GSS07 - 2S □□□ 071C13 MDFKS□□ 071-13 180 |
| 803 | 42 | 1.3 | 86.542 | 1600 | 9325 | 1259 | 9325 | 1250 | 42 | 9.34E-04 | GSS07 - 2S □□□ 071C13 MDFKS□□ 071-13 180 |
| 898 | 37 | 1.3 | 97.708 | 1700 | 9325 | 1406 | 9325 | 1250 | 37 | 9.26E-04 | GSS07 - 2S □□□ 071C13 MDFKS□□ 071-13 180 |
| 1051 | 32 | 1.2 | 113.667 | 1842 | 9325 | 1644 | 9325 | 1250 | 32 | 8.83E-04 | GSS07 - 2S □□□ 071C13 MDFKS□□ 071-13 180 |
| 1176 | 28 | 1.1 | 128.333 | 1868 | 9325 | 1836 | 9325 | 1250 | 28 | 8.79E-04 | GSS07 - 2S □□□ 071C13 MDFKS□□ 071-13 180 |
| 211 | 245 | 2.5 | 14.286 | 318 | 9325 | 365 | 9326 | 559 | 245 | 1.48E-03 | GSS07 - 2S □□□ 071C33 MDFKS□□ 071-33 175 |
| 321 | 158 | 2.0 | 22.143 | 480 | 9325 | 552 | 9326 | 836 | 158 | 1.42E-03 | GSS07 - 2S □□□ 071C33 MDFKS□□ 071-33 175 |
| 512 | 99 | 1.7 | 35.306 | 764 | 9325 | 878 | 9326 | 1052 | 99 | 1.20E-03 | GSS07 - 2S □□□ 071C33 MDFKS□□ 071-33 175 |
| 627 | 81 | 1.6 | 43.271 | 935 | 9325 | 1073 | 9326 | 1090 | 81 | 1.14E-03 | GSS07 - 2S □□□ 071C33 MDFKS□□ 071-33 175 |
| 683 | 70 | 1.1 | 50.000 | 1013 | 9325 | 1159 | 9326 | 1250 | 70 | 1.35E-03 | GSS07 - 2S □□□ 071C33 MDFKS□□ 071-33 175 |
| 971 | 50 | 1.1 | 70.611 | 1438 | 9325 | 1537 | 9326 | 1250 | 50 | 1.18E-03 | GSS07 - 2S □□□ 071C33 MDFKS□□ 071-33 175 |
| 756 | 26 | 1.6 | 126.531 | 1389 | 9324 | 1075 | 9324 | 1250 | 26 | 6.86E-04 | GSS07 - 3S □□□ 071C03 MDFKS□□ 071-03 165 |
| 846 | 23 | 1.5 | 142.857 | 1552 | 9324 | 1202 | 9324 | 1250 | 23 | 6.82E-04 | GSS07 - 3S □□□ 071C03 MDFKS□□ 071-03 165 |
| 922 | 21 | 1.3 | 155.000 | 1690 | 9324 | 1308 | 9324 | 1250 | 21 | 6.74E-04 | GSS07 - 3S □□□ 071C03 MDFKS□□ 071-03 165 |
| 1034 | 19 | 1.2 | 175.000 | 1875 | 9324 | 1463 | 9324 | 1250 | 19 | 6.72E-04 | GSS07 - 3S □□□ 071C03 MDFKS□□ 071-03 165 |
| 1193 | 16 | 1.0 | 201.746 | 1875 | 9324 | 1685 | 9324 | 1250 | 16 | 6.37E-04 | GSS07 - 3S □□□ 071C03 MDFKS□□ 071-03 165 |

Observe the notes for thermal dimensioning.

Selection tables - Helical-worm gearboxes

Naturally ventilated asynchronous geared servo motors

| M ₂ [Nm] | n ₂ trans [rpm] | c | i | M ₂ max short-time M ₂ Gr on geared motor at | | | | n ₂ therm gearbox c=1 n ₁ ≤ 1400 rpm | | J _G M referred to motor shaft [kgm ²] | Servo helical- worm geared motor Dimensions on Page 7-47 |
|------------------------|-------------------------------|-----|--------|---|-------------|----------------------------|-------------|---|-------|--|---|
| | | | | 8 kHz | | 16 kHz | | [Nm] | [rpm] | | |
| | | | | M ₂ max [Nm] | Type EVS | M ₂ max [Nm] | Type EVS | | | | |
| 10 | 700 | 4.4 | 5.639 | 22 | 9322 | 26 | 9323 | 108 | 700 | 3.52E-04 | GSS04 - 2A □□□ 056C22 MDSKA□□ 056-22 140 |
| 13 | 511 | 5.4 | 7.733 | 31 | 9322 | 37 | 9323 | 149 | 511 | 3.05E-04 | GSS04 - 2A □□□ 056C22 MDSKA□□ 056-22 140 |
| 17 | 399 | 5.7 | 9.897 | 40 | 9322 | 47 | 9323 | 161 | 399 | 2.83E-04 | GSS04 - 2A □□□ 056C22 MDSKA□□ 056-22 140 |
| 18 | 365 | 5.7 | 10.827 | 43 | 9322 | 52 | 9323 | 161 | 365 | 2.77E-04 | GSS04 - 2A □□□ 056C22 MDSKA□□ 056-22 140 |
| 21 | 319 | 5.5 | 12.400 | 49 | 9322 | 58 | 9323 | 170 | 319 | 2.89E-04 | GSS04 - 2A □□□ 056C22 MDSKA□□ 056-22 140 |
| 24 | 286 | 5.8 | 13.810 | 56 | 9322 | 66 | 9323 | 163 | 286 | 2.65E-04 | GSS04 - 2A □□□ 056C22 MDSKA□□ 056-22 140 |
| 27 | 249 | 4.7 | 15.869 | 63 | 9322 | 75 | 9323 | 180 | 249 | 2.73E-04 | GSS04 - 2A □□□ 056C22 MDSKA□□ 056-22 140 |
| 30 | 228 | 4.4 | 17.360 | 69 | 9322 | 82 | 9323 | 180 | 228 | 2.68E-04 | GSS04 - 2A □□□ 056C22 MDSKA□□ 056-22 140 |
| 32 | 193 | 3.2 | 20.417 | 73 | 9322 | 87 | 9323 | 153 | 193 | 3.07E-04 | GSS04 - 2A □□□ 056C22 MDSKA□□ 056-22 140 |
| 38 | 178 | 3.7 | 22.143 | 87 | 9322 | 104 | 9323 | 180 | 178 | 2.60E-04 | GSS04 - 2A □□□ 056C22 MDSKA□□ 056-22 140 |
| 40 | 159 | 2.9 | 24.800 | 91 | 9322 | 108 | 9323 | 171 | 159 | 2.82E-04 | GSS04 - 2A □□□ 056C22 MDSKA□□ 056-22 140 |
| 47 | 146 | 3.3 | 27.125 | 106 | 9322 | 127 | 9323 | 180 | 146 | 2.54E-04 | GSS04 - 2A □□□ 056C22 MDSKA□□ 056-22 140 |
| 51 | 124 | 2.5 | 31.738 | 116 | 9322 | 138 | 9323 | 180 | 124 | 2.69E-04 | GSS04 - 2A □□□ 056C22 MDSKA□□ 056-22 140 |
| 59 | 116 | 2.8 | 34.100 | 133 | 9322 | 159 | 9323 | 180 | 116 | 2.50E-04 | GSS04 - 2A □□□ 056C22 MDSKA□□ 056-22 140 |
| 62 | 101 | 2.1 | 39.200 | 140 | 9322 | 167 | 9323 | 180 | 101 | 2.65E-04 | GSS04 - 2A □□□ 056C22 MDSKA□□ 056-22 140 |
| 76 | 90 | 2.3 | 43.917 | 171 | 9322 | 203 | 9323 | 180 | 90 | 2.46E-04 | GSS04 - 2A □□□ 056C22 MDSKA□□ 056-22 140 |
| 79 | 79 | 1.8 | 50.000 | 177 | 9322 | 211 | 9323 | 180 | 79 | 2.57E-04 | GSS04 - 2A □□□ 056C22 MDSKA□□ 056-22 140 |
| 87 | 73 | 1.8 | 54.250 | 196 | 9322 | 234 | 9323 | 180 | 73 | 2.53E-04 | GSS04 - 2A □□□ 056C22 MDSKA□□ 056-22 140 |
| 96 | 64 | 1.6 | 61.250 | 216 | 9322 | 235 | 9323 | 180 | 64 | 2.53E-04 | GSS04 - 2A □□□ 056C22 MDSKA□□ 056-22 140 |
| 109 | 58 | 1.5 | 68.200 | 245 | 9322 | 254 | 9323 | 180 | 58 | 2.49E-04 | GSS04 - 2A □□□ 056C22 MDSKA□□ 056-22 140 |
| 120 | 51 | 1.4 | 77.000 | 253 | 9322 | 253 | 9323 | 180 | 51 | 2.49E-04 | GSS04 - 2A □□□ 056C22 MDSKA□□ 056-22 140 |
| 140 | 45 | 1.3 | 87.833 | 269 | 9322 | 269 | 9323 | 180 | 45 | 2.46E-04 | GSS04 - 2A □□□ 056C22 MDSKA□□ 056-22 140 |
| 154 | 40 | 1.2 | 99.167 | 269 | 9322 | 269 | 9323 | 180 | 40 | 2.46E-04 | GSS04 - 2A □□□ 056C22 MDSKA□□ 056-22 140 |
| 20 | 718 | 2.2 | 5.639 | 63 | 9324 | 46 | 9324 | 149 | 718 | 9.42E-04 | GSS04 - 2A □□□ 071C22 MDSKA□□ 071-22 140 |
| 27 | 524 | 2.7 | 7.733 | 87 | 9324 | 64 | 9324 | 158 | 524 | 8.95E-04 | GSS04 - 2A □□□ 071C22 MDSKA□□ 071-22 140 |
| 31 | 448 | 3.0 | 9.042 | 101 | 9324 | 74 | 9324 | 154 | 448 | 9.11E-04 | GSS04 - 2A □□□ 071C22 MDSKA□□ 071-22 140 |
| 35 | 409 | 2.9 | 9.897 | 112 | 9324 | 82 | 9324 | 161 | 409 | 8.73E-04 | GSS04 - 2A □□□ 071C22 MDSKA□□ 071-22 140 |
| 38 | 374 | 2.9 | 10.827 | 123 | 9324 | 90 | 9324 | 161 | 374 | 8.67E-04 | GSS04 - 2A □□□ 071C22 MDSKA□□ 071-22 140 |
| 43 | 327 | 2.7 | 12.400 | 139 | 9324 | 101 | 9324 | 170 | 327 | 8.79E-04 | GSS04 - 2A □□□ 071C22 MDSKA□□ 071-22 140 |
| 49 | 293 | 2.9 | 13.810 | 158 | 9324 | 115 | 9324 | 163 | 293 | 8.55E-04 | GSS04 - 2A □□□ 071C22 MDSKA□□ 071-22 140 |
| 55 | 255 | 2.3 | 15.869 | 177 | 9324 | 130 | 9324 | 180 | 255 | 8.63E-04 | GSS04 - 2A □□□ 071C22 MDSKA□□ 071-22 140 |
| 61 | 233 | 2.2 | 17.360 | 194 | 9324 | 142 | 9324 | 180 | 233 | 8.58E-04 | GSS04 - 2A □□□ 071C22 MDSKA□□ 071-22 140 |
| 65 | 198 | 1.6 | 20.417 | 159 | 9324 | 151 | 9324 | 153 | 198 | 8.97E-04 | GSS04 - 2A □□□ 071C22 MDSKA□□ 071-22 140 |
| 78 | 183 | 1.9 | 22.143 | 220 | 9324 | 180 | 9324 | 180 | 183 | 8.50E-04 | GSS04 - 2A □□□ 071C22 MDSKA□□ 071-22 140 |

Observe the notes for thermal dimensioning.

Selection tables - Helical-worm gearboxes

Naturally ventilated asynchronous geared servo motors



| M ₂ [Nm] | n ₂ trans [rpm] | c | i | M ₂ max short-time M ₂ Gr on geared motor at | | | | n ₂ therm gearbox c=1 n ₁ ≤ 1400 rpm | | J _{GM} referred to motor shaft [kgm ²] | Servo helical- worm geared motor Dimensions on Page 7-47 |
|------------------------|-------------------------------|-----|---------|---|-------------|----------------------------|-------------|---|-------|---|---|
| | | | | 8 kHz | | 16 kHz | | [Nm] | [rpm] | | |
| | | | | M ₂ max [Nm] | Type EVS | M ₂ max [Nm] | Type EVS | | | | |
| 81 | 163 | 1.5 | 24.800 | 180 | 9324 | 180 | 9324 | 171 | 163 | 8.72E-04 | GSS04 - 2A □□□ 071C22 MDSKA□□ 071-22 140 |
| 95 | 149 | 1.6 | 27.125 | 235 | 9324 | 220 | 9324 | 180 | 149 | 8.44E-04 | GSS04 - 2A □□□ 071C22 MDSKA□□ 071-22 140 |
| 104 | 128 | 1.3 | 31.738 | 196 | 9324 | 196 | 9324 | 180 | 128 | 8.59E-04 | GSS04 - 2A □□□ 071C22 MDSKA□□ 071-22 140 |
| 126 | 103 | 1.1 | 39.200 | 202 | 9324 | 202 | 9324 | 180 | 103 | 8.55E-04 | GSS04 - 2A □□□ 071C22 MDSKA□□ 071-22 140 |
| 46 | 146 | 5.3 | 27.125 | 107 | 9322 | 128 | 9323 | 360 | 146 | 2.78E-04 | GSS05 - 2A □□□ 056C22 MDSKA□□ 056-22 140 |
| 50 | 124 | 4.0 | 31.738 | 115 | 9322 | 137 | 9323 | 306 | 124 | 3.13E-04 | GSS05 - 2A □□□ 056C22 MDSKA□□ 056-22 140 |
| 60 | 112 | 4.5 | 35.306 | 139 | 9322 | 166 | 9323 | 360 | 112 | 2.63E-04 | GSS05 - 2A □□□ 056C22 MDSKA□□ 056-22 140 |
| 61 | 101 | 3.5 | 39.200 | 140 | 9322 | 167 | 9323 | 323 | 101 | 3.01E-04 | GSS05 - 2A □□□ 056C22 MDSKA□□ 056-22 140 |
| 76 | 90 | 3.9 | 43.917 | 174 | 9322 | 207 | 9323 | 360 | 90 | 2.57E-04 | GSS05 - 2A □□□ 056C22 MDSKA□□ 056-22 140 |
| 79 | 79 | 3.0 | 50.000 | 179 | 9322 | 214 | 9323 | 353 | 79 | 2.83E-04 | GSS05 - 2A □□□ 056C22 MDSKA□□ 056-22 140 |
| 87 | 73 | 2.9 | 54.250 | 199 | 9322 | 237 | 9323 | 360 | 73 | 2.74E-04 | GSS05 - 2A □□□ 056C22 MDSKA□□ 056-22 140 |
| 97 | 64 | 2.6 | 61.250 | 220 | 9322 | 262 | 9323 | 360 | 64 | 2.73E-04 | GSS05 - 2A □□□ 056C22 MDSKA□□ 056-22 140 |
| 114 | 56 | 2.4 | 70.611 | 259 | 9322 | 308 | 9323 | 360 | 56 | 2.61E-04 | GSS05 - 2A □□□ 056C22 MDSKA□□ 056-22 140 |
| 127 | 50 | 2.2 | 79.722 | 287 | 9322 | 342 | 9323 | 360 | 50 | 2.61E-04 | GSS05 - 2A □□□ 056C22 MDSKA□□ 056-22 140 |
| 143 | 45 | 2.1 | 87.833 | 322 | 9322 | 384 | 9323 | 360 | 45 | 2.55E-04 | GSS05 - 2A □□□ 056C22 MDSKA□□ 056-22 140 |
| 159 | 40 | 1.9 | 99.167 | 357 | 9322 | 426 | 9323 | 360 | 40 | 2.55E-04 | GSS05 - 2A □□□ 056C22 MDSKA□□ 056-22 140 |
| 186 | 35 | 1.8 | 113.667 | 417 | 9322 | 497 | 9323 | 360 | 35 | 2.50E-04 | GSS05 - 2A □□□ 056C22 MDSKA□□ 056-22 140 |
| 206 | 31 | 1.7 | 128.333 | 463 | 9322 | 516 | 9323 | 360 | 31 | 2.49E-04 | GSS05 - 2A □□□ 056C22 MDSKA□□ 056-22 140 |
| 226 | 29 | 1.6 | 137.950 | 506 | 9322 | 540 | 9323 | 360 | 29 | 2.47E-04 | GSS05 - 2A □□□ 056C22 MDSKA□□ 056-22 140 |
| 251 | 25 | 1.4 | 155.750 | 540 | 9322 | 540 | 9323 | 360 | 25 | 2.47E-04 | GSS05 - 2A □□□ 056C22 MDSKA□□ 056-22 140 |
| 19 | 718 | 5.4 | 5.639 | 64 | 9324 | 47 | 9324 | 219 | 718 | 1.11E-03 | GSS05 - 2A □□□ 071C22 MDSKA□□ 071-22 140 |
| 27 | 524 | 4.9 | 7.733 | 88 | 9324 | 64 | 9324 | 267 | 524 | 9.96E-04 | GSS05 - 2A □□□ 071C22 MDSKA□□ 071-22 140 |
| 30 | 448 | 3.3 | 9.042 | 98 | 9324 | 72 | 9324 | 251 | 448 | 1.03E-03 | GSS05 - 2A □□□ 071C22 MDSKA□□ 071-22 140 |
| 35 | 409 | 4.6 | 9.897 | 113 | 9324 | 83 | 9324 | 271 | 409 | 9.40E-04 | GSS05 - 2A □□□ 071C22 MDSKA□□ 071-22 140 |
| 38 | 374 | 4.4 | 10.827 | 124 | 9324 | 91 | 9324 | 272 | 374 | 9.24E-04 | GSS05 - 2A □□□ 071C22 MDSKA□□ 071-22 140 |
| 42 | 327 | 3.8 | 12.400 | 137 | 9324 | 100 | 9324 | 279 | 327 | 9.53E-04 | GSS05 - 2A □□□ 071C22 MDSKA□□ 071-22 140 |
| 49 | 293 | 4.1 | 13.810 | 159 | 9324 | 116 | 9324 | 275 | 293 | 8.94E-04 | GSS05 - 2A □□□ 071C22 MDSKA□□ 071-22 140 |
| 54 | 255 | 3.8 | 15.869 | 176 | 9324 | 129 | 9324 | 301 | 255 | 9.14E-04 | GSS05 - 2A □□□ 071C22 MDSKA□□ 071-22 140 |
| 60 | 233 | 3.6 | 17.360 | 193 | 9324 | 141 | 9324 | 311 | 233 | 9.02E-04 | GSS05 - 2A □□□ 071C22 MDSKA□□ 071-22 140 |
| 62 | 198 | 2.0 | 20.417 | 194 | 9324 | 145 | 9324 | 253 | 198 | 9.90E-04 | GSS05 - 2A □□□ 071C22 MDSKA□□ 071-22 140 |
| 77 | 183 | 3.0 | 22.143 | 247 | 9324 | 180 | 9324 | 337 | 183 | 8.80E-04 | GSS05 - 2A □□□ 071C22 MDSKA□□ 071-22 140 |
| 79 | 163 | 2.2 | 24.800 | 252 | 9324 | 184 | 9324 | 280 | 163 | 9.36E-04 | GSS05 - 2A □□□ 071C22 MDSKA□□ 071-22 140 |
| 94 | 149 | 2.7 | 27.125 | 303 | 9324 | 221 | 9324 | 360 | 149 | 8.68E-04 | GSS05 - 2A □□□ 071C22 MDSKA□□ 071-22 140 |
| 102 | 128 | 2.0 | 31.738 | 314 | 9324 | 238 | 9324 | 306 | 128 | 9.03E-04 | GSS05 - 2A □□□ 071C22 MDSKA□□ 071-22 140 |

Observe the notes for thermal dimensioning.

Selection tables - Helical-worm gearboxes

Naturally ventilated asynchronous geared servo motors

| M ₂ [Nm] | n ₂ trans [rpm] | c | i | M ₂ max short-time M ₂ Gr on geared motor at | | | | n ₂ therm gearbox c=1 n ₁ ≤ 1400 rpm | | J _{GM} referred to motor shaft [kgm ²] | Servo helical- worm geared motor Dimensions on Page 7-47 |
|------------------------|-------------------------------|-----|--------|---|-------------|----------------------------|-------------|---|-------|---|---|
| | | | | 8 kHz | | 16 kHz | | [Nm] | [rpm] | | |
| | | | | M ₂ max [Nm] | Type EVS | M ₂ max [Nm] | Type EVS | | | | |
| 124 | 115 | 2.2 | 35.306 | 395 | 9324 | 288 | 9324 | 360 | 115 | 8.53E-04 | GSS05 - 2A □□□ 071C22 MDSKA□□ 071-22 140 |
| 125 | 103 | 1.8 | 39.200 | 331 | 9324 | 289 | 9324 | 323 | 103 | 8.91E-04 | GSS05 - 2A □□□ 071C22 MDSKA□□ 071-22 140 |
| 154 | 92 | 1.9 | 43.917 | 451 | 9324 | 359 | 9324 | 360 | 92 | 8.47E-04 | GSS05 - 2A □□□ 071C22 MDSKA□□ 071-22 140 |
| 160 | 81 | 1.5 | 50.000 | 363 | 9324 | 363 | 9324 | 353 | 81 | 8.73E-04 | GSS05 - 2A □□□ 071C22 MDSKA□□ 071-22 140 |
| 178 | 75 | 1.4 | 54.250 | 385 | 9324 | 385 | 9324 | 360 | 75 | 8.64E-04 | GSS05 - 2A □□□ 071C22 MDSKA□□ 071-22 140 |
| 197 | 66 | 1.3 | 61.250 | 392 | 9324 | 392 | 9324 | 360 | 66 | 8.63E-04 | GSS05 - 2A □□□ 071C22 MDSKA□□ 071-22 140 |
| 232 | 57 | 1.2 | 70.611 | 424 | 9324 | 424 | 9324 | 360 | 57 | 8.51E-04 | GSS05 - 2A □□□ 071C22 MDSKA□□ 071-22 140 |
| 258 | 51 | 1.1 | 79.722 | 433 | 9324 | 433 | 9324 | 360 | 51 | 8.51E-04 | GSS05 - 2A □□□ 071C22 MDSKA□□ 071-22 140 |
| 289 | 46 | 1.1 | 87.833 | 459 | 9324 | 459 | 9324 | 360 | 46 | 8.45E-04 | GSS05 - 2A □□□ 071C22 MDSKA□□ 071-22 140 |
| 33 | 355 | 5.1 | 5.639 | 77 | 9323 | 108 | 9324 | 223 | 355 | 2.20E-03 | GSS05 - 2A □□□ 080C22 MDSKA□□ 080-22 70 |
| 45 | 259 | 4.7 | 7.733 | 106 | 9323 | 149 | 9324 | 267 | 259 | 2.09E-03 | GSS05 - 2A □□□ 080C22 MDSKA□□ 080-22 70 |
| 52 | 221 | 4.2 | 9.042 | 120 | 9323 | 169 | 9324 | 251 | 221 | 2.12E-03 | GSS05 - 2A □□□ 080C22 MDSKA□□ 080-22 70 |
| 58 | 202 | 4.3 | 9.897 | 136 | 9323 | 192 | 9324 | 271 | 202 | 2.03E-03 | GSS05 - 2A □□□ 080C22 MDSKA□□ 080-22 70 |
| 64 | 185 | 4.0 | 10.827 | 149 | 9323 | 210 | 9324 | 272 | 185 | 2.01E-03 | GSS05 - 2A □□□ 080C22 MDSKA□□ 080-22 70 |
| 72 | 161 | 3.4 | 12.400 | 166 | 9323 | 233 | 9324 | 279 | 161 | 2.04E-03 | GSS05 - 2A □□□ 080C22 MDSKA□□ 080-22 70 |
| 83 | 145 | 3.2 | 13.810 | 191 | 9323 | 268 | 9324 | 275 | 145 | 1.98E-03 | GSS05 - 2A □□□ 080C22 MDSKA□□ 080-22 70 |
| 92 | 126 | 2.8 | 15.869 | 213 | 9323 | 298 | 9324 | 301 | 126 | 2.00E-03 | GSS05 - 2A □□□ 080C22 MDSKA□□ 080-22 70 |
| 101 | 115 | 2.7 | 17.360 | 233 | 9323 | 327 | 9324 | 311 | 115 | 1.99E-03 | GSS05 - 2A □□□ 080C22 MDSKA□□ 080-22 70 |
| 108 | 98 | 2.0 | 20.417 | 246 | 9323 | 332 | 9324 | 253 | 98 | 2.08E-03 | GSS05 - 2A □□□ 080C22 MDSKA□□ 080-22 70 |
| 130 | 90 | 2.3 | 22.143 | 297 | 9323 | 417 | 9324 | 337 | 90 | 1.97E-03 | GSS05 - 2A □□□ 080C22 MDSKA□□ 080-22 70 |
| 135 | 81 | 1.8 | 24.800 | 307 | 9323 | 370 | 9324 | 280 | 81 | 2.03E-03 | GSS05 - 2A □□□ 080C22 MDSKA□□ 080-22 70 |
| 160 | 74 | 2.0 | 27.125 | 364 | 9323 | 482 | 9324 | 360 | 74 | 1.96E-03 | GSS05 - 2A □□□ 080C22 MDSKA□□ 080-22 70 |
| 174 | 63 | 1.5 | 31.738 | 394 | 9323 | 404 | 9324 | 306 | 63 | 1.99E-03 | GSS05 - 2A □□□ 080C22 MDSKA□□ 080-22 70 |
| 211 | 51 | 1.3 | 39.200 | 427 | 9323 | 427 | 9324 | 323 | 51 | 1.98E-03 | GSS05 - 2A □□□ 080C22 MDSKA□□ 080-22 70 |
| 271 | 40 | 1.1 | 50.000 | 466 | 9323 | 466 | 9324 | 353 | 40 | 1.96E-03 | GSS05 - 2A □□□ 080C22 MDSKA□□ 080-22 70 |
| 299 | 37 | 1.1 | 54.250 | 492 | 9323 | 492 | 9324 | 360 | 37 | 1.95E-03 | GSS05 - 2A □□□ 080C22 MDSKA□□ 080-22 70 |
| 332 | 33 | 1.0 | 61.250 | 503 | 9323 | 503 | 9324 | 360 | 33 | 1.95E-03 | GSS05 - 2A □□□ 080C22 MDSKA□□ 080-22 70 |
| 26 | 727 | 4.0 | 5.639 | 67 | 9324 | 97 | 9325 | 223 | 637 | 2.20E-03 | GSS05 - 2A □□□ 080C22 MDSKA□□ 080-22 140 |
| 37 | 530 | 3.6 | 7.733 | 92 | 9324 | 133 | 9325 | 267 | 464 | 2.09E-03 | GSS05 - 2A □□□ 080C22 MDSKA□□ 080-22 140 |
| 41 | 453 | 2.5 | 9.042 | 103 | 9324 | 149 | 9325 | 251 | 397 | 2.12E-03 | GSS05 - 2A □□□ 080C22 MDSKA□□ 080-22 140 |
| 47 | 414 | 3.4 | 9.897 | 119 | 9324 | 171 | 9325 | 271 | 363 | 2.03E-03 | GSS05 - 2A □□□ 080C22 MDSKA□□ 080-22 140 |
| 52 | 379 | 3.3 | 10.827 | 130 | 9324 | 188 | 9325 | 272 | 332 | 2.01E-03 | GSS05 - 2A □□□ 080C22 MDSKA□□ 080-22 140 |
| 57 | 331 | 2.8 | 12.400 | 143 | 9324 | 208 | 9325 | 279 | 290 | 2.04E-03 | GSS05 - 2A □□□ 080C22 MDSKA□□ 080-22 140 |
| 66 | 297 | 3.1 | 13.810 | 166 | 9324 | 240 | 9325 | 275 | 260 | 1.98E-03 | GSS05 - 2A □□□ 080C22 MDSKA□□ 080-22 140 |

Observe the notes for thermal dimensioning.

Selection tables - Helical-worm gearboxes

Naturally ventilated asynchronous geared servo motors



| M ₂ [Nm] | n ₂ trans [rpm] | c | i | M ₂ max short-time M ₂ Gr on geared motor at | | | | n ₂ therm gearbox c=1 n ₁ ≤ 1400 rpm | | J _{GM} referred to motor shaft [kgm ²] | Servo helical- worm geared motor Dimensions on Page 7-47 |
|------------------------|-------------------------------|------------|----------------|---|-------------|----------------------------|-------------|---|-----------|---|---|
| | | | | 8 kHz | | 16 kHz | | [Nm] | [rpm] | | |
| | | | | M ₂ max [Nm] | Type EVS | M ₂ max [Nm] | Type EVS | | | | |
| 74 | 258 | 2.8 | 15.869 | 185 | 9324 | 267 | 9325 | 301 | 226 | 2.00E-03 | GSS05 - 2A □□□ 080C22 MDSKA□□ 080-22 140 |
| 81 | 236 | 2.7 | 17.360 | 202 | 9324 | 293 | 9325 | 311 | 207 | 1.99E-03 | GSS05 - 2A □□□ 080C22 MDSKA□□ 080-22 140 |
| 85 | 201 | 1.5 | 20.417 | 194 | 9324 | 194 | 9325 | 253 | 176 | 2.08E-03 | GSS05 - 2A □□□ 080C22 MDSKA□□ 080-22 140 |
| 104 | 185 | 2.3 | 22.143 | 259 | 9324 | 358 | 9325 | 337 | 162 | 1.97E-03 | GSS05 - 2A □□□ 080C22 MDSKA□□ 080-22 140 |
| 107 | 165 | 1.6 | 24.800 | 264 | 9324 | 265 | 9325 | 280 | 145 | 2.03E-03 | GSS05 - 2A □□□ 080C22 MDSKA□□ 080-22 140 |
| 128 | 151 | 2.0 | 27.125 | 318 | 9324 | 384 | 9325 | 360 | 132 | 1.96E-03 | GSS05 - 2A □□□ 080C22 MDSKA□□ 080-22 140 |
| 139 | 129 | 1.5 | 31.738 | 314 | 9324 | 314 | 9325 | 306 | 113 | 1.99E-03 | GSS05 - 2A □□□ 080C22 MDSKA□□ 080-22 140 |
| 169 | 105 | 1.3 | 39.200 | 331 | 9324 | 331 | 9325 | 323 | 92 | 1.98E-03 | GSS05 - 2A □□□ 080C22 MDSKA□□ 080-22 140 |
| 217 | 82 | 1.1 | 50.000 | 363 | 9324 | 363 | 9325 | 353 | 72 | 1.96E-03 | GSS05 - 2A □□□ 080C22 MDSKA□□ 080-22 140 |
| 241 | 76 | 1.1 | 54.250 | 385 | 9324 | 385 | 9325 | 360 | 66 | 1.95E-03 | GSS05 - 2A □□□ 080C22 MDSKA□□ 080-22 140 |
| 218 | 31 | 1.2 | 125.476 | 389 | 9322 | 389 | 9323 | 339 | 31 | 2.55E-04 | GSS05 - 3A □□□ 056C22 MDSKA□□ 056-22 140 |
| 265 | 26 | 1.0 | 153.708 | 413 | 9322 | 413 | 9323 | 356 | 26 | 2.52E-04 | GSS05 - 3A □□□ 056C22 MDSKA□□ 056-22 140 |
| 353 | 18 | 1.0 | 222.133 | 537 | 9322 | 537 | 9323 | 360 | 18 | 2.61E-04 | GSS05 - 3A □□□ 056C22 MDSKA□□ 056-22 140 |
| 79 | 79 | 5.5 | 50.000 | 185 | 9322 | 220 | 9323 | 693 | 79 | 3.56E-04 | GSS06 - 2A □□□ 056C22 MDSKA□□ 056-22 140 |
| 112 | 56 | 4.8 | 70.611 | 261 | 9322 | 310 | 9323 | 720 | 56 | 3.01E-04 | GSS06 - 2A □□□ 056C22 MDSKA□□ 056-22 140 |
| 126 | 50 | 4.4 | 79.722 | 292 | 9322 | 347 | 9323 | 720 | 50 | 2.97E-04 | GSS06 - 2A □□□ 056C22 MDSKA□□ 056-22 140 |
| 140 | 45 | 4.2 | 87.833 | 323 | 9322 | 385 | 9323 | 720 | 45 | 2.84E-04 | GSS06 - 2A □□□ 056C22 MDSKA□□ 056-22 140 |
| 157 | 40 | 3.8 | 99.167 | 361 | 9322 | 430 | 9323 | 720 | 40 | 2.82E-04 | GSS06 - 2A □□□ 056C22 MDSKA□□ 056-22 140 |
| 181 | 35 | 3.6 | 113.667 | 416 | 9322 | 495 | 9323 | 720 | 35 | 2.68E-04 | GSS06 - 2A □□□ 056C22 MDSKA□□ 056-22 140 |
| 203 | 31 | 3.2 | 128.333 | 464 | 9322 | 552 | 9323 | 720 | 31 | 2.66E-04 | GSS06 - 2A □□□ 056C22 MDSKA□□ 056-22 140 |
| 219 | 29 | 3.2 | 137.950 | 501 | 9322 | 597 | 9323 | 720 | 29 | 2.60E-04 | GSS06 - 2A □□□ 056C22 MDSKA□□ 056-22 140 |
| 245 | 25 | 2.9 | 155.750 | 559 | 9322 | 665 | 9323 | 720 | 25 | 2.59E-04 | GSS06 - 2A □□□ 056C22 MDSKA□□ 056-22 140 |
| 276 | 23 | 2.5 | 174.375 | 626 | 9322 | 746 | 9323 | 720 | 23 | 2.53E-04 | GSS06 - 2A □□□ 056C22 MDSKA□□ 056-22 140 |
| 309 | 20 | 2.3 | 196.875 | 698 | 9322 | 831 | 9323 | 720 | 20 | 2.52E-04 | GSS06 - 2A □□□ 056C22 MDSKA□□ 056-22 140 |
| 54 | 255 | 5.3 | 15.869 | 180 | 9324 | 131 | 9324 | 597 | 255 | 1.06E-03 | GSS06 - 2A □□□ 071C22 MDSKA□□ 071-22 140 |
| 60 | 233 | 5.2 | 17.360 | 197 | 9324 | 144 | 9324 | 624 | 233 | 1.03E-03 | GSS06 - 2A □□□ 071C22 MDSKA□□ 071-22 140 |
| 76 | 183 | 4.9 | 22.143 | 251 | 9324 | 183 | 9324 | 673 | 183 | 9.69E-04 | GSS06 - 2A □□□ 071C22 MDSKA□□ 071-22 140 |
| 93 | 149 | 4.6 | 27.125 | 306 | 9324 | 224 | 9324 | 718 | 149 | 9.34E-04 | GSS06 - 2A □□□ 071C22 MDSKA□□ 071-22 140 |
| 104 | 128 | 3.1 | 31.738 | 336 | 9324 | 246 | 9324 | 609 | 128 | 1.04E-03 | GSS06 - 2A □□□ 071C22 MDSKA□□ 071-22 140 |
| 122 | 115 | 4.3 | 35.306 | 398 | 9324 | 290 | 9324 | 720 | 115 | 8.96E-04 | GSS06 - 2A □□□ 071C22 MDSKA□□ 071-22 140 |
| 127 | 103 | 2.9 | 39.200 | 411 | 9324 | 300 | 9324 | 637 | 103 | 9.93E-04 | GSS06 - 2A □□□ 071C22 MDSKA□□ 071-22 140 |
| 152 | 92 | 3.8 | 43.917 | 493 | 9324 | 360 | 9324 | 720 | 92 | 8.77E-04 | GSS06 - 2A □□□ 071C22 MDSKA□□ 071-22 140 |
| 162 | 81 | 2.7 | 50.000 | 522 | 9324 | 381 | 9324 | 693 | 81 | 9.46E-04 | GSS06 - 2A □□□ 071C22 MDSKA□□ 071-22 140 |
| 177 | 75 | 2.7 | 54.250 | 571 | 9324 | 417 | 9324 | 720 | 75 | 9.25E-04 | GSS06 - 2A □□□ 071C22 MDSKA□□ 071-22 140 |

Observe the notes for thermal dimensioning.

Selection tables - Helical-worm gearboxes

Naturally ventilated asynchronous geared servo motors

| M ₂ [Nm] | n ₂ trans [rpm] | c | i | M ₂ max short-time M ₂ Gr on geared motor at | | | | n ₂ therm gearbox c=1 n ₁ ≤ 1400 rpm | | J _{GM} referred to motor shaft [kgm ²] | Servo helical- worm geared motor Dimensions on Page 7-47 |
|------------------------|-------------------------------|-----|---------|---|-------------|----------------------------|-------------|---|-------|---|---|
| | | | | 8 kHz | | 16 kHz | | [Nm] | [rpm] | | |
| | | | | M ₂ max [Nm] | Type EVS | M ₂ max [Nm] | Type EVS | | | | |
| 199 | 66 | 2.6 | 61.250 | 638 | 9324 | 466 | 9324 | 720 | 66 | 9.19E-04 | GSS06 - 2A □□□ 071C22 MDSKA□□ 071-22 140 |
| 230 | 57 | 2.4 | 70.611 | 738 | 9324 | 539 | 9324 | 720 | 57 | 8.91E-04 | GSS06 - 2A □□□ 071C22 MDSKA□□ 071-22 140 |
| 258 | 51 | 2.2 | 79.722 | 825 | 9324 | 603 | 9324 | 720 | 51 | 8.87E-04 | GSS06 - 2A □□□ 071C22 MDSKA□□ 071-22 140 |
| 286 | 46 | 2.1 | 87.833 | 913 | 9324 | 668 | 9324 | 720 | 46 | 8.74E-04 | GSS06 - 2A □□□ 071C22 MDSKA□□ 071-22 140 |
| 321 | 41 | 1.9 | 99.167 | 925 | 9324 | 746 | 9324 | 720 | 41 | 8.72E-04 | GSS06 - 2A □□□ 071C22 MDSKA□□ 071-22 140 |
| 370 | 36 | 1.8 | 113.667 | 999 | 9324 | 859 | 9324 | 720 | 36 | 8.58E-04 | GSS06 - 2A □□□ 071C22 MDSKA□□ 071-22 140 |
| 414 | 32 | 1.6 | 128.333 | 1011 | 9324 | 959 | 9324 | 720 | 32 | 8.56E-04 | GSS06 - 2A □□□ 071C22 MDSKA□□ 071-22 140 |
| 447 | 29 | 1.6 | 137.950 | 1064 | 9324 | 1036 | 9324 | 720 | 29 | 8.50E-04 | GSS06 - 2A □□□ 071C22 MDSKA□□ 071-22 140 |
| 499 | 26 | 1.4 | 155.750 | 1075 | 9324 | 1075 | 9324 | 720 | 26 | 8.49E-04 | GSS06 - 2A □□□ 071C22 MDSKA□□ 071-22 140 |
| 71 | 161 | 5.5 | 12.400 | 168 | 9323 | 236 | 9324 | 523 | 161 | 2.27E-03 | GSS06 - 2A □□□ 080C22 MDSKA□□ 080-22 70 |
| 83 | 140 | 6.0 | 14.286 | 199 | 9323 | 279 | 9324 | 528 | 140 | 2.08E-03 | GSS06 - 2A □□□ 080C22 MDSKA□□ 080-22 70 |
| 91 | 126 | 5.1 | 15.869 | 215 | 9323 | 302 | 9324 | 605 | 126 | 2.15E-03 | GSS06 - 2A □□□ 080C22 MDSKA□□ 080-22 70 |
| 100 | 115 | 5.0 | 17.360 | 235 | 9323 | 330 | 9324 | 624 | 115 | 2.12E-03 | GSS06 - 2A □□□ 080C22 MDSKA□□ 080-22 70 |
| 111 | 98 | 3.4 | 20.417 | 256 | 9323 | 360 | 9324 | 488 | 98 | 2.34E-03 | GSS06 - 2A □□□ 080C22 MDSKA□□ 080-22 70 |
| 127 | 90 | 4.6 | 22.143 | 299 | 9323 | 420 | 9324 | 673 | 90 | 2.06E-03 | GSS06 - 2A □□□ 080C22 MDSKA□□ 080-22 70 |
| 136 | 81 | 3.2 | 24.800 | 314 | 9323 | 441 | 9324 | 561 | 81 | 2.23E-03 | GSS06 - 2A □□□ 080C22 MDSKA□□ 080-22 70 |
| 156 | 74 | 4.0 | 27.125 | 364 | 9323 | 512 | 9324 | 718 | 74 | 2.02E-03 | GSS06 - 2A □□□ 080C22 MDSKA□□ 080-22 70 |
| 173 | 63 | 3.0 | 31.738 | 400 | 9323 | 562 | 9324 | 609 | 63 | 2.13E-03 | GSS06 - 2A □□□ 080C22 MDSKA□□ 080-22 70 |
| 204 | 57 | 3.3 | 35.306 | 472 | 9323 | 663 | 9324 | 720 | 57 | 1.99E-03 | GSS06 - 2A □□□ 080C22 MDSKA□□ 080-22 70 |
| 213 | 51 | 2.6 | 39.200 | 488 | 9323 | 686 | 9324 | 637 | 51 | 2.08E-03 | GSS06 - 2A □□□ 080C22 MDSKA□□ 080-22 70 |
| 255 | 46 | 2.8 | 43.917 | 585 | 9323 | 822 | 9324 | 720 | 46 | 1.97E-03 | GSS06 - 2A □□□ 080C22 MDSKA□□ 080-22 70 |
| 271 | 40 | 2.2 | 50.000 | 619 | 9323 | 869 | 9324 | 693 | 40 | 2.04E-03 | GSS06 - 2A □□□ 080C22 MDSKA□□ 080-22 70 |
| 296 | 37 | 2.2 | 54.250 | 676 | 9323 | 949 | 9324 | 720 | 37 | 2.02E-03 | GSS06 - 2A □□□ 080C22 MDSKA□□ 080-22 70 |
| 331 | 33 | 2.0 | 61.250 | 755 | 9323 | 990 | 9324 | 720 | 33 | 2.01E-03 | GSS06 - 2A □□□ 080C22 MDSKA□□ 080-22 70 |
| 384 | 28 | 1.8 | 70.611 | 874 | 9323 | 1070 | 9324 | 720 | 28 | 1.98E-03 | GSS06 - 2A □□□ 080C22 MDSKA□□ 080-22 70 |
| 429 | 25 | 1.7 | 79.722 | 975 | 9323 | 1080 | 9324 | 720 | 25 | 1.98E-03 | GSS06 - 2A □□□ 080C22 MDSKA□□ 080-22 70 |
| 475 | 23 | 1.5 | 87.833 | 1078 | 9323 | 1080 | 9324 | 720 | 23 | 1.96E-03 | GSS06 - 2A □□□ 080C22 MDSKA□□ 080-22 70 |
| 531 | 20 | 1.4 | 99.167 | 1080 | 9323 | 1080 | 9324 | 720 | 20 | 1.96E-03 | GSS06 - 2A □□□ 080C22 MDSKA□□ 080-22 70 |
| 27 | 703 | 4.3 | 5.833 | 70 | 9324 | 101 | 9325 | 356 | 615 | 2.62E-03 | GSS06 - 2A □□□ 080C22 MDSKA□□ 080-22 140 |
| 38 | 513 | 4.9 | 8.000 | 96 | 9324 | 139 | 9325 | 489 | 449 | 2.34E-03 | GSS06 - 2A □□□ 080C22 MDSKA□□ 080-22 140 |
| 42 | 453 | 4.7 | 9.042 | 107 | 9324 | 155 | 9325 | 417 | 397 | 2.47E-03 | GSS06 - 2A □□□ 080C22 MDSKA□□ 080-22 140 |
| 48 | 400 | 5.0 | 10.238 | 123 | 9324 | 179 | 9325 | 522 | 351 | 2.20E-03 | GSS06 - 2A □□□ 080C22 MDSKA□□ 080-22 140 |
| 53 | 366 | 5.0 | 11.200 | 135 | 9324 | 196 | 9325 | 524 | 321 | 2.16E-03 | GSS06 - 2A □□□ 080C22 MDSKA□□ 080-22 140 |
| 58 | 331 | 4.3 | 12.400 | 147 | 9324 | 213 | 9325 | 523 | 290 | 2.27E-03 | GSS06 - 2A □□□ 080C22 MDSKA□□ 080-22 140 |

Observe the notes for thermal dimensioning.

Selection tables - Helical-worm gearboxes

Naturally ventilated asynchronous geared servo motors



| M ₂ [Nm] | n ₂ trans [rpm] | c | i | M ₂ max short-time M ₂ Gr on geared motor at | | | | n ₂ therm gearbox c=1 n ₁ ≤ 1400 rpm | | J _{GM} referred to motor shaft [kgm ²] | Servo helical- worm geared motor Dimensions on Page 7-47 |
|------------------------|-------------------------------|-----|--------|---|-------------|----------------------------|-------------|---|-------|---|---|
| | | | | 8 kHz | | 16 kHz | | [Nm] | [rpm] | | |
| | | | | M ₂ max [Nm] | Type EVS | M ₂ max [Nm] | Type EVS | | | | |
| 68 | 287 | 4.7 | 14.286 | 173 | 9324 | 250 | 9325 | 528 | 251 | 2.08E-03 | GSS06 - 2A □□□ 080C22 MDSKA□□ 080-22 140 |
| 75 | 258 | 4.0 | 15.869 | 188 | 9324 | 273 | 9325 | 605 | 226 | 2.15E-03 | GSS06 - 2A □□□ 080C22 MDSKA□□ 080-22 140 |
| 82 | 236 | 3.9 | 17.360 | 206 | 9324 | 298 | 9325 | 624 | 207 | 2.12E-03 | GSS06 - 2A □□□ 080C22 MDSKA□□ 080-22 140 |
| 89 | 201 | 2.6 | 20.417 | 223 | 9324 | 323 | 9325 | 488 | 176 | 2.34E-03 | GSS06 - 2A □□□ 080C22 MDSKA□□ 080-22 140 |
| 104 | 185 | 3.6 | 22.143 | 262 | 9324 | 380 | 9325 | 673 | 162 | 2.06E-03 | GSS06 - 2A □□□ 080C22 MDSKA□□ 080-22 140 |
| 111 | 165 | 2.5 | 24.800 | 276 | 9324 | 399 | 9325 | 561 | 145 | 2.23E-03 | GSS06 - 2A □□□ 080C22 MDSKA□□ 080-22 140 |
| 128 | 151 | 3.4 | 27.125 | 321 | 9324 | 464 | 9325 | 718 | 132 | 2.02E-03 | GSS06 - 2A □□□ 080C22 MDSKA□□ 080-22 140 |
| 142 | 129 | 2.3 | 31.738 | 352 | 9324 | 503 | 9325 | 609 | 113 | 2.13E-03 | GSS06 - 2A □□□ 080C22 MDSKA□□ 080-22 140 |
| 166 | 116 | 3.2 | 35.306 | 417 | 9324 | 603 | 9325 | 720 | 102 | 1.99E-03 | GSS06 - 2A □□□ 080C22 MDSKA□□ 080-22 140 |
| 174 | 105 | 2.2 | 39.200 | 430 | 9324 | 573 | 9325 | 637 | 92 | 2.08E-03 | GSS06 - 2A □□□ 080C22 MDSKA□□ 080-22 140 |
| 207 | 93 | 2.8 | 43.917 | 517 | 9324 | 747 | 9325 | 720 | 82 | 1.97E-03 | GSS06 - 2A □□□ 080C22 MDSKA□□ 080-22 140 |
| 221 | 82 | 2.0 | 50.000 | 547 | 9324 | 680 | 9325 | 693 | 72 | 2.04E-03 | GSS06 - 2A □□□ 080C22 MDSKA□□ 080-22 140 |
| 242 | 76 | 2.0 | 54.250 | 598 | 9324 | 738 | 9325 | 720 | 66 | 2.02E-03 | GSS06 - 2A □□□ 080C22 MDSKA□□ 080-22 140 |
| 270 | 67 | 1.9 | 61.250 | 668 | 9324 | 784 | 9325 | 720 | 59 | 2.01E-03 | GSS06 - 2A □□□ 080C22 MDSKA□□ 080-22 140 |
| 313 | 58 | 1.8 | 70.611 | 773 | 9324 | 846 | 9325 | 720 | 51 | 1.98E-03 | GSS06 - 2A □□□ 080C22 MDSKA□□ 080-22 140 |
| 351 | 51 | 1.6 | 79.722 | 858 | 9324 | 858 | 9325 | 720 | 45 | 1.98E-03 | GSS06 - 2A □□□ 080C22 MDSKA□□ 080-22 140 |
| 389 | 47 | 1.6 | 87.833 | 913 | 9324 | 913 | 9325 | 720 | 41 | 1.96E-03 | GSS06 - 2A □□□ 080C22 MDSKA□□ 080-22 140 |
| 436 | 41 | 1.4 | 99.167 | 925 | 9324 | 925 | 9325 | 720 | 36 | 1.96E-03 | GSS06 - 2A □□□ 080C22 MDSKA□□ 080-22 140 |
| 56 | 394 | 3.9 | 5.833 | 130 | 9324 | 183 | 9325 | 356 | 394 | 4.30E-03 | GSS06 - 2A □□□ 090C22 MDSKA□□ 090-22 80 |
| 77 | 288 | 3.8 | 8.000 | 179 | 9324 | 252 | 9325 | 489 | 288 | 4.02E-03 | GSS06 - 2A □□□ 090C22 MDSKA□□ 090-22 80 |
| 86 | 254 | 3.2 | 9.042 | 198 | 9324 | 280 | 9325 | 417 | 254 | 4.15E-03 | GSS06 - 2A □□□ 090C22 MDSKA□□ 090-22 80 |
| 99 | 225 | 3.5 | 10.238 | 229 | 9324 | 324 | 9325 | 522 | 225 | 3.88E-03 | GSS06 - 2A □□□ 090C22 MDSKA□□ 090-22 80 |
| 108 | 205 | 3.4 | 11.200 | 251 | 9324 | 355 | 9325 | 524 | 205 | 3.84E-03 | GSS06 - 2A □□□ 090C22 MDSKA□□ 090-22 80 |
| 118 | 185 | 2.9 | 12.400 | 272 | 9324 | 385 | 9325 | 523 | 185 | 3.95E-03 | GSS06 - 2A □□□ 090C22 MDSKA□□ 090-22 80 |
| 138 | 161 | 3.5 | 14.286 | 321 | 9324 | 453 | 9325 | 528 | 161 | 3.76E-03 | GSS06 - 2A □□□ 090C22 MDSKA□□ 090-22 80 |
| 151 | 145 | 2.7 | 15.869 | 348 | 9324 | 492 | 9325 | 605 | 145 | 3.83E-03 | GSS06 - 2A □□□ 090C22 MDSKA□□ 090-22 80 |
| 165 | 132 | 2.7 | 17.360 | 380 | 9324 | 537 | 9325 | 624 | 132 | 3.80E-03 | GSS06 - 2A □□□ 090C22 MDSKA□□ 090-22 80 |
| 182 | 113 | 1.8 | 20.417 | 414 | 9324 | 493 | 9325 | 488 | 113 | 4.02E-03 | GSS06 - 2A □□□ 090C22 MDSKA□□ 090-22 80 |
| 211 | 104 | 2.5 | 22.143 | 484 | 9324 | 684 | 9325 | 673 | 104 | 3.74E-03 | GSS06 - 2A □□□ 090C22 MDSKA□□ 090-22 80 |
| 223 | 93 | 1.7 | 24.800 | 509 | 9324 | 578 | 9325 | 561 | 93 | 3.91E-03 | GSS06 - 2A □□□ 090C22 MDSKA□□ 090-22 80 |
| 258 | 85 | 2.3 | 27.125 | 592 | 9324 | 836 | 9325 | 718 | 85 | 3.70E-03 | GSS06 - 2A □□□ 090C22 MDSKA□□ 090-22 80 |
| 285 | 72 | 1.6 | 31.738 | 649 | 9324 | 690 | 9325 | 609 | 72 | 3.81E-03 | GSS06 - 2A □□□ 090C22 MDSKA□□ 090-22 80 |
| 349 | 59 | 1.5 | 39.200 | 783 | 9324 | 783 | 9325 | 637 | 59 | 3.76E-03 | GSS06 - 2A □□□ 090C22 MDSKA□□ 090-22 80 |
| 444 | 46 | 1.3 | 50.000 | 856 | 9324 | 856 | 9325 | 693 | 46 | 3.72E-03 | GSS06 - 2A □□□ 090C22 MDSKA□□ 090-22 80 |

Observe the notes for thermal dimensioning.

Selection tables - Helical-worm gearboxes

Naturally ventilated asynchronous geared servo motors

| M ₂ [Nm] | n ₂ trans [rpm] | c | i | M ₂ max short-time M ₂ Gr on geared motor at | | | | n ₂ therm gearbox c=1 n ₁ ≤ 1400 rpm | | J _{GM} referred to motor shaft [kgm ²] | Servo helical- worm geared motor Dimensions on Page 7-47 |
|------------------------|-------------------------------|------------|----------------|---|-------------|----------------------------|-------------|---|-----------|---|---|
| | | | | 8 kHz | | 16 kHz | | [Nm] | [rpm] | | |
| | | | | M ₂ max [Nm] | Type EVS | M ₂ max [Nm] | Type EVS | | | | |
| 484 | 42 | 1.2 | 54.250 | 904 | 9324 | 904 | 9325 | 720 | 42 | 3.70E-03 | GSS06 - 2A □□□ 090C22 MDSKA□□ 090-22 80 |
| 542 | 38 | 1.1 | 61.250 | 916 | 9324 | 916 | 9325 | 720 | 38 | 3.69E-03 | GSS06 - 2A □□□ 090C22 MDSKA□□ 090-22 80 |
| 49 | 705 | 2.4 | 5.833 | 123 | 9325 | 148 | 9326 | 356 | 533 | 4.30E-03 | GSS06 - 2A □□□ 090C22 MDSKA□□ 090-22 140 |
| 68 | 514 | 2.8 | 8.000 | 170 | 9325 | 204 | 9326 | 489 | 389 | 4.02E-03 | GSS06 - 2A □□□ 090C22 MDSKA□□ 090-22 140 |
| 76 | 455 | 2.7 | 9.042 | 190 | 9325 | 227 | 9326 | 417 | 344 | 4.15E-03 | GSS06 - 2A □□□ 090C22 MDSKA□□ 090-22 140 |
| 87 | 401 | 2.8 | 10.238 | 219 | 9325 | 262 | 9326 | 522 | 304 | 3.88E-03 | GSS06 - 2A □□□ 090C22 MDSKA□□ 090-22 140 |
| 95 | 367 | 2.8 | 11.200 | 240 | 9325 | 287 | 9326 | 524 | 278 | 3.84E-03 | GSS06 - 2A □□□ 090C22 MDSKA□□ 090-22 140 |
| 104 | 331 | 2.4 | 12.400 | 261 | 9325 | 312 | 9326 | 523 | 251 | 3.95E-03 | GSS06 - 2A □□□ 090C22 MDSKA□□ 090-22 140 |
| 122 | 288 | 2.7 | 14.286 | 307 | 9325 | 367 | 9326 | 528 | 218 | 3.76E-03 | GSS06 - 2A □□□ 090C22 MDSKA□□ 090-22 140 |
| 134 | 259 | 2.3 | 15.869 | 334 | 9325 | 400 | 9326 | 605 | 196 | 3.83E-03 | GSS06 - 2A □□□ 090C22 MDSKA□□ 090-22 140 |
| 146 | 237 | 2.2 | 17.360 | 365 | 9325 | 437 | 9326 | 624 | 179 | 3.80E-03 | GSS06 - 2A □□□ 090C22 MDSKA□□ 090-22 140 |
| 160 | 201 | 1.5 | 20.417 | 361 | 9325 | 361 | 9326 | 488 | 152 | 4.02E-03 | GSS06 - 2A □□□ 090C22 MDSKA□□ 090-22 140 |
| 187 | 186 | 2.1 | 22.143 | 465 | 9325 | 557 | 9326 | 673 | 141 | 3.74E-03 | GSS06 - 2A □□□ 090C22 MDSKA□□ 090-22 140 |
| 197 | 166 | 1.4 | 24.800 | 422 | 9325 | 422 | 9326 | 561 | 125 | 3.91E-03 | GSS06 - 2A □□□ 090C22 MDSKA□□ 090-22 140 |
| 229 | 152 | 1.9 | 27.125 | 569 | 9325 | 672 | 9326 | 718 | 115 | 3.70E-03 | GSS06 - 2A □□□ 090C22 MDSKA□□ 090-22 140 |
| 253 | 130 | 1.3 | 31.738 | 503 | 9325 | 503 | 9326 | 609 | 98 | 3.81E-03 | GSS06 - 2A □□□ 090C22 MDSKA□□ 090-22 140 |
| 309 | 105 | 1.2 | 39.200 | 573 | 9325 | 573 | 9326 | 637 | 79 | 3.76E-03 | GSS06 - 2A □□□ 090C22 MDSKA□□ 090-22 140 |
| 393 | 82 | 1.2 | 50.000 | 680 | 9325 | 680 | 9326 | 693 | 62 | 3.72E-03 | GSS06 - 2A □□□ 090C22 MDSKA□□ 090-22 140 |
| 429 | 76 | 1.1 | 54.250 | 738 | 9325 | 738 | 9326 | 720 | 57 | 3.70E-03 | GSS06 - 2A □□□ 090C22 MDSKA□□ 090-22 140 |
| 480 | 67 | 1.1 | 61.250 | 784 | 9325 | 784 | 9326 | 720 | 51 | 3.69E-03 | GSS06 - 2A □□□ 090C22 MDSKA□□ 090-22 140 |
| 196 | 31 | 1.9 | 126.531 | 441 | 9322 | 525 | 9323 | 720 | 31 | 2.71E-04 | GSS06 - 3A □□□ 056C22 MDSKA□□ 056-22 140 |
| 218 | 28 | 1.9 | 142.857 | 491 | 9322 | 585 | 9323 | 720 | 28 | 2.70E-04 | GSS06 - 3A □□□ 056C22 MDSKA□□ 056-22 140 |
| 238 | 25 | 1.7 | 155.000 | 535 | 9322 | 611 | 9323 | 720 | 25 | 2.67E-04 | GSS06 - 3A □□□ 056C22 MDSKA□□ 056-22 140 |
| 265 | 23 | 1.7 | 175.000 | 595 | 9322 | 680 | 9323 | 720 | 23 | 2.66E-04 | GSS06 - 3A □□□ 056C22 MDSKA□□ 056-22 140 |
| 297 | 20 | 1.4 | 194.857 | 638 | 9322 | 638 | 9323 | 720 | 20 | 2.54E-04 | GSS06 - 3A □□□ 056C22 MDSKA□□ 056-22 140 |
| 331 | 18 | 1.4 | 220.000 | 709 | 9322 | 709 | 9323 | 720 | 18 | 2.54E-04 | GSS06 - 3A □□□ 056C22 MDSKA□□ 056-22 140 |
| 361 | 17 | 1.3 | 238.700 | 686 | 9322 | 686 | 9323 | 720 | 17 | 2.53E-04 | GSS06 - 3A □□□ 056C22 MDSKA□□ 056-22 140 |
| 401 | 15 | 1.3 | 269.500 | 763 | 9322 | 763 | 9323 | 720 | 15 | 2.52E-04 | GSS06 - 3A □□□ 056C22 MDSKA□□ 056-22 140 |
| 202 | 31 | 5.8 | 128.333 | 476 | 9322 | 567 | 9323 | 1250 | 31 | 3.19E-04 | GSS07 - 2A □□□ 056C22 MDSKA□□ 056-22 140 |
| 219 | 29 | 5.4 | 137.950 | 514 | 9322 | 612 | 9323 | 1250 | 29 | 3.01E-04 | GSS07 - 2A □□□ 056C22 MDSKA□□ 056-22 140 |
| 247 | 25 | 4.8 | 155.750 | 575 | 9322 | 684 | 9323 | 1250 | 25 | 2.98E-04 | GSS07 - 2A □□□ 056C22 MDSKA□□ 056-22 140 |
| 278 | 23 | 4.3 | 174.375 | 644 | 9322 | 767 | 9323 | 1250 | 23 | 2.79E-04 | GSS07 - 2A □□□ 056C22 MDSKA□□ 056-22 140 |
| 313 | 20 | 3.8 | 196.875 | 720 | 9322 | 858 | 9323 | 1250 | 20 | 2.77E-04 | GSS07 - 2A □□□ 056C22 MDSKA□□ 056-22 140 |
| 163 | 81 | 4.2 | 50.000 | 532 | 9324 | 389 | 9324 | 1250 | 81 | 1.18E-03 | GSS07 - 2A □□□ 071C22 MDSKA□□ 071-22 140 |

Observe the notes for thermal dimensioning.

Selection tables - Helical-worm gearboxes

Naturally ventilated asynchronous geared servo motors



| M ₂ [Nm] | n ₂ trans [rpm] | c | i | M ₂ max short-time M ₂ Gr on geared motor at | | | | n ₂ therm gearbox c=1 n ₁ ≤ 1400 rpm | | J _{GM} referred to motor shaft [kgm ²] | Servo helical- worm geared motor Dimensions on Page 7-47 |
|------------------------|-------------------------------|-----|---------|---|-------------|----------------------------|-------------|---|-------|---|---|
| | | | | 8 kHz | | 16 kHz | | [Nm] | [rpm] | | |
| | | | | M ₂ max [Nm] | Type EVS | M ₂ max [Nm] | Type EVS | | | | |
| 232 | 57 | 3.9 | 70.611 | 756 | 9324 | 552 | 9324 | 1250 | 57 | 1.01E-03 | GSS07 - 2A □□□ 071C22 MDSKA□□ 071-22 140 |
| 260 | 51 | 3.7 | 79.722 | 844 | 9324 | 616 | 9324 | 1250 | 51 | 1.00E-03 | GSS07 - 2A □□□ 071C22 MDSKA□□ 071-22 140 |
| 284 | 47 | 3.7 | 86.542 | 924 | 9324 | 675 | 9324 | 1250 | 47 | 9.64E-04 | GSS07 - 2A □□□ 071C22 MDSKA□□ 071-22 140 |
| 318 | 41 | 3.5 | 97.708 | 1032 | 9324 | 754 | 9324 | 1250 | 41 | 9.56E-04 | GSS07 - 2A □□□ 071C22 MDSKA□□ 071-22 140 |
| 373 | 36 | 3.2 | 113.667 | 1207 | 9324 | 881 | 9324 | 1250 | 36 | 9.13E-04 | GSS07 - 2A □□□ 071C22 MDSKA□□ 071-22 140 |
| 418 | 32 | 2.9 | 128.333 | 1348 | 9324 | 984 | 9324 | 1250 | 32 | 9.09E-04 | GSS07 - 2A □□□ 071C22 MDSKA□□ 071-22 140 |
| 453 | 29 | 2.7 | 137.950 | 1455 | 9324 | 1063 | 9324 | 1250 | 29 | 8.91E-04 | GSS07 - 2A □□□ 071C22 MDSKA□□ 071-22 140 |
| 508 | 26 | 2.4 | 155.750 | 1627 | 9324 | 1188 | 9324 | 1250 | 26 | 8.88E-04 | GSS07 - 2A □□□ 071C22 MDSKA□□ 071-22 140 |
| 571 | 23 | 2.1 | 174.375 | 1824 | 9324 | 1332 | 9324 | 1250 | 23 | 8.69E-04 | GSS07 - 2A □□□ 071C22 MDSKA□□ 071-22 140 |
| 640 | 21 | 1.9 | 196.875 | 1866 | 9324 | 1489 | 9324 | 1250 | 21 | 8.67E-04 | GSS07 - 2A □□□ 071C22 MDSKA□□ 071-22 140 |
| 169 | 65 | 4.7 | 31.000 | 399 | 9323 | 560 | 9324 | 1065 | 65 | 2.63E-03 | GSS07 - 2A □□□ 080C22 MDSKA□□ 080-22 70 |
| 201 | 57 | 5.9 | 35.306 | 478 | 9323 | 671 | 9324 | 1250 | 57 | 2.12E-03 | GSS07 - 2A □□□ 080C22 MDSKA□□ 080-22 70 |
| 213 | 51 | 4.3 | 39.200 | 499 | 9323 | 700 | 9324 | 1175 | 51 | 2.46E-03 | GSS07 - 2A □□□ 080C22 MDSKA□□ 080-22 70 |
| 248 | 46 | 4.8 | 43.271 | 584 | 9323 | 820 | 9324 | 1250 | 46 | 2.06E-03 | GSS07 - 2A □□□ 080C22 MDSKA□□ 080-22 70 |
| 271 | 40 | 4.0 | 50.000 | 634 | 9323 | 890 | 9324 | 1250 | 40 | 2.27E-03 | GSS07 - 2A □□□ 080C22 MDSKA□□ 080-22 70 |
| 297 | 37 | 3.9 | 54.250 | 693 | 9323 | 973 | 9324 | 1250 | 37 | 2.21E-03 | GSS07 - 2A □□□ 080C22 MDSKA□□ 080-22 70 |
| 333 | 33 | 3.5 | 61.250 | 774 | 9323 | 1087 | 9324 | 1250 | 33 | 2.19E-03 | GSS07 - 2A □□□ 080C22 MDSKA□□ 080-22 70 |
| 388 | 28 | 3.1 | 70.611 | 897 | 9323 | 1259 | 9324 | 1250 | 28 | 2.10E-03 | GSS07 - 2A □□□ 080C22 MDSKA□□ 080-22 70 |
| 435 | 25 | 2.8 | 79.722 | 1002 | 9323 | 1407 | 9324 | 1250 | 25 | 2.09E-03 | GSS07 - 2A □□□ 080C22 MDSKA□□ 080-22 70 |
| 475 | 23 | 2.6 | 86.542 | 1091 | 9323 | 1532 | 9324 | 1250 | 23 | 2.05E-03 | GSS07 - 2A □□□ 080C22 MDSKA□□ 080-22 70 |
| 533 | 20 | 2.3 | 97.708 | 1220 | 9323 | 1713 | 9324 | 1250 | 20 | 2.05E-03 | GSS07 - 2A □□□ 080C22 MDSKA□□ 080-22 70 |
| 622 | 18 | 2.0 | 113.667 | 1419 | 9323 | 1875 | 9324 | 1250 | 18 | 2.00E-03 | GSS07 - 2A □□□ 080C22 MDSKA□□ 080-22 70 |
| 697 | 16 | 1.8 | 128.333 | 1585 | 9323 | 1875 | 9324 | 1250 | 16 | 2.00E-03 | GSS07 - 2A □□□ 080C22 MDSKA□□ 080-22 70 |
| 752 | 15 | 1.6 | 137.950 | 1709 | 9323 | 1875 | 9324 | 1250 | 15 | 1.98E-03 | GSS07 - 2A □□□ 080C22 MDSKA□□ 080-22 70 |
| 841 | 13 | 1.5 | 155.750 | 1875 | 9323 | 1875 | 9324 | 1250 | 13 | 1.98E-03 | GSS07 - 2A □□□ 080C22 MDSKA□□ 080-22 70 |
| 80 | 236 | 5.8 | 17.360 | 207 | 9324 | 300 | 9325 | 1012 | 207 | 2.56E-03 | GSS07 - 2A □□□ 080C22 MDSKA□□ 080-22 140 |
| 103 | 185 | 5.4 | 22.143 | 264 | 9324 | 382 | 9325 | 1211 | 162 | 2.34E-03 | GSS07 - 2A □□□ 080C22 MDSKA□□ 080-22 140 |
| 126 | 151 | 5.1 | 27.125 | 324 | 9324 | 468 | 9325 | 1250 | 132 | 2.23E-03 | GSS07 - 2A □□□ 080C22 MDSKA□□ 080-22 140 |
| 138 | 132 | 3.7 | 31.000 | 349 | 9324 | 505 | 9325 | 1065 | 116 | 2.63E-03 | GSS07 - 2A □□□ 080C22 MDSKA□□ 080-22 140 |
| 165 | 116 | 4.8 | 35.306 | 421 | 9324 | 609 | 9325 | 1250 | 102 | 2.12E-03 | GSS07 - 2A □□□ 080C22 MDSKA□□ 080-22 140 |
| 174 | 105 | 3.3 | 39.200 | 438 | 9324 | 633 | 9325 | 1175 | 92 | 2.46E-03 | GSS07 - 2A □□□ 080C22 MDSKA□□ 080-22 140 |
| 202 | 95 | 4.5 | 43.271 | 514 | 9324 | 744 | 9325 | 1250 | 83 | 2.06E-03 | GSS07 - 2A □□□ 080C22 MDSKA□□ 080-22 140 |
| 223 | 82 | 3.1 | 50.000 | 558 | 9324 | 807 | 9325 | 1250 | 72 | 2.27E-03 | GSS07 - 2A □□□ 080C22 MDSKA□□ 080-22 140 |
| 244 | 76 | 3.1 | 54.250 | 610 | 9324 | 883 | 9325 | 1250 | 66 | 2.21E-03 | GSS07 - 2A □□□ 080C22 MDSKA□□ 080-22 140 |

Observe the notes for thermal dimensioning.

Selection tables - Helical-worm gearboxes

Naturally ventilated asynchronous geared servo motors

| M ₂ [Nm] | n ₂ trans [rpm] | c | i | M ₂ max short-time M ₂ Gr on geared motor at | | | | n ₂ therm gearbox c=1 n ₁ ≤ 1400 rpm | | J _G M referred to motor shaft [kgm ²] | Servo helical- worm geared motor Dimensions on Page 7-47 |
|------------------------|-------------------------------|-----|---------|---|-------------|----------------------------|-------------|---|-------|--|---|
| | | | | 8 kHz | | 16 kHz | | [Nm] | [rpm] | | |
| | | | | M ₂ max [Nm] | Type EVS | M ₂ max [Nm] | Type EVS | | | | |
| 273 | 67 | 2.9 | 61.250 | 682 | 9324 | 986 | 9325 | 1250 | 59 | 2.19E-03 | GSS07 - 2A □□□ 080C22 MDSKA□□ 080-22 140 |
| 317 | 58 | 2.9 | 70.611 | 791 | 9324 | 1145 | 9325 | 1250 | 51 | 2.10E-03 | GSS07 - 2A □□□ 080C22 MDSKA□□ 080-22 140 |
| 354 | 51 | 2.7 | 79.722 | 885 | 9324 | 1280 | 9325 | 1250 | 45 | 2.09E-03 | GSS07 - 2A □□□ 080C22 MDSKA□□ 080-22 140 |
| 388 | 47 | 2.7 | 86.542 | 968 | 9324 | 1401 | 9325 | 1250 | 41 | 2.05E-03 | GSS07 - 2A □□□ 080C22 MDSKA□□ 080-22 140 |
| 434 | 42 | 2.6 | 97.708 | 1081 | 9324 | 1565 | 9325 | 1250 | 37 | 2.05E-03 | GSS07 - 2A □□□ 080C22 MDSKA□□ 080-22 140 |
| 509 | 36 | 2.4 | 113.667 | 1264 | 9324 | 1829 | 9325 | 1250 | 32 | 2.00E-03 | GSS07 - 2A □□□ 080C22 MDSKA□□ 080-22 140 |
| 570 | 32 | 2.2 | 128.333 | 1412 | 9324 | 1868 | 9325 | 1250 | 28 | 2.00E-03 | GSS07 - 2A □□□ 080C22 MDSKA□□ 080-22 140 |
| 616 | 30 | 2.0 | 137.950 | 1525 | 9324 | 1868 | 9325 | 1250 | 26 | 1.98E-03 | GSS07 - 2A □□□ 080C22 MDSKA□□ 080-22 140 |
| 691 | 26 | 1.8 | 155.750 | 1705 | 9324 | 1869 | 9325 | 1250 | 23 | 1.98E-03 | GSS07 - 2A □□□ 080C22 MDSKA□□ 080-22 140 |
| 77 | 283 | 5.6 | 8.125 | 183 | 9324 | 259 | 9325 | 685 | 283 | 4.88E-03 | GSS07 - 2A □□□ 090C22 MDSKA□□ 090-22 80 |
| 85 | 253 | 5.0 | 9.086 | 201 | 9324 | 283 | 9325 | 628 | 253 | 5.34E-03 | GSS07 - 2A □□□ 090C22 MDSKA□□ 090-22 80 |
| 95 | 230 | 5.3 | 10.000 | 226 | 9324 | 320 | 9325 | 797 | 230 | 4.51E-03 | GSS07 - 2A □□□ 090C22 MDSKA□□ 090-22 80 |
| 107 | 205 | 5.1 | 11.200 | 253 | 9324 | 358 | 9325 | 866 | 205 | 4.35E-03 | GSS07 - 2A □□□ 090C22 MDSKA□□ 090-22 80 |
| 119 | 183 | 4.3 | 12.594 | 278 | 9324 | 393 | 9325 | 799 | 183 | 4.67E-03 | GSS07 - 2A □□□ 090C22 MDSKA□□ 090-22 80 |
| 137 | 161 | 4.8 | 14.286 | 324 | 9324 | 457 | 9325 | 973 | 161 | 4.08E-03 | GSS07 - 2A □□□ 090C22 MDSKA□□ 090-22 80 |
| 146 | 148 | 4.1 | 15.500 | 342 | 9324 | 484 | 9325 | 931 | 148 | 4.38E-03 | GSS07 - 2A □□□ 090C22 MDSKA□□ 090-22 80 |
| 164 | 132 | 4.0 | 17.360 | 383 | 9324 | 542 | 9325 | 1012 | 132 | 4.24E-03 | GSS07 - 2A □□□ 090C22 MDSKA□□ 090-22 80 |
| 183 | 112 | 2.9 | 20.517 | 423 | 9324 | 598 | 9325 | 764 | 112 | 4.96E-03 | GSS07 - 2A □□□ 090C22 MDSKA□□ 090-22 80 |
| 210 | 104 | 3.7 | 22.143 | 488 | 9324 | 690 | 9325 | 1211 | 104 | 4.02E-03 | GSS07 - 2A □□□ 090C22 MDSKA□□ 090-22 80 |
| 228 | 91 | 2.6 | 25.188 | 524 | 9324 | 740 | 9325 | 913 | 91 | 4.56E-03 | GSS07 - 2A □□□ 090C22 MDSKA□□ 090-22 80 |
| 257 | 85 | 3.5 | 27.125 | 597 | 9324 | 844 | 9325 | 1250 | 85 | 3.91E-03 | GSS07 - 2A □□□ 090C22 MDSKA□□ 090-22 80 |
| 280 | 74 | 2.5 | 31.000 | 645 | 9324 | 911 | 9325 | 1065 | 74 | 4.31E-03 | GSS07 - 2A □□□ 090C22 MDSKA□□ 090-22 80 |
| 334 | 65 | 3.3 | 35.306 | 774 | 9324 | 1094 | 9325 | 1250 | 65 | 3.80E-03 | GSS07 - 2A □□□ 090C22 MDSKA□□ 090-22 80 |
| 352 | 59 | 2.3 | 39.200 | 808 | 9324 | 1142 | 9325 | 1175 | 59 | 4.14E-03 | GSS07 - 2A □□□ 090C22 MDSKA□□ 090-22 80 |
| 410 | 53 | 3.0 | 43.271 | 947 | 9324 | 1338 | 9325 | 1250 | 53 | 3.74E-03 | GSS07 - 2A □□□ 090C22 MDSKA□□ 090-22 80 |
| 449 | 46 | 2.1 | 50.000 | 1027 | 9324 | 1453 | 9325 | 1250 | 46 | 3.95E-03 | GSS07 - 2A □□□ 090C22 MDSKA□□ 090-22 80 |
| 491 | 42 | 2.1 | 54.250 | 1124 | 9324 | 1589 | 9325 | 1250 | 42 | 3.89E-03 | GSS07 - 2A □□□ 090C22 MDSKA□□ 090-22 80 |
| 549 | 38 | 2.0 | 61.250 | 1255 | 9324 | 1688 | 9325 | 1250 | 38 | 3.87E-03 | GSS07 - 2A □□□ 090C22 MDSKA□□ 090-22 80 |
| 638 | 33 | 1.9 | 70.611 | 1457 | 9324 | 1827 | 9325 | 1250 | 33 | 3.78E-03 | GSS07 - 2A □□□ 090C22 MDSKA□□ 090-22 80 |
| 714 | 29 | 1.7 | 79.722 | 1627 | 9324 | 1851 | 9325 | 1250 | 29 | 3.77E-03 | GSS07 - 2A □□□ 090C22 MDSKA□□ 090-22 80 |
| 781 | 27 | 1.6 | 86.542 | 1777 | 9324 | 1875 | 9325 | 1250 | 27 | 3.73E-03 | GSS07 - 2A □□□ 090C22 MDSKA□□ 090-22 80 |
| 874 | 24 | 1.4 | 97.708 | 1875 | 9324 | 1875 | 9325 | 1250 | 24 | 3.73E-03 | GSS07 - 2A □□□ 090C22 MDSKA□□ 090-22 80 |
| 49 | 701 | 5.1 | 5.862 | 126 | 9325 | 151 | 9326 | 539 | 531 | 5.74E-03 | GSS07 - 2A □□□ 090C22 MDSKA□□ 090-22 140 |
| 68 | 506 | 4.6 | 8.125 | 175 | 9325 | 210 | 9326 | 685 | 383 | 4.88E-03 | GSS07 - 2A □□□ 090C22 MDSKA□□ 090-22 140 |

Observe the notes for thermal dimensioning.

Selection tables - Helical-worm gearboxes

Naturally ventilated asynchronous geared servo motors



| M ₂ [Nm] | n ₂ trans [rpm] | c | i | M ₂ max short-time M ₂ Gr on geared motor at | | | | n ₂ therm gearbox c=1 | | J _{GM} referred to motor shaft [kgm ²] | Servo helical- worm geared motor Dimensions on Page 7-47 |
|------------------------|-------------------------------|-----|--------|---|-------------|----------------------------|-------------|--|-------|---|---|
| | | | | 8 kHz | | 16 kHz | | n ₁ ≤ 1400 rpm [Nm] | [rpm] | | |
| | | | | M ₂ max [Nm] | Type EVS | M ₂ max [Nm] | Type EVS | | | | |
| 75 | 452 | 4.5 | 9.086 | 192 | 9325 | 230 | 9326 | 628 | 342 | 5.34E-03 | GSS07 - 2A □□□ 090C22 MDSKA□□ 090-22 140 |
| 85 | 411 | 4.4 | 10.000 | 216 | 9325 | 259 | 9326 | 797 | 311 | 4.51E-03 | GSS07 - 2A □□□ 090C22 MDSKA□□ 090-22 140 |
| 95 | 367 | 4.2 | 11.200 | 242 | 9325 | 290 | 9326 | 866 | 278 | 4.35E-03 | GSS07 - 2A □□□ 090C22 MDSKA□□ 090-22 140 |
| 105 | 326 | 3.9 | 12.594 | 267 | 9325 | 319 | 9326 | 799 | 247 | 4.67E-03 | GSS07 - 2A □□□ 090C22 MDSKA□□ 090-22 140 |
| 122 | 288 | 4.0 | 14.286 | 310 | 9325 | 371 | 9326 | 973 | 218 | 4.08E-03 | GSS07 - 2A □□□ 090C22 MDSKA□□ 090-22 140 |
| 130 | 265 | 3.5 | 15.500 | 328 | 9325 | 393 | 9326 | 931 | 201 | 4.38E-03 | GSS07 - 2A □□□ 090C22 MDSKA□□ 090-22 140 |
| 145 | 237 | 3.3 | 17.360 | 368 | 9325 | 440 | 9326 | 1012 | 179 | 4.24E-03 | GSS07 - 2A □□□ 090C22 MDSKA□□ 090-22 140 |
| 161 | 200 | 2.6 | 20.517 | 405 | 9325 | 484 | 9326 | 764 | 152 | 4.96E-03 | GSS07 - 2A □□□ 090C22 MDSKA□□ 090-22 140 |
| 186 | 186 | 3.0 | 22.143 | 469 | 9325 | 561 | 9326 | 1211 | 141 | 4.02E-03 | GSS07 - 2A □□□ 090C22 MDSKA□□ 090-22 140 |
| 201 | 163 | 2.3 | 25.188 | 502 | 9325 | 601 | 9326 | 913 | 124 | 4.56E-03 | GSS07 - 2A □□□ 090C22 MDSKA□□ 090-22 140 |
| 228 | 152 | 2.9 | 27.125 | 574 | 9325 | 686 | 9326 | 1250 | 115 | 3.91E-03 | GSS07 - 2A □□□ 090C22 MDSKA□□ 090-22 140 |
| 248 | 133 | 2.1 | 31.000 | 618 | 9325 | 740 | 9326 | 1065 | 100 | 4.31E-03 | GSS07 - 2A □□□ 090C22 MDSKA□□ 090-22 140 |
| 297 | 116 | 2.7 | 35.306 | 746 | 9325 | 892 | 9326 | 1250 | 88 | 3.80E-03 | GSS07 - 2A □□□ 090C22 MDSKA□□ 090-22 140 |
| 312 | 105 | 1.9 | 39.200 | 776 | 9325 | 893 | 9326 | 1175 | 79 | 4.14E-03 | GSS07 - 2A □□□ 090C22 MDSKA□□ 090-22 140 |
| 364 | 95 | 2.6 | 43.271 | 912 | 9325 | 1091 | 9326 | 1250 | 72 | 3.74E-03 | GSS07 - 2A □□□ 090C22 MDSKA□□ 090-22 140 |
| 398 | 82 | 1.8 | 50.000 | 988 | 9325 | 1059 | 9326 | 1250 | 62 | 3.95E-03 | GSS07 - 2A □□□ 090C22 MDSKA□□ 090-22 140 |
| 435 | 76 | 1.8 | 54.250 | 1082 | 9325 | 1153 | 9326 | 1250 | 57 | 3.89E-03 | GSS07 - 2A □□□ 090C22 MDSKA□□ 090-22 140 |
| 487 | 67 | 1.7 | 61.250 | 1208 | 9325 | 1227 | 9326 | 1250 | 51 | 3.87E-03 | GSS07 - 2A □□□ 090C22 MDSKA□□ 090-22 140 |
| 565 | 58 | 1.6 | 70.611 | 1402 | 9325 | 1402 | 9326 | 1250 | 44 | 3.78E-03 | GSS07 - 2A □□□ 090C22 MDSKA□□ 090-22 140 |
| 632 | 52 | 1.6 | 79.722 | 1486 | 9325 | 1486 | 9326 | 1250 | 39 | 3.77E-03 | GSS07 - 2A □□□ 090C22 MDSKA□□ 090-22 140 |
| 692 | 47 | 1.6 | 86.542 | 1629 | 9325 | 1629 | 9326 | 1250 | 36 | 3.73E-03 | GSS07 - 2A □□□ 090C22 MDSKA□□ 090-22 140 |
| 774 | 42 | 1.5 | 97.708 | 1700 | 9325 | 1700 | 9326 | 1250 | 32 | 3.73E-03 | GSS07 - 2A □□□ 090C22 MDSKA□□ 090-22 140 |
| 85 | 399 | 4.1 | 5.862 | 255 | 9325 | 183 | 9325 | 539 | 399 | 9.34E-03 | GSS07 - 2A □□□ 100C22 MDSKA□□ 100-22 80 |
| 119 | 288 | 3.7 | 8.125 | 355 | 9325 | 254 | 9325 | 685 | 288 | 8.48E-03 | GSS07 - 2A □□□ 100C22 MDSKA□□ 100-22 80 |
| 131 | 258 | 3.3 | 9.086 | 388 | 9325 | 278 | 9325 | 628 | 258 | 8.94E-03 | GSS07 - 2A □□□ 100C22 MDSKA□□ 100-22 80 |
| 147 | 234 | 3.5 | 10.000 | 437 | 9325 | 313 | 9325 | 797 | 234 | 8.11E-03 | GSS07 - 2A □□□ 100C22 MDSKA□□ 100-22 80 |
| 165 | 209 | 3.4 | 11.200 | 490 | 9325 | 351 | 9325 | 866 | 209 | 7.95E-03 | GSS07 - 2A □□□ 100C22 MDSKA□□ 100-22 80 |
| 182 | 186 | 2.8 | 12.594 | 538 | 9325 | 385 | 9325 | 799 | 186 | 8.27E-03 | GSS07 - 2A □□□ 100C22 MDSKA□□ 100-22 80 |
| 211 | 164 | 3.2 | 14.286 | 626 | 9325 | 448 | 9325 | 1036 | 164 | 7.68E-03 | GSS07 - 2A □□□ 100C22 MDSKA□□ 100-22 80 |
| 224 | 151 | 2.7 | 15.500 | 662 | 9325 | 474 | 9325 | 931 | 151 | 7.98E-03 | GSS07 - 2A □□□ 100C22 MDSKA□□ 100-22 80 |
| 251 | 135 | 2.6 | 17.360 | 741 | 9325 | 531 | 9325 | 1012 | 135 | 7.84E-03 | GSS07 - 2A □□□ 100C22 MDSKA□□ 100-22 80 |
| 280 | 114 | 1.9 | 20.517 | 803 | 9325 | 586 | 9325 | 764 | 114 | 8.56E-03 | GSS07 - 2A □□□ 100C22 MDSKA□□ 100-22 80 |
| 321 | 106 | 2.5 | 22.143 | 944 | 9325 | 676 | 9325 | 1211 | 106 | 7.62E-03 | GSS07 - 2A □□□ 100C22 MDSKA□□ 100-22 80 |
| 347 | 93 | 1.7 | 25.188 | 904 | 9325 | 725 | 9325 | 913 | 93 | 8.16E-03 | GSS07 - 2A □□□ 100C22 MDSKA□□ 100-22 80 |

Observe the notes for thermal dimensioning.

Selection tables - Helical-worm gearboxes

Naturally ventilated asynchronous geared servo motors

| M ₂ [Nm] | n ₂ trans [rpm] | c | i | M ₂ max short-time M ₂ Gr on geared motor at | | | | n ₂ therm gearbox c=1 n ₁ ≤ 1400 rpm | | J _G M referred to motor shaft [kgm ²] | Servo helical- worm geared motor Dimensions on Page 7-47 |
|------------------------|-------------------------------|-----|--------|---|-------------|----------------------------|-------------|---|-------|--|---|
| | | | | 8 kHz | | 16 kHz | | [Nm] | [rpm] | | |
| | | | | M ₂ max [Nm] | Type EVS | M ₂ max [Nm] | Type EVS | | | | |
| 393 | 86 | 2.3 | 27.125 | 1155 | 9325 | 827 | 9325 | 1250 | 86 | 7.51E-03 | GSS07 - 2A □□□ 100C22 MDSKA□□ 100-22 80 |
| 427 | 75 | 1.6 | 31.000 | 1055 | 9325 | 893 | 9325 | 1065 | 75 | 7.91E-03 | GSS07 - 2A □□□ 100C22 MDSKA□□ 100-22 80 |
| 536 | 60 | 1.5 | 39.200 | 1222 | 9325 | 1119 | 9325 | 1175 | 60 | 7.74E-03 | GSS07 - 2A □□□ 100C22 MDSKA□□ 100-22 80 |
| 683 | 47 | 1.4 | 50.000 | 1459 | 9325 | 1423 | 9325 | 1250 | 47 | 7.55E-03 | GSS07 - 2A □□□ 100C22 MDSKA□□ 100-22 80 |
| 747 | 43 | 1.4 | 54.250 | 1598 | 9325 | 1556 | 9325 | 1250 | 43 | 7.49E-03 | GSS07 - 2A □□□ 100C22 MDSKA□□ 100-22 80 |
| 835 | 38 | 1.3 | 61.250 | 1688 | 9325 | 1688 | 9325 | 1250 | 38 | 7.47E-03 | GSS07 - 2A □□□ 100C22 MDSKA□□ 100-22 80 |
| 63 | 708 | 4.0 | 5.862 | 233 | 9326 | 139 | 9326 | 539 | 418 | 9.34E-03 | GSS07 - 2A □□□ 100C22 MDSKA□□ 100-22 140 |
| 87 | 511 | 3.7 | 8.125 | 325 | 9326 | 193 | 9326 | 685 | 301 | 8.48E-03 | GSS07 - 2A □□□ 100C22 MDSKA□□ 100-22 140 |
| 96 | 457 | 3.6 | 9.086 | 355 | 9326 | 212 | 9326 | 628 | 269 | 8.94E-03 | GSS07 - 2A □□□ 100C22 MDSKA□□ 100-22 140 |
| 108 | 415 | 3.5 | 10.000 | 400 | 9326 | 238 | 9326 | 797 | 245 | 8.11E-03 | GSS07 - 2A □□□ 100C22 MDSKA□□ 100-22 140 |
| 121 | 371 | 3.4 | 11.200 | 449 | 9326 | 267 | 9326 | 866 | 219 | 7.95E-03 | GSS07 - 2A □□□ 100C22 MDSKA□□ 100-22 140 |
| 134 | 330 | 3.1 | 12.594 | 493 | 9326 | 294 | 9326 | 799 | 194 | 8.27E-03 | GSS07 - 2A □□□ 100C22 MDSKA□□ 100-22 140 |
| 155 | 291 | 3.1 | 14.286 | 573 | 9326 | 342 | 9326 | 1036 | 171 | 7.68E-03 | GSS07 - 2A □□□ 100C22 MDSKA□□ 100-22 140 |
| 165 | 268 | 2.8 | 15.500 | 607 | 9326 | 362 | 9326 | 931 | 158 | 7.98E-03 | GSS07 - 2A □□□ 100C22 MDSKA□□ 100-22 140 |
| 185 | 239 | 2.6 | 17.360 | 680 | 9326 | 405 | 9326 | 1012 | 141 | 7.84E-03 | GSS07 - 2A □□□ 100C22 MDSKA□□ 100-22 140 |
| 205 | 202 | 2.1 | 20.517 | 643 | 9326 | 446 | 9326 | 764 | 119 | 8.56E-03 | GSS07 - 2A □□□ 100C22 MDSKA□□ 100-22 140 |
| 237 | 187 | 2.4 | 22.143 | 867 | 9326 | 517 | 9326 | 1211 | 111 | 7.62E-03 | GSS07 - 2A □□□ 100C22 MDSKA□□ 100-22 140 |
| 255 | 165 | 1.8 | 25.188 | 713 | 9326 | 553 | 9326 | 913 | 97 | 8.16E-03 | GSS07 - 2A □□□ 100C22 MDSKA□□ 100-22 140 |
| 290 | 153 | 2.3 | 27.125 | 1010 | 9326 | 632 | 9326 | 1250 | 90 | 7.51E-03 | GSS07 - 2A □□□ 100C22 MDSKA□□ 100-22 140 |
| 314 | 134 | 1.7 | 31.000 | 796 | 9326 | 681 | 9326 | 1065 | 79 | 7.91E-03 | GSS07 - 2A □□□ 100C22 MDSKA□□ 100-22 140 |
| 396 | 106 | 1.5 | 39.200 | 893 | 9326 | 856 | 9326 | 1175 | 62 | 7.74E-03 | GSS07 - 2A □□□ 100C22 MDSKA□□ 100-22 140 |
| 505 | 83 | 1.4 | 50.000 | 1059 | 9326 | 1059 | 9326 | 1250 | 49 | 7.55E-03 | GSS07 - 2A □□□ 100C22 MDSKA□□ 100-22 140 |
| 552 | 77 | 1.4 | 54.250 | 1153 | 9326 | 1153 | 9326 | 1250 | 45 | 7.49E-03 | GSS07 - 2A □□□ 100C22 MDSKA□□ 100-22 140 |
| 617 | 68 | 1.3 | 61.250 | 1227 | 9326 | 1227 | 9326 | 1250 | 40 | 7.47E-03 | GSS07 - 2A □□□ 100C22 MDSKA□□ 100-22 140 |
| 131 | 425 | 2.7 | 5.862 | 422 | 9326 | 302 | 9326 | 539 | 343 | 2.01E-02 | GSS07 - 2A □□□ 112C22 MDSKA□□ 112-22 85 |
| 182 | 306 | 2.5 | 8.125 | 586 | 9326 | 419 | 9326 | 685 | 248 | 1.93E-02 | GSS07 - 2A □□□ 112C22 MDSKA□□ 112-22 85 |
| 199 | 274 | 2.2 | 9.086 | 641 | 9326 | 458 | 9326 | 628 | 222 | 1.97E-02 | GSS07 - 2A □□□ 112C22 MDSKA□□ 112-22 85 |
| 225 | 249 | 2.3 | 10.000 | 723 | 9326 | 517 | 9326 | 797 | 201 | 1.89E-02 | GSS07 - 2A □□□ 112C22 MDSKA□□ 112-22 85 |
| 252 | 222 | 2.3 | 11.200 | 810 | 9326 | 579 | 9326 | 866 | 180 | 1.87E-02 | GSS07 - 2A □□□ 112C22 MDSKA□□ 112-22 85 |
| 278 | 198 | 1.9 | 12.594 | 793 | 9326 | 636 | 9326 | 799 | 160 | 1.91E-02 | GSS07 - 2A □□□ 112C22 MDSKA□□ 112-22 85 |
| 342 | 161 | 1.8 | 15.500 | 925 | 9326 | 782 | 9326 | 931 | 130 | 1.88E-02 | GSS07 - 2A □□□ 112C22 MDSKA□□ 112-22 85 |
| 383 | 143 | 1.7 | 17.360 | 1005 | 9326 | 876 | 9326 | 1012 | 116 | 1.86E-02 | GSS07 - 2A □□□ 112C22 MDSKA□□ 112-22 85 |
| 425 | 121 | 1.3 | 20.517 | 803 | 9326 | 803 | 9326 | 764 | 98 | 1.94E-02 | GSS07 - 2A □□□ 112C22 MDSKA□□ 112-22 85 |
| 527 | 99 | 1.1 | 25.188 | 904 | 9326 | 904 | 9326 | 913 | 80 | 1.90E-02 | GSS07 - 2A □□□ 112C22 MDSKA□□ 112-22 85 |

Observe the notes for thermal dimensioning.

Selection tables - Helical-worm gearboxes

Naturally ventilated asynchronous geared servo motors



| M ₂ [Nm] | n ₂ trans [rpm] | c | i | M ₂ max short-time M ₂ Gr on geared motor at | | | | n ₂ therm gearbox c=1 n ₁ ≤ 1400 rpm | | J _{GM} referred to motor shaft [kgm ²] | Servo helical- worm geared motor Dimensions on Page 7-47 |
|------------------------|-------------------------------|------------|----------------|---|-------------|----------------------------|-------------|---|-----------|---|---|
| | | | | 8 kHz | | 16 kHz | | [Nm] | [rpm] | | |
| | | | | M ₂ max [Nm] | Type EVS | M ₂ max [Nm] | Type EVS | | | | |
| 649 | 80 | 1.1 | 31.000 | 1055 | 9326 | 1055 | 9326 | 1065 | 65 | 1.87E-02 | GSS07 - 2A □□□ 112C22 MDSKA□□ 112-22 85 |
| 814 | 64 | 1.0 | 39.200 | 1222 | 9326 | 1222 | 9326 | 1175 | 51 | 1.85E-02 | GSS07 - 2A □□□ 112C22 MDSKA□□ 112-22 85 |
| 90 | 710 | 2.8 | 5.862 | 236 | 9326 | 202 | 9327 | 539 | 343 | 2.01E-02 | GSS07 - 2A □□□ 112C22 MDSKA□□ 112-22 140 |
| 125 | 512 | 2.6 | 8.125 | 329 | 9326 | 281 | 9327 | 685 | 248 | 1.93E-02 | GSS07 - 2A □□□ 112C22 MDSKA□□ 112-22 140 |
| 137 | 458 | 2.5 | 9.086 | 360 | 9326 | 308 | 9327 | 628 | 222 | 1.97E-02 | GSS07 - 2A □□□ 112C22 MDSKA□□ 112-22 140 |
| 155 | 416 | 2.4 | 10.000 | 406 | 9326 | 347 | 9327 | 797 | 201 | 1.89E-02 | GSS07 - 2A □□□ 112C22 MDSKA□□ 112-22 140 |
| 174 | 371 | 2.4 | 11.200 | 455 | 9326 | 389 | 9327 | 866 | 180 | 1.87E-02 | GSS07 - 2A □□□ 112C22 MDSKA□□ 112-22 140 |
| 191 | 330 | 2.2 | 12.594 | 500 | 9326 | 427 | 9327 | 799 | 160 | 1.91E-02 | GSS07 - 2A □□□ 112C22 MDSKA□□ 112-22 140 |
| 236 | 268 | 2.0 | 15.500 | 616 | 9326 | 526 | 9327 | 931 | 130 | 1.88E-02 | GSS07 - 2A □□□ 112C22 MDSKA□□ 112-22 140 |
| 265 | 240 | 1.9 | 17.360 | 690 | 9326 | 589 | 9327 | 1012 | 116 | 1.86E-02 | GSS07 - 2A □□□ 112C22 MDSKA□□ 112-22 140 |
| 292 | 203 | 1.5 | 20.517 | 643 | 9326 | 643 | 9327 | 764 | 98 | 1.94E-02 | GSS07 - 2A □□□ 112C22 MDSKA□□ 112-22 140 |
| 363 | 165 | 1.3 | 25.188 | 713 | 9326 | 713 | 9327 | 913 | 80 | 1.90E-02 | GSS07 - 2A □□□ 112C22 MDSKA□□ 112-22 140 |
| 448 | 134 | 1.2 | 31.000 | 796 | 9326 | 796 | 9327 | 1065 | 65 | 1.87E-02 | GSS07 - 2A □□□ 112C22 MDSKA□□ 112-22 140 |
| 563 | 106 | 1.1 | 39.200 | 893 | 9326 | 893 | 9327 | 1175 | 51 | 1.85E-02 | GSS07 - 2A □□□ 112C22 MDSKA□□ 112-22 140 |
| 196 | 31 | 3.8 | 126.531 | 452 | 9322 | 538 | 9323 | 1250 | 31 | 3.26E-04 | GSS07 - 3A □□□ 056C22 MDSKA□□ 056-22 140 |
| 220 | 28 | 3.7 | 142.857 | 505 | 9322 | 601 | 9323 | 1250 | 28 | 3.22E-04 | GSS07 - 3A □□□ 056C22 MDSKA□□ 056-22 140 |
| 239 | 25 | 3.7 | 155.000 | 550 | 9322 | 655 | 9323 | 1250 | 25 | 3.14E-04 | GSS07 - 3A □□□ 056C22 MDSKA□□ 056-22 140 |
| 268 | 23 | 3.5 | 175.000 | 615 | 9322 | 732 | 9323 | 1250 | 23 | 3.12E-04 | GSS07 - 3A □□□ 056C22 MDSKA□□ 056-22 140 |
| 310 | 20 | 3.2 | 201.746 | 708 | 9322 | 843 | 9323 | 1250 | 20 | 2.77E-04 | GSS07 - 3A □□□ 056C22 MDSKA□□ 056-22 140 |
| 347 | 17 | 3.0 | 227.778 | 791 | 9322 | 943 | 9323 | 1250 | 17 | 2.76E-04 | GSS07 - 3A □□□ 056C22 MDSKA□□ 056-22 140 |
| 378 | 16 | 2.8 | 247.139 | 861 | 9322 | 1025 | 9323 | 1250 | 16 | 2.73E-04 | GSS07 - 3A □□□ 056C22 MDSKA□□ 056-22 140 |
| 422 | 14 | 2.7 | 279.028 | 959 | 9322 | 1143 | 9323 | 1250 | 14 | 2.72E-04 | GSS07 - 3A □□□ 056C22 MDSKA□□ 056-22 140 |
| 493 | 12 | 1.9 | 321.673 | 1110 | 9322 | 1322 | 9323 | 1250 | 12 | 2.68E-04 | GSS07 - 3A □□□ 056C22 MDSKA□□ 056-22 140 |
| 547 | 11 | 1.9 | 363.179 | 1231 | 9322 | 1466 | 9323 | 1250 | 11 | 2.68E-04 | GSS07 - 3A □□□ 056C22 MDSKA□□ 056-22 140 |
| 601 | 10 | 1.7 | 394.245 | 1349 | 9322 | 1560 | 9323 | 1250 | 10 | 2.66E-04 | GSS07 - 3A □□□ 056C22 MDSKA□□ 056-22 140 |
| 665 | 8.9 | 1.7 | 445.116 | 1493 | 9322 | 1725 | 9323 | 1250 | 8.9 | 2.65E-04 | GSS07 - 3A □□□ 056C22 MDSKA□□ 056-22 140 |
| 735 | 8.1 | 1.5 | 490.403 | 1647 | 9322 | 1663 | 9323 | 1250 | 8.1 | 2.58E-04 | GSS07 - 3A □□□ 056C22 MDSKA□□ 056-22 140 |
| 818 | 7.1 | 1.4 | 553.681 | 1774 | 9322 | 1774 | 9323 | 1250 | 7.1 | 2.58E-04 | GSS07 - 3A □□□ 056C22 MDSKA□□ 056-22 140 |
| 943 | 6.2 | 1.3 | 634.639 | 1778 | 9322 | 1778 | 9323 | 1250 | 6.2 | 2.51E-04 | GSS07 - 3A □□□ 056C22 MDSKA□□ 056-22 140 |
| 1048 | 5.5 | 1.1 | 716.528 | 1767 | 9322 | 1767 | 9323 | 1250 | 5.5 | 2.51E-04 | GSS07 - 3A □□□ 056C22 MDSKA□□ 056-22 140 |
| 402 | 32 | 1.9 | 126.531 | 1170 | 9324 | 934 | 9324 | 1250 | 32 | 9.16E-04 | GSS07 - 3A □□□ 071C22 MDSKA□□ 071-22 140 |
| 449 | 28 | 1.8 | 142.857 | 1244 | 9324 | 1044 | 9324 | 1250 | 28 | 9.12E-04 | GSS07 - 3A □□□ 071C22 MDSKA□□ 071-22 140 |
| 489 | 26 | 1.8 | 155.000 | 1359 | 9324 | 1136 | 9324 | 1250 | 26 | 9.04E-04 | GSS07 - 3A □□□ 071C22 MDSKA□□ 071-22 140 |
| 548 | 23 | 1.7 | 175.000 | 1439 | 9324 | 1271 | 9324 | 1250 | 23 | 9.02E-04 | GSS07 - 3A □□□ 071C22 MDSKA□□ 071-22 140 |

Observe the notes for thermal dimensioning.

Selection tables - Helical-worm gearboxes

Naturally ventilated asynchronous geared servo motors

| M ₂ [Nm] | n ₂ trans [rpm] | c | i | M ₂ max short-time M ₂ Gr on geared motor at | | | | n ₂ therm gearbox c=1 n ₁ ≤ 1400 rpm | | J _{GM} referred to motor shaft [kgm ²] | Servo helical- worm geared motor Dimensions on Page 7-47 |
|------------------------|-------------------------------|-----|---------|---|-------------|----------------------------|-------------|---|-------|---|---|
| | | | | 8 kHz | | 16 kHz | | [Nm] | [rpm] | | |
| | | | | M ₂ max [Nm] | Type EVS | M ₂ max [Nm] | Type EVS | | | | |
| 632 | 20 | 1.6 | 201.746 | 1516 | 9324 | 1464 | 9324 | 1250 | 20 | 8.67E-04 | GSS07 - 3A □□□ 071C22 MDSKA□□ 071-22 140 |
| 707 | 18 | 1.5 | 227.778 | 1610 | 9324 | 1610 | 9324 | 1250 | 18 | 8.66E-04 | GSS07 - 3A □□□ 071C22 MDSKA□□ 071-22 140 |
| 770 | 16 | 1.4 | 247.139 | 1606 | 9324 | 1606 | 9324 | 1250 | 16 | 8.63E-04 | GSS07 - 3A □□□ 071C22 MDSKA□□ 071-22 140 |
| 859 | 15 | 1.3 | 279.028 | 1719 | 9324 | 1719 | 9324 | 1250 | 15 | 8.62E-04 | GSS07 - 3A □□□ 071C22 MDSKA□□ 071-22 140 |
| 660 | 16 | 1.9 | 126.531 | 1503 | 9323 | 1875 | 9324 | 1250 | 16 | 2.01E-03 | GSS07 - 3A □□□ 080C22 MDSKA□□ 080-22 70 |
| 738 | 14 | 1.7 | 142.857 | 1678 | 9323 | 1875 | 9324 | 1250 | 14 | 2.00E-03 | GSS07 - 3A □□□ 080C22 MDSKA□□ 080-22 70 |
| 805 | 13 | 1.5 | 155.000 | 1827 | 9323 | 1875 | 9324 | 1250 | 13 | 1.99E-03 | GSS07 - 3A □□□ 080C22 MDSKA□□ 080-22 70 |
| 898 | 11 | 1.4 | 175.000 | 1875 | 9323 | 1875 | 9324 | 1250 | 11 | 1.99E-03 | GSS07 - 3A □□□ 080C22 MDSKA□□ 080-22 70 |
| 545 | 32 | 1.4 | 126.531 | 1170 | 9324 | 1170 | 9325 | 1250 | 28 | 2.01E-03 | GSS07 - 3A □□□ 080C22 MDSKA□□ 080-22 140 |
| 610 | 29 | 1.4 | 142.857 | 1244 | 9324 | 1244 | 9325 | 1250 | 25 | 2.00E-03 | GSS07 - 3A □□□ 080C22 MDSKA□□ 080-22 140 |
| 664 | 26 | 1.4 | 155.000 | 1359 | 9324 | 1359 | 9325 | 1250 | 23 | 1.99E-03 | GSS07 - 3A □□□ 080C22 MDSKA□□ 080-22 140 |
| 743 | 23 | 1.3 | 175.000 | 1439 | 9324 | 1439 | 9325 | 1250 | 21 | 1.99E-03 | GSS07 - 3A □□□ 080C22 MDSKA□□ 080-22 140 |

Observe the notes for thermal dimensioning.

Selection tables - Helical-worm gearboxes

Forced ventilated asynchronous geared servo motors



| M ₂ [Nm] | n ₂ trans [rpm] | c | i | M ₂ max short-time M ₂ Gr on geared motor at | | | | n ₂ therm gearbox c=1 n ₁ ≤ 1400 rpm | | J _{GM} referred to motor shaft [kgm ²] | Servo helical- worm geared motor Dimensions on Page 7-47 |
|------------------------|-------------------------------|-----|--------|---|-------------|----------------------------|-------------|---|-------|---|---|
| | | | | 8 kHz | | 16 kHz | | [Nm] | [rpm] | | |
| | | | | M ₂ max [Nm] | Type EVS | M ₂ max [Nm] | Type EVS | | | | |
| 31 | 605 | 1.7 | 5.639 | 65 | 9324 | 82 | 9325 | 149 | 605 | 9.42E-04 | GSS04 - 2A □□□ 071C22 MDFKA□□ 071-22 120 |
| 43 | 441 | 2.0 | 7.733 | 90 | 9324 | 131 | 9325 | 158 | 441 | 8.95E-04 | GSS04 - 2A □□□ 071C22 MDFKA□□ 071-22 120 |
| 50 | 377 | 2.1 | 9.042 | 104 | 9324 | 153 | 9325 | 154 | 377 | 9.11E-04 | GSS04 - 2A □□□ 071C22 MDFKA□□ 071-22 120 |
| 55 | 345 | 2.1 | 9.897 | 116 | 9324 | 169 | 9325 | 161 | 345 | 8.73E-04 | GSS04 - 2A □□□ 071C22 MDFKA□□ 071-22 120 |
| 61 | 315 | 2.0 | 10.827 | 127 | 9324 | 185 | 9325 | 161 | 315 | 8.67E-04 | GSS04 - 2A □□□ 071C22 MDFKA□□ 071-22 120 |
| 69 | 275 | 1.8 | 12.400 | 143 | 9324 | 191 | 9325 | 170 | 275 | 8.79E-04 | GSS04 - 2A □□□ 071C22 MDFKA□□ 071-22 120 |
| 78 | 247 | 1.9 | 13.810 | 163 | 9324 | 225 | 9325 | 163 | 247 | 8.55E-04 | GSS04 - 2A □□□ 071C22 MDFKA□□ 071-22 120 |
| 88 | 215 | 1.5 | 15.869 | 183 | 9324 | 206 | 9325 | 180 | 215 | 8.63E-04 | GSS04 - 2A □□□ 071C22 MDFKA□□ 071-22 120 |
| 96 | 196 | 1.5 | 17.360 | 200 | 9324 | 212 | 9325 | 180 | 196 | 8.58E-04 | GSS04 - 2A □□□ 071C22 MDFKA□□ 071-22 120 |
| 103 | 167 | 1.1 | 20.417 | 167 | 9324 | 167 | 9325 | 153 | 167 | 8.97E-04 | GSS04 - 2A □□□ 071C22 MDFKA□□ 071-22 120 |
| 123 | 154 | 1.2 | 22.143 | 230 | 9324 | 230 | 9325 | 180 | 154 | 8.50E-04 | GSS04 - 2A □□□ 071C22 MDFKA□□ 071-22 120 |
| 150 | 126 | 1.1 | 27.125 | 245 | 9324 | 245 | 9325 | 180 | 126 | 8.44E-04 | GSS04 - 2A □□□ 071C22 MDFKA□□ 071-22 120 |
| 31 | 605 | 3.7 | 5.639 | 66 | 9324 | 96 | 9325 | 219 | 605 | 1.11E-03 | GSS05 - 2A □□□ 071C22 MDFKA□□ 071-22 120 |
| 43 | 441 | 3.4 | 7.733 | 91 | 9324 | 133 | 9325 | 267 | 441 | 9.96E-04 | GSS05 - 2A □□□ 071C22 MDFKA□□ 071-22 120 |
| 48 | 377 | 2.6 | 9.042 | 101 | 9324 | 148 | 9325 | 251 | 377 | 1.03E-03 | GSS05 - 2A □□□ 071C22 MDFKA□□ 071-22 120 |
| 55 | 345 | 3.2 | 9.897 | 117 | 9324 | 171 | 9325 | 271 | 345 | 9.40E-04 | GSS05 - 2A □□□ 071C22 MDFKA□□ 071-22 120 |
| 61 | 315 | 3.1 | 10.827 | 128 | 9324 | 187 | 9325 | 272 | 315 | 9.24E-04 | GSS05 - 2A □□□ 071C22 MDFKA□□ 071-22 120 |
| 67 | 275 | 2.7 | 12.400 | 141 | 9324 | 207 | 9325 | 279 | 275 | 9.53E-04 | GSS05 - 2A □□□ 071C22 MDFKA□□ 071-22 120 |
| 78 | 247 | 2.9 | 13.810 | 164 | 9324 | 239 | 9325 | 275 | 247 | 8.94E-04 | GSS05 - 2A □□□ 071C22 MDFKA□□ 071-22 120 |
| 87 | 215 | 2.5 | 15.869 | 182 | 9324 | 266 | 9325 | 301 | 215 | 9.14E-04 | GSS05 - 2A □□□ 071C22 MDFKA□□ 071-22 120 |
| 95 | 196 | 2.4 | 17.360 | 199 | 9324 | 291 | 9325 | 311 | 196 | 9.02E-04 | GSS05 - 2A □□□ 071C22 MDFKA□□ 071-22 120 |
| 99 | 167 | 1.4 | 20.417 | 205 | 9324 | 211 | 9325 | 253 | 167 | 9.90E-04 | GSS05 - 2A □□□ 071C22 MDFKA□□ 071-22 120 |
| 122 | 154 | 2.0 | 22.143 | 255 | 9324 | 373 | 9325 | 337 | 154 | 8.80E-04 | GSS05 - 2A □□□ 071C22 MDFKA□□ 071-22 120 |
| 125 | 138 | 1.6 | 24.800 | 260 | 9324 | 298 | 9325 | 280 | 138 | 9.36E-04 | GSS05 - 2A □□□ 071C22 MDFKA□□ 071-22 120 |
| 150 | 126 | 1.8 | 27.125 | 313 | 9324 | 400 | 9325 | 360 | 126 | 8.68E-04 | GSS05 - 2A □□□ 071C22 MDFKA□□ 071-22 120 |
| 162 | 107 | 1.3 | 31.738 | 329 | 9324 | 329 | 9325 | 306 | 107 | 9.03E-04 | GSS05 - 2A □□□ 071C22 MDFKA□□ 071-22 120 |
| 196 | 97 | 1.5 | 35.306 | 407 | 9324 | 437 | 9325 | 360 | 97 | 8.53E-04 | GSS05 - 2A □□□ 071C22 MDFKA□□ 071-22 120 |
| 198 | 87 | 1.2 | 39.200 | 347 | 9324 | 347 | 9325 | 323 | 87 | 8.91E-04 | GSS05 - 2A □□□ 071C22 MDFKA□□ 071-22 120 |
| 245 | 78 | 1.3 | 43.917 | 470 | 9324 | 470 | 9325 | 360 | 78 | 8.47E-04 | GSS05 - 2A □□□ 071C22 MDFKA□□ 071-22 120 |
| 60 | 290 | 3.2 | 5.639 | 152 | 9324 | 110 | 9324 | 223 | 290 | 2.20E-03 | GSS05 - 2A □□□ 080C22 MDFKA□□ 080-22 60 |
| 83 | 211 | 2.9 | 7.733 | 209 | 9324 | 152 | 9324 | 267 | 211 | 2.09E-03 | GSS05 - 2A □□□ 080C22 MDFKA□□ 080-22 60 |
| 94 | 181 | 2.5 | 9.042 | 237 | 9324 | 172 | 9324 | 251 | 181 | 2.12E-03 | GSS05 - 2A □□□ 080C22 MDFKA□□ 080-22 60 |
| 107 | 165 | 2.5 | 9.897 | 268 | 9324 | 195 | 9324 | 271 | 165 | 2.03E-03 | GSS05 - 2A □□□ 080C22 MDFKA□□ 080-22 60 |
| 117 | 151 | 2.3 | 10.827 | 293 | 9324 | 213 | 9324 | 272 | 151 | 2.01E-03 | GSS05 - 2A □□□ 080C22 MDFKA□□ 080-22 60 |

Observe the notes for thermal dimensioning.

Selection tables - Helical-worm gearboxes

Forced ventilated asynchronous geared servo motors

| M ₂ [Nm] | n ₂ trans [rpm] | c | i | M ₂ max short-time M ₂ Gr on geared motor at | | | | n ₂ therm gearbox c=1 n ₁ ≤ 1400 rpm | | J _{GM} referred to motor shaft [kgm ²] | Servo helical- worm geared motor Dimensions on Page 7-47 |
|------------------------|-------------------------------|-----|--------|---|-------------|----------------------------|-------------|---|-------|---|---|
| | | | | 8 kHz | | 16 kHz | | [Nm] | [rpm] | | |
| | | | | M ₂ max [Nm] | Type EVS | M ₂ max [Nm] | Type EVS | | | | |
| 130 | 132 | 2.0 | 12.400 | 325 | 9324 | 236 | 9324 | 279 | 132 | 2.04E-03 | GSS05 - 2A □□□ 080C22 MDFKA□□ 080-22 60 |
| 151 | 118 | 1.8 | 13.810 | 375 | 9324 | 272 | 9324 | 275 | 118 | 1.98E-03 | GSS05 - 2A □□□ 080C22 MDFKA□□ 080-22 60 |
| 168 | 103 | 1.7 | 15.869 | 417 | 9324 | 303 | 9324 | 301 | 103 | 2.00E-03 | GSS05 - 2A □□□ 080C22 MDFKA□□ 080-22 60 |
| 184 | 94 | 1.6 | 17.360 | 438 | 9324 | 331 | 9324 | 311 | 94 | 1.99E-03 | GSS05 - 2A □□□ 080C22 MDFKA□□ 080-22 60 |
| 196 | 80 | 1.2 | 20.417 | 354 | 9324 | 352 | 9324 | 253 | 80 | 2.08E-03 | GSS05 - 2A □□□ 080C22 MDFKA□□ 080-22 60 |
| 235 | 74 | 1.3 | 22.143 | 475 | 9324 | 423 | 9324 | 337 | 74 | 1.97E-03 | GSS05 - 2A □□□ 080C22 MDFKA□□ 080-22 60 |
| 245 | 66 | 1.1 | 24.800 | 392 | 9324 | 392 | 9324 | 280 | 66 | 2.03E-03 | GSS05 - 2A □□□ 080C22 MDFKA□□ 080-22 60 |
| 288 | 60 | 1.2 | 27.125 | 508 | 9324 | 508 | 9324 | 360 | 60 | 1.96E-03 | GSS05 - 2A □□□ 080C22 MDFKA□□ 080-22 60 |
| 54 | 613 | 2.2 | 5.639 | 148 | 9325 | 107 | 9325 | 223 | 613 | 2.20E-03 | GSS05 - 2A □□□ 080C22 MDFKA□□ 080-22 120 |
| 75 | 447 | 2.0 | 7.733 | 205 | 9325 | 148 | 9325 | 267 | 447 | 2.09E-03 | GSS05 - 2A □□□ 080C22 MDFKA□□ 080-22 120 |
| 84 | 382 | 1.5 | 9.042 | 190 | 9325 | 165 | 9325 | 251 | 382 | 2.12E-03 | GSS05 - 2A □□□ 080C22 MDFKA□□ 080-22 120 |
| 96 | 349 | 1.8 | 9.897 | 263 | 9325 | 190 | 9325 | 271 | 349 | 2.03E-03 | GSS05 - 2A □□□ 080C22 MDFKA□□ 080-22 120 |
| 105 | 319 | 1.8 | 10.827 | 286 | 9325 | 208 | 9325 | 272 | 319 | 2.01E-03 | GSS05 - 2A □□□ 080C22 MDFKA□□ 080-22 120 |
| 117 | 279 | 1.6 | 12.400 | 280 | 9325 | 230 | 9325 | 279 | 279 | 2.04E-03 | GSS05 - 2A □□□ 080C22 MDFKA□□ 080-22 120 |
| 135 | 250 | 1.7 | 13.810 | 340 | 9325 | 267 | 9325 | 275 | 250 | 1.98E-03 | GSS05 - 2A □□□ 080C22 MDFKA□□ 080-22 120 |
| 150 | 218 | 1.5 | 15.869 | 333 | 9325 | 297 | 9325 | 301 | 218 | 2.00E-03 | GSS05 - 2A □□□ 080C22 MDFKA□□ 080-22 120 |
| 165 | 199 | 1.4 | 17.360 | 344 | 9325 | 325 | 9325 | 311 | 199 | 1.99E-03 | GSS05 - 2A □□□ 080C22 MDFKA□□ 080-22 120 |
| 211 | 156 | 1.2 | 22.143 | 374 | 9325 | 374 | 9325 | 337 | 156 | 1.97E-03 | GSS05 - 2A □□□ 080C22 MDFKA□□ 080-22 120 |
| 260 | 127 | 1.0 | 27.125 | 400 | 9325 | 400 | 9325 | 360 | 127 | 1.96E-03 | GSS05 - 2A □□□ 080C22 MDFKA□□ 080-22 120 |
| 57 | 333 | 4.8 | 10.238 | 122 | 9324 | 178 | 9325 | 397 | 333 | 1.11E-03 | GSS06 - 2A □□□ 071C22 MDFKA□□ 071-22 120 |
| 62 | 304 | 4.7 | 11.200 | 133 | 9324 | 195 | 9325 | 440 | 304 | 1.07E-03 | GSS06 - 2A □□□ 071C22 MDFKA□□ 071-22 120 |
| 80 | 239 | 4.4 | 14.286 | 170 | 9324 | 249 | 9325 | 513 | 239 | 9.93E-04 | GSS06 - 2A □□□ 071C22 MDFKA□□ 071-22 120 |
| 87 | 215 | 3.7 | 15.869 | 186 | 9324 | 271 | 9325 | 597 | 215 | 1.06E-03 | GSS06 - 2A □□□ 071C22 MDFKA□□ 071-22 120 |
| 95 | 196 | 3.6 | 17.360 | 203 | 9324 | 297 | 9325 | 624 | 196 | 1.03E-03 | GSS06 - 2A □□□ 071C22 MDFKA□□ 071-22 120 |
| 122 | 154 | 3.4 | 22.143 | 258 | 9324 | 378 | 9325 | 673 | 154 | 9.69E-04 | GSS06 - 2A □□□ 071C22 MDFKA□□ 071-22 120 |
| 149 | 126 | 3.2 | 27.125 | 316 | 9324 | 462 | 9325 | 718 | 126 | 9.34E-04 | GSS06 - 2A □□□ 071C22 MDFKA□□ 071-22 120 |
| 166 | 107 | 2.2 | 31.738 | 347 | 9324 | 507 | 9325 | 609 | 107 | 1.04E-03 | GSS06 - 2A □□□ 071C22 MDFKA□□ 071-22 120 |
| 195 | 97 | 2.9 | 35.306 | 410 | 9324 | 600 | 9325 | 720 | 97 | 8.96E-04 | GSS06 - 2A □□□ 071C22 MDFKA□□ 071-22 120 |
| 203 | 87 | 2.0 | 39.200 | 424 | 9324 | 619 | 9325 | 637 | 87 | 9.93E-04 | GSS06 - 2A □□□ 071C22 MDFKA□□ 071-22 120 |
| 242 | 78 | 2.5 | 43.917 | 509 | 9324 | 743 | 9325 | 720 | 78 | 8.77E-04 | GSS06 - 2A □□□ 071C22 MDFKA□□ 071-22 120 |
| 258 | 68 | 1.9 | 50.000 | 539 | 9324 | 743 | 9325 | 693 | 68 | 9.46E-04 | GSS06 - 2A □□□ 071C22 MDFKA□□ 071-22 120 |
| 282 | 63 | 1.9 | 54.250 | 589 | 9324 | 808 | 9325 | 720 | 63 | 9.25E-04 | GSS06 - 2A □□□ 071C22 MDFKA□□ 071-22 120 |
| 316 | 56 | 1.7 | 61.250 | 658 | 9324 | 821 | 9325 | 720 | 56 | 9.19E-04 | GSS06 - 2A □□□ 071C22 MDFKA□□ 071-22 120 |
| 366 | 48 | 1.6 | 70.611 | 761 | 9324 | 886 | 9325 | 720 | 48 | 8.91E-04 | GSS06 - 2A □□□ 071C22 MDFKA□□ 071-22 120 |

Observe the notes for thermal dimensioning.

Selection tables - Helical-worm gearboxes

Forced ventilated asynchronous geared servo motors



| M ₂ [Nm] | n ₂ trans [rpm] | c | i | M ₂ max short-time M ₂ Gr on geared motor at | | | | n ₂ therm gearbox c=1 n ₁ ≤ 1400 rpm | | J _{GM} referred to motor shaft [kgm ²] | Servo helical- worm geared motor Dimensions on Page 7-47 |
|------------------------|-------------------------------|-----|---------|---|-------------|----------------------------|-------------|---|-------|---|---|
| | | | | 8 kHz | | 16 kHz | | [Nm] | [rpm] | | |
| | | | | M ₂ max [Nm] | Type EVS | M ₂ max [Nm] | Type EVS | | | | |
| 410 | 43 | 1.5 | 79.722 | 852 | 9324 | 898 | 9325 | 720 | 43 | 8.87E-04 | GSS06 - 2A □□□ 071C22 MDFKA□□ 071-22 120 |
| 455 | 39 | 1.4 | 87.833 | 943 | 9324 | 956 | 9325 | 720 | 39 | 8.74E-04 | GSS06 - 2A □□□ 071C22 MDFKA□□ 071-22 120 |
| 509 | 34 | 1.3 | 99.167 | 968 | 9324 | 968 | 9325 | 720 | 34 | 8.72E-04 | GSS06 - 2A □□□ 071C22 MDFKA□□ 071-22 120 |
| 587 | 30 | 1.2 | 113.667 | 1045 | 9324 | 1045 | 9325 | 720 | 30 | 8.58E-04 | GSS06 - 2A □□□ 071C22 MDFKA□□ 071-22 120 |
| 656 | 27 | 1.1 | 128.333 | 1058 | 9324 | 1058 | 9325 | 720 | 27 | 8.56E-04 | GSS06 - 2A □□□ 071C22 MDFKA□□ 071-22 120 |
| 709 | 25 | 1.0 | 137.950 | 1080 | 9324 | 1080 | 9325 | 720 | 25 | 8.50E-04 | GSS06 - 2A □□□ 071C22 MDFKA□□ 071-22 120 |
| 61 | 280 | 4.9 | 5.833 | 158 | 9324 | 115 | 9324 | 356 | 280 | 2.62E-03 | GSS06 - 2A □□□ 080C22 MDFKA□□ 080-22 60 |
| 85 | 204 | 4.4 | 8.000 | 217 | 9324 | 158 | 9324 | 489 | 204 | 2.34E-03 | GSS06 - 2A □□□ 080C22 MDFKA□□ 080-22 60 |
| 95 | 181 | 3.8 | 9.042 | 241 | 9324 | 175 | 9324 | 417 | 181 | 2.47E-03 | GSS06 - 2A □□□ 080C22 MDFKA□□ 080-22 60 |
| 109 | 160 | 4.5 | 10.238 | 279 | 9324 | 203 | 9324 | 522 | 160 | 2.20E-03 | GSS06 - 2A □□□ 080C22 MDFKA□□ 080-22 60 |
| 119 | 146 | 4.2 | 11.200 | 305 | 9324 | 222 | 9324 | 524 | 146 | 2.16E-03 | GSS06 - 2A □□□ 080C22 MDFKA□□ 080-22 60 |
| 130 | 132 | 3.4 | 12.400 | 329 | 9324 | 239 | 9324 | 523 | 132 | 2.27E-03 | GSS06 - 2A □□□ 080C22 MDFKA□□ 080-22 60 |
| 154 | 114 | 3.3 | 14.286 | 390 | 9324 | 283 | 9324 | 528 | 114 | 2.08E-03 | GSS06 - 2A □□□ 080C22 MDFKA□□ 080-22 60 |
| 166 | 103 | 3.2 | 15.869 | 420 | 9324 | 305 | 9324 | 605 | 103 | 2.15E-03 | GSS06 - 2A □□□ 080C22 MDFKA□□ 080-22 60 |
| 182 | 94 | 3.1 | 17.360 | 460 | 9324 | 334 | 9324 | 624 | 94 | 2.12E-03 | GSS06 - 2A □□□ 080C22 MDFKA□□ 080-22 60 |
| 201 | 80 | 2.1 | 20.417 | 502 | 9324 | 365 | 9324 | 488 | 80 | 2.34E-03 | GSS06 - 2A □□□ 080C22 MDFKA□□ 080-22 60 |
| 232 | 74 | 2.7 | 22.143 | 584 | 9324 | 424 | 9324 | 673 | 74 | 2.06E-03 | GSS06 - 2A □□□ 080C22 MDFKA□□ 080-22 60 |
| 246 | 66 | 2.0 | 24.800 | 614 | 9324 | 446 | 9324 | 561 | 66 | 2.23E-03 | GSS06 - 2A □□□ 080C22 MDFKA□□ 080-22 60 |
| 285 | 60 | 2.3 | 27.125 | 712 | 9324 | 517 | 9324 | 718 | 60 | 2.02E-03 | GSS06 - 2A □□□ 080C22 MDFKA□□ 080-22 60 |
| 314 | 52 | 1.8 | 31.738 | 782 | 9324 | 568 | 9324 | 609 | 52 | 2.13E-03 | GSS06 - 2A □□□ 080C22 MDFKA□□ 080-22 60 |
| 371 | 46 | 1.9 | 35.306 | 923 | 9324 | 671 | 9324 | 720 | 46 | 1.99E-03 | GSS06 - 2A □□□ 080C22 MDFKA□□ 080-22 60 |
| 385 | 42 | 1.5 | 39.200 | 898 | 9324 | 694 | 9324 | 637 | 42 | 2.08E-03 | GSS06 - 2A □□□ 080C22 MDFKA□□ 080-22 60 |
| 460 | 37 | 1.6 | 43.917 | 1080 | 9324 | 830 | 9324 | 720 | 37 | 1.97E-03 | GSS06 - 2A □□□ 080C22 MDFKA□□ 080-22 60 |
| 488 | 33 | 1.3 | 50.000 | 975 | 9324 | 879 | 9324 | 693 | 33 | 2.04E-03 | GSS06 - 2A □□□ 080C22 MDFKA□□ 080-22 60 |
| 534 | 30 | 1.3 | 54.250 | 1033 | 9324 | 959 | 9324 | 720 | 30 | 2.02E-03 | GSS06 - 2A □□□ 080C22 MDFKA□□ 080-22 60 |
| 596 | 27 | 1.2 | 61.250 | 1045 | 9324 | 1045 | 9324 | 720 | 27 | 2.01E-03 | GSS06 - 2A □□□ 080C22 MDFKA□□ 080-22 60 |
| 690 | 23 | 1.0 | 70.611 | 1080 | 9324 | 1080 | 9324 | 720 | 23 | 1.98E-03 | GSS06 - 2A □□□ 080C22 MDFKA□□ 080-22 60 |
| 56 | 592 | 2.6 | 5.833 | 154 | 9325 | 112 | 9325 | 356 | 592 | 2.62E-03 | GSS06 - 2A □□□ 080C22 MDFKA□□ 080-22 120 |
| 77 | 432 | 2.8 | 8.000 | 213 | 9325 | 154 | 9325 | 489 | 432 | 2.34E-03 | GSS06 - 2A □□□ 080C22 MDFKA□□ 080-22 120 |
| 86 | 382 | 2.5 | 9.042 | 238 | 9325 | 172 | 9325 | 417 | 382 | 2.47E-03 | GSS06 - 2A □□□ 080C22 MDFKA□□ 080-22 120 |
| 99 | 337 | 2.8 | 10.238 | 274 | 9325 | 198 | 9325 | 522 | 337 | 2.20E-03 | GSS06 - 2A □□□ 080C22 MDFKA□□ 080-22 120 |
| 109 | 308 | 2.7 | 11.200 | 300 | 9325 | 217 | 9325 | 524 | 308 | 2.16E-03 | GSS06 - 2A □□□ 080C22 MDFKA□□ 080-22 120 |
| 119 | 279 | 2.3 | 12.400 | 327 | 9325 | 236 | 9325 | 523 | 279 | 2.27E-03 | GSS06 - 2A □□□ 080C22 MDFKA□□ 080-22 120 |
| 139 | 242 | 2.5 | 14.286 | 384 | 9325 | 278 | 9325 | 528 | 242 | 2.08E-03 | GSS06 - 2A □□□ 080C22 MDFKA□□ 080-22 120 |

Observe the notes for thermal dimensioning.

Selection tables - Helical-worm gearboxes

Forced ventilated asynchronous geared servo motors

| M ₂ [Nm] | n ₂ trans [rpm] | c | i | M ₂ max short-time M ₂ Gr on geared motor at | | | | n ₂ therm gearbox c=1 n ₁ ≤ 1400 rpm | | J _{GM} referred to motor shaft [kgm ²] | Servo helical- worm geared motor Dimensions on Page 7-47 |
|------------------------|-------------------------------|-----|--------|---|-------------|----------------------------|-------------|---|-------|---|---|
| | | | | 8 kHz | | 16 kHz | | [Nm] | [rpm] | | |
| | | | | M ₂ max [Nm] | Type EVS | M ₂ max [Nm] | Type EVS | | | | |
| 152 | 218 | 2.2 | 15.869 | 418 | 9325 | 303 | 9325 | 605 | 218 | 2.15E-03 | GSS06 - 2A □□□ 080C22 MDFKA□□ 080-22 120 |
| 166 | 199 | 2.1 | 17.360 | 457 | 9325 | 331 | 9325 | 624 | 199 | 2.12E-03 | GSS06 - 2A □□□ 080C22 MDFKA□□ 080-22 120 |
| 182 | 169 | 1.4 | 20.417 | 394 | 9325 | 358 | 9325 | 488 | 169 | 2.34E-03 | GSS06 - 2A □□□ 080C22 MDFKA□□ 080-22 120 |
| 212 | 156 | 2.0 | 22.143 | 582 | 9325 | 421 | 9325 | 673 | 156 | 2.06E-03 | GSS06 - 2A □□□ 080C22 MDFKA□□ 080-22 120 |
| 225 | 139 | 1.4 | 24.800 | 461 | 9325 | 443 | 9325 | 561 | 139 | 2.23E-03 | GSS06 - 2A □□□ 080C22 MDFKA□□ 080-22 120 |
| 260 | 127 | 1.9 | 27.125 | 712 | 9325 | 515 | 9325 | 718 | 127 | 2.02E-03 | GSS06 - 2A □□□ 080C22 MDFKA□□ 080-22 120 |
| 287 | 109 | 1.3 | 31.738 | 550 | 9325 | 550 | 9325 | 609 | 109 | 2.13E-03 | GSS06 - 2A □□□ 080C22 MDFKA□□ 080-22 120 |
| 338 | 98 | 1.7 | 35.306 | 878 | 9325 | 669 | 9325 | 720 | 98 | 1.99E-03 | GSS06 - 2A □□□ 080C22 MDFKA□□ 080-22 120 |
| 351 | 88 | 1.2 | 39.200 | 625 | 9325 | 625 | 9325 | 637 | 88 | 2.08E-03 | GSS06 - 2A □□□ 080C22 MDFKA□□ 080-22 120 |
| 420 | 79 | 1.5 | 43.917 | 941 | 9325 | 830 | 9325 | 720 | 79 | 1.97E-03 | GSS06 - 2A □□□ 080C22 MDFKA□□ 080-22 120 |
| 447 | 69 | 1.1 | 50.000 | 743 | 9325 | 743 | 9325 | 693 | 69 | 2.04E-03 | GSS06 - 2A □□□ 080C22 MDFKA□□ 080-22 120 |
| 488 | 64 | 1.1 | 54.250 | 808 | 9325 | 808 | 9325 | 720 | 64 | 2.02E-03 | GSS06 - 2A □□□ 080C22 MDFKA□□ 080-22 120 |
| 547 | 56 | 1.0 | 61.250 | 821 | 9325 | 821 | 9325 | 720 | 56 | 2.01E-03 | GSS06 - 2A □□□ 080C22 MDFKA□□ 080-22 120 |
| 113 | 288 | 2.7 | 5.833 | 305 | 9325 | 224 | 9325 | 356 | 288 | 4.30E-03 | GSS06 - 2A □□□ 090C22 MDFKA□□ 090-22 60 |
| 155 | 210 | 2.4 | 8.000 | 420 | 9325 | 309 | 9325 | 489 | 210 | 4.02E-03 | GSS06 - 2A □□□ 090C22 MDFKA□□ 090-22 60 |
| 173 | 186 | 2.1 | 9.042 | 465 | 9325 | 341 | 9325 | 417 | 186 | 4.15E-03 | GSS06 - 2A □□□ 090C22 MDFKA□□ 090-22 60 |
| 199 | 164 | 2.5 | 10.238 | 539 | 9325 | 396 | 9325 | 522 | 164 | 3.88E-03 | GSS06 - 2A □□□ 090C22 MDFKA□□ 090-22 60 |
| 218 | 150 | 2.4 | 11.200 | 590 | 9325 | 433 | 9325 | 524 | 150 | 3.84E-03 | GSS06 - 2A □□□ 090C22 MDFKA□□ 090-22 60 |
| 237 | 135 | 1.9 | 12.400 | 636 | 9325 | 467 | 9325 | 523 | 135 | 3.95E-03 | GSS06 - 2A □□□ 090C22 MDFKA□□ 090-22 60 |
| 281 | 118 | 1.9 | 14.286 | 753 | 9325 | 553 | 9325 | 528 | 118 | 3.76E-03 | GSS06 - 2A □□□ 090C22 MDFKA□□ 090-22 60 |
| 303 | 106 | 1.8 | 15.869 | 812 | 9325 | 597 | 9325 | 605 | 106 | 3.83E-03 | GSS06 - 2A □□□ 090C22 MDFKA□□ 090-22 60 |
| 331 | 97 | 1.8 | 17.360 | 876 | 9325 | 652 | 9325 | 624 | 97 | 3.80E-03 | GSS06 - 2A □□□ 090C22 MDFKA□□ 090-22 60 |
| 364 | 82 | 1.2 | 20.417 | 644 | 9325 | 644 | 9325 | 488 | 82 | 4.02E-03 | GSS06 - 2A □□□ 090C22 MDFKA□□ 090-22 60 |
| 422 | 76 | 1.5 | 22.143 | 951 | 9325 | 828 | 9325 | 673 | 76 | 3.74E-03 | GSS06 - 2A □□□ 090C22 MDFKA□□ 090-22 60 |
| 445 | 68 | 1.1 | 24.800 | 758 | 9325 | 758 | 9325 | 561 | 68 | 3.91E-03 | GSS06 - 2A □□□ 090C22 MDFKA□□ 090-22 60 |
| 516 | 62 | 1.3 | 27.125 | 1014 | 9325 | 1011 | 9325 | 718 | 62 | 3.70E-03 | GSS06 - 2A □□□ 090C22 MDFKA□□ 090-22 60 |
| 568 | 53 | 1.0 | 31.738 | 858 | 9325 | 858 | 9325 | 609 | 53 | 3.81E-03 | GSS06 - 2A □□□ 090C22 MDFKA□□ 090-22 60 |
| 100 | 597 | 1.5 | 5.833 | 221 | 9326 | 221 | 9327 | 356 | 533 | 4.30E-03 | GSS06 - 2A □□□ 090C22 MDFKA□□ 090-22 120 |
| 137 | 435 | 1.6 | 8.000 | 333 | 9326 | 325 | 9327 | 489 | 389 | 4.02E-03 | GSS06 - 2A □□□ 090C22 MDFKA□□ 090-22 120 |
| 153 | 385 | 1.4 | 9.042 | 334 | 9326 | 334 | 9327 | 417 | 344 | 4.15E-03 | GSS06 - 2A □□□ 090C22 MDFKA□□ 090-22 120 |
| 177 | 340 | 1.6 | 10.238 | 424 | 9326 | 417 | 9327 | 522 | 304 | 3.88E-03 | GSS06 - 2A □□□ 090C22 MDFKA□□ 090-22 120 |
| 193 | 311 | 1.6 | 11.200 | 456 | 9326 | 456 | 9327 | 524 | 278 | 3.84E-03 | GSS06 - 2A □□□ 090C22 MDFKA□□ 090-22 120 |
| 211 | 281 | 1.3 | 12.400 | 419 | 9326 | 419 | 9327 | 523 | 251 | 3.95E-03 | GSS06 - 2A □□□ 090C22 MDFKA□□ 090-22 120 |
| 248 | 244 | 1.4 | 14.286 | 540 | 9326 | 540 | 9327 | 528 | 218 | 3.76E-03 | GSS06 - 2A □□□ 090C22 MDFKA□□ 090-22 120 |

Observe the notes for thermal dimensioning.

Selection tables - Helical-worm gearboxes

Forced ventilated asynchronous geared servo motors



| M ₂ [Nm] | n ₂ trans [rpm] | c | i | M ₂ max short-time M ₂ Gr on geared motor at | | | | n ₂ therm gearbox c=1 n ₁ ≤ 1400 rpm | | J _{GM} referred to motor shaft [kgm ²] | Servo helical- worm geared motor Dimensions on Page 7-47 |
|------------------------|-------------------------------|------------|----------------|---|-------------|----------------------------|-------------|---|-----------|---|---|
| | | | | 8 kHz | | 16 kHz | | [Nm] | [rpm] | | |
| | | | | M ₂ max [Nm] | Type EVS | M ₂ max [Nm] | Type EVS | | | | |
| 270 | 219 | 1.2 | 15.869 | 500 | 9326 | 500 | 9327 | 605 | 196 | 3.83E-03 | GSS06 - 2A □□□ 090C22 MDFKA□□ 090-22 120 |
| 296 | 200 | 1.2 | 17.360 | 533 | 9326 | 533 | 9327 | 624 | 179 | 3.80E-03 | GSS06 - 2A □□□ 090C22 MDFKA□□ 090-22 120 |
| 377 | 157 | 1.1 | 22.143 | 635 | 9326 | 635 | 9327 | 673 | 141 | 3.74E-03 | GSS06 - 2A □□□ 090C22 MDFKA□□ 090-22 120 |
| 462 | 128 | 1.1 | 27.125 | 734 | 9326 | 734 | 9327 | 718 | 115 | 3.70E-03 | GSS06 - 2A □□□ 090C22 MDFKA□□ 090-22 120 |
| 623 | 27 | 1.1 | 126.531 | 1047 | 9324 | 1047 | 9325 | 720 | 27 | 8.61E-04 | GSS06 - 3A □□□ 071C22 MDFKA□□ 071-22 120 |
| 695 | 24 | 1.0 | 142.857 | 1058 | 9324 | 1058 | 9325 | 720 | 24 | 8.60E-04 | GSS06 - 3A □□□ 071C22 MDFKA□□ 071-22 120 |
| 121 | 154 | 5.0 | 22.143 | 260 | 9324 | 380 | 9325 | 836 | 154 | 1.25E-03 | GSS07 - 2A □□□ 071C22 MDFKA□□ 071-22 120 |
| 193 | 97 | 4.5 | 35.306 | 414 | 9324 | 605 | 9325 | 1052 | 97 | 1.03E-03 | GSS07 - 2A □□□ 071C22 MDFKA□□ 071-22 120 |
| 237 | 79 | 4.2 | 43.271 | 507 | 9324 | 740 | 9325 | 1090 | 79 | 9.73E-04 | GSS07 - 2A □□□ 071C22 MDFKA□□ 071-22 120 |
| 260 | 68 | 2.9 | 50.000 | 549 | 9324 | 803 | 9325 | 1250 | 68 | 1.18E-03 | GSS07 - 2A □□□ 071C22 MDFKA□□ 071-22 120 |
| 370 | 48 | 2.7 | 70.611 | 779 | 9324 | 1139 | 9325 | 1250 | 48 | 1.01E-03 | GSS07 - 2A □□□ 071C22 MDFKA□□ 071-22 120 |
| 414 | 43 | 2.6 | 79.722 | 871 | 9324 | 1273 | 9325 | 1250 | 43 | 1.00E-03 | GSS07 - 2A □□□ 071C22 MDFKA□□ 071-22 120 |
| 454 | 39 | 2.5 | 86.542 | 953 | 9324 | 1393 | 9325 | 1250 | 39 | 9.64E-04 | GSS07 - 2A □□□ 071C22 MDFKA□□ 071-22 120 |
| 508 | 35 | 2.3 | 97.708 | 1065 | 9324 | 1556 | 9325 | 1250 | 35 | 9.56E-04 | GSS07 - 2A □□□ 071C22 MDFKA□□ 071-22 120 |
| 596 | 30 | 2.1 | 113.667 | 1245 | 9324 | 1819 | 9325 | 1250 | 30 | 9.13E-04 | GSS07 - 2A □□□ 071C22 MDFKA□□ 071-22 120 |
| 667 | 27 | 1.9 | 128.333 | 1390 | 9324 | 1875 | 9325 | 1250 | 27 | 9.09E-04 | GSS07 - 2A □□□ 071C22 MDFKA□□ 071-22 120 |
| 722 | 25 | 1.7 | 137.950 | 1502 | 9324 | 1875 | 9325 | 1250 | 25 | 8.91E-04 | GSS07 - 2A □□□ 071C22 MDFKA□□ 071-22 120 |
| 808 | 22 | 1.5 | 155.750 | 1679 | 9324 | 1875 | 9325 | 1250 | 22 | 8.88E-04 | GSS07 - 2A □□□ 071C22 MDFKA□□ 071-22 120 |
| 908 | 20 | 1.4 | 174.375 | 1875 | 9324 | 1875 | 9325 | 1250 | 20 | 8.69E-04 | GSS07 - 2A □□□ 071C22 MDFKA□□ 071-22 120 |
| 1017 | 17 | 1.2 | 196.875 | 1875 | 9324 | 1875 | 9325 | 1250 | 17 | 8.67E-04 | GSS07 - 2A □□□ 071C22 MDFKA□□ 071-22 120 |
| 152 | 114 | 5.2 | 14.286 | 393 | 9324 | 285 | 9324 | 832 | 114 | 2.40E-03 | GSS07 - 2A □□□ 080C22 MDFKA□□ 080-22 60 |
| 161 | 105 | 4.8 | 15.500 | 414 | 9324 | 301 | 9324 | 931 | 105 | 2.70E-03 | GSS07 - 2A □□□ 080C22 MDFKA□□ 080-22 60 |
| 180 | 94 | 4.7 | 17.360 | 464 | 9324 | 337 | 9324 | 1012 | 94 | 2.56E-03 | GSS07 - 2A □□□ 080C22 MDFKA□□ 080-22 60 |
| 230 | 74 | 4.4 | 22.143 | 590 | 9324 | 428 | 9324 | 1211 | 74 | 2.34E-03 | GSS07 - 2A □□□ 080C22 MDFKA□□ 080-22 60 |
| 282 | 60 | 4.2 | 27.125 | 721 | 9324 | 523 | 9324 | 1250 | 60 | 2.23E-03 | GSS07 - 2A □□□ 080C22 MDFKA□□ 080-22 60 |
| 309 | 53 | 2.9 | 31.000 | 780 | 9324 | 567 | 9324 | 1065 | 53 | 2.63E-03 | GSS07 - 2A □□□ 080C22 MDFKA□□ 080-22 60 |
| 369 | 46 | 3.3 | 35.306 | 935 | 9324 | 679 | 9324 | 1250 | 46 | 2.12E-03 | GSS07 - 2A □□□ 080C22 MDFKA□□ 080-22 60 |
| 388 | 42 | 2.7 | 39.200 | 975 | 9324 | 709 | 9324 | 1175 | 42 | 2.46E-03 | GSS07 - 2A □□□ 080C22 MDFKA□□ 080-22 60 |
| 454 | 38 | 2.7 | 43.271 | 1141 | 9324 | 829 | 9324 | 1250 | 38 | 2.06E-03 | GSS07 - 2A □□□ 080C22 MDFKA□□ 080-22 60 |
| 495 | 33 | 2.4 | 50.000 | 1240 | 9324 | 901 | 9324 | 1250 | 33 | 2.27E-03 | GSS07 - 2A □□□ 080C22 MDFKA□□ 080-22 60 |
| 541 | 30 | 2.3 | 54.250 | 1354 | 9324 | 984 | 9324 | 1250 | 30 | 2.21E-03 | GSS07 - 2A □□□ 080C22 MDFKA□□ 080-22 60 |
| 606 | 27 | 2.0 | 61.250 | 1513 | 9324 | 1099 | 9324 | 1250 | 27 | 2.19E-03 | GSS07 - 2A □□□ 080C22 MDFKA□□ 080-22 60 |
| 703 | 23 | 1.8 | 70.611 | 1749 | 9324 | 1270 | 9324 | 1250 | 23 | 2.10E-03 | GSS07 - 2A □□□ 080C22 MDFKA□□ 080-22 60 |
| 787 | 21 | 1.6 | 79.722 | 1875 | 9324 | 1420 | 9324 | 1250 | 21 | 2.09E-03 | GSS07 - 2A □□□ 080C22 MDFKA□□ 080-22 60 |

Observe the notes for thermal dimensioning.

Selection tables - Helical-worm gearboxes

Forced ventilated asynchronous geared servo motors

| M ₂ [Nm] | n ₂ trans [rpm] | c | i | M ₂ max short-time M ₂ Gr on geared motor at | | | | n ₂ therm gearbox c=1 n ₁ ≤ 1400 rpm | | J _{GM} referred to motor shaft [kgm ²] | Servo helical- worm geared motor Dimensions on Page 7-47 |
|------------------------|-------------------------------|-----|---------|---|-------------|----------------------------|-------------|---|-------|---|---|
| | | | | 8 kHz | | 16 kHz | | [Nm] | [rpm] | | |
| | | | | M ₂ max [Nm] | Type EVS | M ₂ max [Nm] | Type EVS | | | | |
| 858 | 19 | 1.5 | 86.542 | 1875 | 9324 | 1545 | 9324 | 1250 | 19 | 2.05E-03 | GSS07 - 2A □□□ 080C22 MDFKA□□ 080-22 60 |
| 961 | 17 | 1.3 | 97.708 | 1875 | 9324 | 1727 | 9324 | 1250 | 17 | 2.05E-03 | GSS07 - 2A □□□ 080C22 MDFKA□□ 080-22 60 |
| 1119 | 14 | 1.1 | 113.667 | 1875 | 9324 | 1875 | 9324 | 1250 | 14 | 2.00E-03 | GSS07 - 2A □□□ 080C22 MDFKA□□ 080-22 60 |
| 96 | 346 | 4.2 | 10.000 | 271 | 9325 | 196 | 9325 | 746 | 346 | 2.83E-03 | GSS07 - 2A □□□ 080C22 MDFKA□□ 080-22 120 |
| 108 | 308 | 4.1 | 11.200 | 304 | 9325 | 220 | 9325 | 775 | 308 | 2.67E-03 | GSS07 - 2A □□□ 080C22 MDFKA□□ 080-22 120 |
| 139 | 242 | 3.8 | 14.286 | 388 | 9325 | 281 | 9325 | 832 | 242 | 2.40E-03 | GSS07 - 2A □□□ 080C22 MDFKA□□ 080-22 120 |
| 148 | 223 | 3.3 | 15.500 | 411 | 9325 | 297 | 9325 | 931 | 223 | 2.70E-03 | GSS07 - 2A □□□ 080C22 MDFKA□□ 080-22 120 |
| 166 | 199 | 3.1 | 17.360 | 460 | 9325 | 333 | 9325 | 1012 | 199 | 2.56E-03 | GSS07 - 2A □□□ 080C22 MDFKA□□ 080-22 120 |
| 212 | 156 | 2.9 | 22.143 | 587 | 9325 | 425 | 9325 | 1211 | 156 | 2.34E-03 | GSS07 - 2A □□□ 080C22 MDFKA□□ 080-22 120 |
| 260 | 127 | 2.8 | 27.125 | 718 | 9325 | 520 | 9325 | 1250 | 127 | 2.23E-03 | GSS07 - 2A □□□ 080C22 MDFKA□□ 080-22 120 |
| 282 | 111 | 2.0 | 31.000 | 774 | 9325 | 560 | 9325 | 1065 | 111 | 2.63E-03 | GSS07 - 2A □□□ 080C22 MDFKA□□ 080-22 120 |
| 338 | 98 | 2.6 | 35.306 | 934 | 9325 | 676 | 9325 | 1250 | 98 | 2.12E-03 | GSS07 - 2A □□□ 080C22 MDFKA□□ 080-22 120 |
| 355 | 88 | 1.8 | 39.200 | 971 | 9325 | 703 | 9325 | 1175 | 88 | 2.46E-03 | GSS07 - 2A □□□ 080C22 MDFKA□□ 080-22 120 |
| 414 | 80 | 2.5 | 43.271 | 1142 | 9325 | 826 | 9325 | 1250 | 80 | 2.06E-03 | GSS07 - 2A □□□ 080C22 MDFKA□□ 080-22 120 |
| 452 | 69 | 1.7 | 50.000 | 1159 | 9325 | 895 | 9325 | 1250 | 69 | 2.27E-03 | GSS07 - 2A □□□ 080C22 MDFKA□□ 080-22 120 |
| 495 | 64 | 1.7 | 54.250 | 1264 | 9325 | 980 | 9325 | 1250 | 64 | 2.21E-03 | GSS07 - 2A □□□ 080C22 MDFKA□□ 080-22 120 |
| 554 | 56 | 1.6 | 61.250 | 1344 | 9325 | 1095 | 9325 | 1250 | 56 | 2.19E-03 | GSS07 - 2A □□□ 080C22 MDFKA□□ 080-22 120 |
| 643 | 49 | 1.6 | 70.611 | 1537 | 9325 | 1271 | 9325 | 1250 | 49 | 2.10E-03 | GSS07 - 2A □□□ 080C22 MDFKA□□ 080-22 120 |
| 719 | 43 | 1.5 | 79.722 | 1628 | 9325 | 1421 | 9325 | 1250 | 43 | 2.09E-03 | GSS07 - 2A □□□ 080C22 MDFKA□□ 080-22 120 |
| 788 | 40 | 1.5 | 86.542 | 1755 | 9325 | 1555 | 9325 | 1250 | 40 | 2.05E-03 | GSS07 - 2A □□□ 080C22 MDFKA□□ 080-22 120 |
| 881 | 35 | 1.3 | 97.708 | 1780 | 9325 | 1737 | 9325 | 1250 | 35 | 2.05E-03 | GSS07 - 2A □□□ 080C22 MDFKA□□ 080-22 120 |
| 1032 | 30 | 1.2 | 113.667 | 1875 | 9325 | 1875 | 9325 | 1250 | 30 | 2.00E-03 | GSS07 - 2A □□□ 080C22 MDFKA□□ 080-22 120 |
| 1154 | 27 | 1.1 | 128.333 | 1875 | 9325 | 1875 | 9325 | 1250 | 27 | 2.00E-03 | GSS07 - 2A □□□ 080C22 MDFKA□□ 080-22 120 |
| 1247 | 25 | 1.0 | 137.950 | 1875 | 9325 | 1875 | 9325 | 1250 | 25 | 1.98E-03 | GSS07 - 2A □□□ 080C22 MDFKA□□ 080-22 120 |
| 113 | 287 | 4.0 | 5.862 | 310 | 9325 | 228 | 9325 | 539 | 287 | 5.74E-03 | GSS07 - 2A □□□ 090C22 MDFKA□□ 090-22 60 |
| 157 | 207 | 3.7 | 8.125 | 431 | 9325 | 316 | 9325 | 685 | 207 | 4.88E-03 | GSS07 - 2A □□□ 090C22 MDFKA□□ 090-22 60 |
| 173 | 185 | 3.1 | 9.086 | 470 | 9325 | 345 | 9325 | 628 | 185 | 5.34E-03 | GSS07 - 2A □□□ 090C22 MDFKA□□ 090-22 60 |
| 194 | 168 | 3.5 | 10.000 | 531 | 9325 | 390 | 9325 | 797 | 168 | 4.51E-03 | GSS07 - 2A □□□ 090C22 MDFKA□□ 090-22 60 |
| 218 | 150 | 3.4 | 11.200 | 595 | 9325 | 437 | 9325 | 866 | 150 | 4.35E-03 | GSS07 - 2A □□□ 090C22 MDFKA□□ 090-22 60 |
| 240 | 133 | 2.9 | 12.594 | 651 | 9325 | 478 | 9325 | 799 | 133 | 4.67E-03 | GSS07 - 2A □□□ 090C22 MDFKA□□ 090-22 60 |
| 79 | 118 | 3.2 | 14.286 | 759 | 9325 | 558 | 9325 | 973 | 118 | 4.08E-03 | GSS07 - 2A □□□ 090C22 MDFKA□□ 090-22 60 |
| 295 | 108 | 2.7 | 15.500 | 801 | 9325 | 588 | 9325 | 931 | 108 | 4.38E-03 | GSS07 - 2A □□□ 090C22 MDFKA□□ 090-22 60 |
| 331 | 97 | 2.6 | 17.360 | 896 | 9325 | 658 | 9325 | 1012 | 97 | 4.24E-03 | GSS07 - 2A □□□ 090C22 MDFKA□□ 090-22 60 |
| 370 | 82 | 1.8 | 20.517 | 993 | 9325 | 729 | 9325 | 764 | 82 | 4.96E-03 | GSS07 - 2A □□□ 090C22 MDFKA□□ 090-22 60 |

Observe the notes for thermal dimensioning.

Selection tables - Helical-worm gearboxes

Forced ventilated asynchronous geared servo motors



| M ₂ [Nm] | n ₂ trans [rpm] | c | i | M ₂ max short-time M ₂ Gr on geared motor at | | | | n ₂ therm gearbox c=1 n ₁ ≤ 1400 rpm | | J _{GM} referred to motor shaft [kgm ²] | Servo helical- worm geared motor Dimensions on Page 7-47 |
|------------------------|-------------------------------|-----|--------|---|-------------|----------------------------|-------------|---|-------|---|---|
| | | | | 8 kHz | | 16 kHz | | [Nm] | [rpm] | | |
| | | | | M ₂ max [Nm] | Type EVS | M ₂ max [Nm] | Type EVS | | | | |
| 421 | 76 | 2.5 | 22.143 | 1140 | 9325 | 837 | 9325 | 1211 | 76 | 4.02E-03 | GSS07 - 2A □□□ 090C22 MDFKA□□ 090-22 60 |
| 458 | 67 | 1.7 | 25.188 | 1196 | 9325 | 901 | 9325 | 913 | 67 | 4.56E-03 | GSS07 - 2A □□□ 090C22 MDFKA□□ 090-22 60 |
| 516 | 62 | 2.3 | 27.125 | 1392 | 9325 | 1022 | 9325 | 1250 | 62 | 3.91E-03 | GSS07 - 2A □□□ 090C22 MDFKA□□ 090-22 60 |
| 562 | 54 | 1.6 | 31.000 | 1396 | 9325 | 1107 | 9325 | 1065 | 54 | 4.31E-03 | GSS07 - 2A □□□ 090C22 MDFKA□□ 090-22 60 |
| 673 | 48 | 1.8 | 35.306 | 1807 | 9325 | 1326 | 9325 | 1250 | 48 | 3.80E-03 | GSS07 - 2A □□□ 090C22 MDFKA□□ 090-22 60 |
| 704 | 43 | 1.5 | 39.200 | 1608 | 9325 | 1384 | 9325 | 1175 | 43 | 4.14E-03 | GSS07 - 2A □□□ 090C22 MDFKA□□ 090-22 60 |
| 824 | 39 | 1.5 | 43.271 | 1875 | 9325 | 1620 | 9325 | 1250 | 39 | 3.74E-03 | GSS07 - 2A □□□ 090C22 MDFKA□□ 090-22 60 |
| 897 | 34 | 1.3 | 50.000 | 1799 | 9325 | 1760 | 9325 | 1250 | 34 | 3.95E-03 | GSS07 - 2A □□□ 090C22 MDFKA□□ 090-22 60 |
| 981 | 31 | 1.3 | 54.250 | 1875 | 9325 | 1875 | 9325 | 1250 | 31 | 3.89E-03 | GSS07 - 2A □□□ 090C22 MDFKA□□ 090-22 60 |
| 1097 | 27 | 1.1 | 61.250 | 1875 | 9325 | 1875 | 9325 | 1250 | 27 | 3.87E-03 | GSS07 - 2A □□□ 090C22 MDFKA□□ 090-22 60 |
| 100 | 594 | 2.8 | 5.862 | 273 | 9326 | 240 | 9327 | 539 | 531 | 5.74E-03 | GSS07 - 2A □□□ 090C22 MDFKA□□ 090-22 120 |
| 140 | 428 | 2.5 | 8.125 | 380 | 9326 | 334 | 9327 | 685 | 383 | 4.88E-03 | GSS07 - 2A □□□ 090C22 MDFKA□□ 090-22 120 |
| 154 | 383 | 2.4 | 9.086 | 416 | 9326 | 366 | 9327 | 628 | 342 | 5.34E-03 | GSS07 - 2A □□□ 090C22 MDFKA□□ 090-22 120 |
| 173 | 348 | 2.4 | 10.000 | 469 | 9326 | 412 | 9327 | 797 | 311 | 4.51E-03 | GSS07 - 2A □□□ 090C22 MDFKA□□ 090-22 120 |
| 194 | 311 | 2.3 | 11.200 | 525 | 9326 | 462 | 9327 | 866 | 278 | 4.35E-03 | GSS07 - 2A □□□ 090C22 MDFKA□□ 090-22 120 |
| 214 | 276 | 2.1 | 12.594 | 577 | 9326 | 508 | 9327 | 799 | 247 | 4.67E-03 | GSS07 - 2A □□□ 090C22 MDFKA□□ 090-22 120 |
| 248 | 244 | 2.2 | 14.286 | 671 | 9326 | 590 | 9327 | 973 | 218 | 4.08E-03 | GSS07 - 2A □□□ 090C22 MDFKA□□ 090-22 120 |
| 264 | 225 | 1.9 | 15.500 | 711 | 9326 | 625 | 9327 | 931 | 201 | 4.38E-03 | GSS07 - 2A □□□ 090C22 MDFKA□□ 090-22 120 |
| 296 | 200 | 1.8 | 17.360 | 796 | 9326 | 700 | 9327 | 1012 | 179 | 4.24E-03 | GSS07 - 2A □□□ 090C22 MDFKA□□ 090-22 120 |
| 327 | 170 | 1.4 | 20.517 | 684 | 9326 | 684 | 9327 | 764 | 152 | 4.96E-03 | GSS07 - 2A □□□ 090C22 MDFKA□□ 090-22 120 |
| 378 | 157 | 1.7 | 22.143 | 953 | 9326 | 893 | 9327 | 1211 | 141 | 4.02E-03 | GSS07 - 2A □□□ 090C22 MDFKA□□ 090-22 120 |
| 406 | 138 | 1.2 | 25.188 | 761 | 9326 | 761 | 9327 | 913 | 124 | 4.56E-03 | GSS07 - 2A □□□ 090C22 MDFKA□□ 090-22 120 |
| 463 | 128 | 1.6 | 27.125 | 1107 | 9326 | 1093 | 9327 | 1250 | 115 | 3.91E-03 | GSS07 - 2A □□□ 090C22 MDFKA□□ 090-22 120 |
| 501 | 112 | 1.1 | 31.000 | 850 | 9326 | 850 | 9327 | 1065 | 100 | 4.31E-03 | GSS07 - 2A □□□ 090C22 MDFKA□□ 090-22 120 |
| 602 | 99 | 1.5 | 35.306 | 1344 | 9326 | 1344 | 9327 | 1250 | 88 | 3.80E-03 | GSS07 - 2A □□□ 090C22 MDFKA□□ 090-22 120 |
| 630 | 89 | 1.0 | 39.200 | 971 | 9326 | 971 | 9327 | 1175 | 79 | 4.14E-03 | GSS07 - 2A □□□ 090C22 MDFKA□□ 090-22 120 |
| 737 | 80 | 1.4 | 43.271 | 1561 | 9326 | 1561 | 9327 | 1250 | 72 | 3.74E-03 | GSS07 - 2A □□□ 090C22 MDFKA□□ 090-22 120 |
| 194 | 290 | 2.4 | 5.862 | 272 | 9325 | 328 | 9326 | 539 | 290 | 9.34E-03 | GSS07 - 2A □□□ 100C22 MDFKA□□ 100-22 60 |
| 270 | 209 | 2.2 | 8.125 | 377 | 9325 | 456 | 9326 | 685 | 209 | 8.48E-03 | GSS07 - 2A □□□ 100C22 MDFKA□□ 100-22 60 |
| 296 | 187 | 1.8 | 9.086 | 412 | 9325 | 497 | 9326 | 628 | 187 | 8.94E-03 | GSS07 - 2A □□□ 100C22 MDFKA□□ 100-22 60 |
| 333 | 170 | 2.1 | 10.000 | 465 | 9325 | 562 | 9326 | 797 | 170 | 8.11E-03 | GSS07 - 2A □□□ 100C22 MDFKA□□ 100-22 60 |
| 373 | 152 | 2.0 | 11.200 | 521 | 9325 | 629 | 9326 | 866 | 152 | 7.95E-03 | GSS07 - 2A □□□ 100C22 MDFKA□□ 100-22 60 |
| 410 | 135 | 1.7 | 12.594 | 570 | 9325 | 689 | 9326 | 799 | 135 | 8.27E-03 | GSS07 - 2A □□□ 100C22 MDFKA□□ 100-22 60 |
| 477 | 119 | 1.9 | 14.286 | 665 | 9325 | 803 | 9326 | 1036 | 119 | 7.68E-03 | GSS07 - 2A □□□ 100C22 MDFKA□□ 100-22 60 |

Observe the notes for thermal dimensioning.

Selection tables - Helical-worm gearboxes

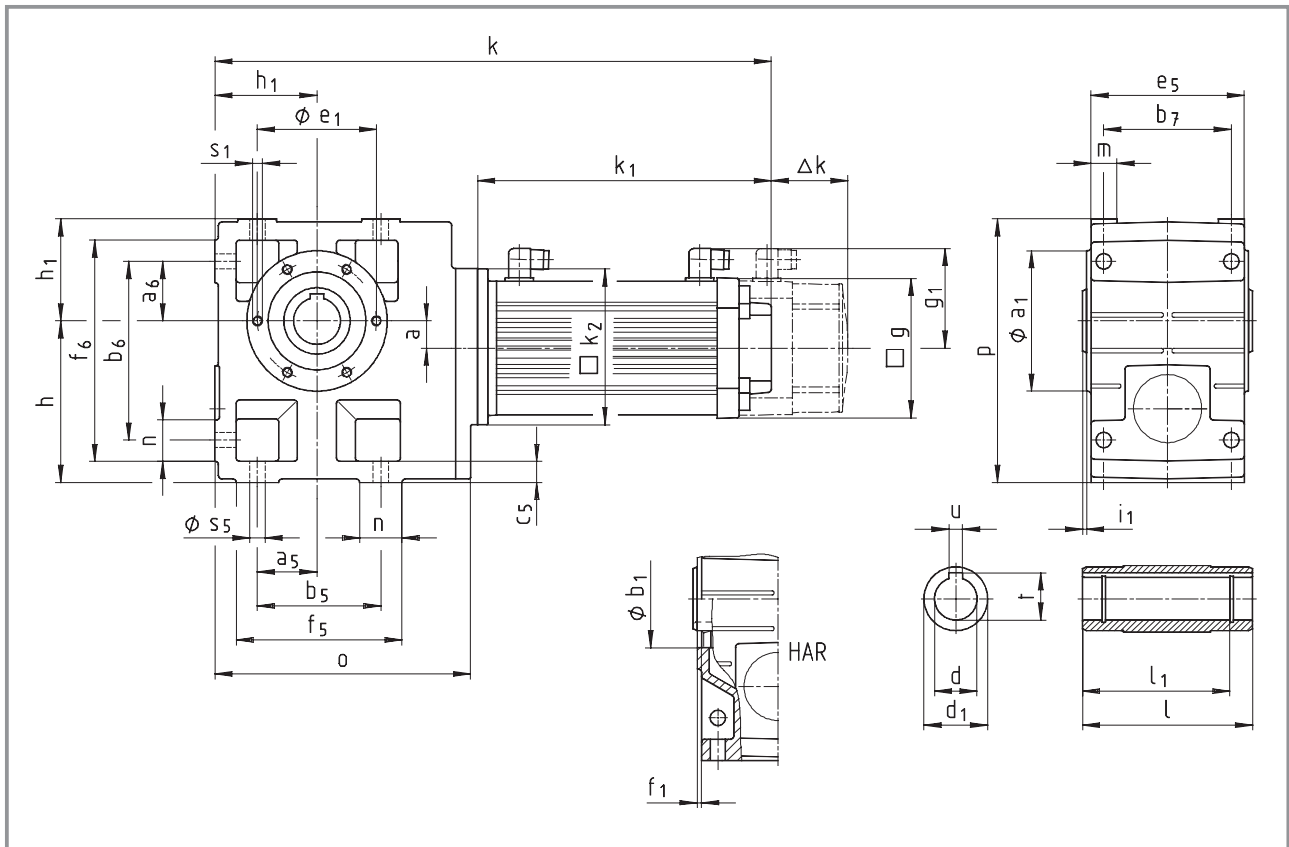
Forced ventilated asynchronous geared servo motors

| M ₂ [Nm] | n ₂ trans [rpm] | c | i | M ₂ max short-time M ₂ Gr on geared motor at | | | | n ₂ therm gearbox c=1 n ₁ ≤ 1400 rpm | | J _{GM} referred to motor shaft [kgm ²] | Servo helical- worm geared motor Dimensions on Page 7-47 |
|------------------------|-------------------------------|------------|----------------|---|-------------|----------------------------|-------------|---|-----------|---|---|
| | | | | 8 kHz | | 16 kHz | | [Nm] | [rpm] | | |
| | | | | M ₂ max [Nm] | Type EVS | M ₂ max [Nm] | Type EVS | | | | |
| 505 | 110 | 1.6 | 15.500 | 701 | 9325 | 847 | 9326 | 931 | 110 | 7.98E-03 | GSS07 - 2A □□□ 100C22 MDFKA□□ 100-22 60 |
| 565 | 98 | 1.6 | 17.360 | 785 | 9325 | 948 | 9326 | 1012 | 98 | 7.84E-03 | GSS07 - 2A □□□ 100C22 MDFKA□□ 100-22 60 |
| 629 | 83 | 1.1 | 20.517 | 869 | 9325 | 1004 | 9326 | 764 | 83 | 8.56E-03 | GSS07 - 2A □□□ 100C22 MDFKA□□ 100-22 60 |
| 720 | 77 | 1.5 | 22.143 | 998 | 9325 | 1206 | 9326 | 1211 | 77 | 7.62E-03 | GSS07 - 2A □□□ 100C22 MDFKA□□ 100-22 60 |
| 779 | 67 | 1.0 | 25.188 | 1075 | 9325 | 1196 | 9326 | 913 | 67 | 8.16E-03 | GSS07 - 2A □□□ 100C22 MDFKA□□ 100-22 60 |
| 880 | 63 | 1.4 | 27.125 | 1220 | 9325 | 1473 | 9326 | 1250 | 63 | 7.51E-03 | GSS07 - 2A □□□ 100C22 MDFKA□□ 100-22 60 |
| 193 | 599 | 1.5 | 5.862 | 364 | 9327 | 345 | 9328 | 539 | 418 | 9.34E-03 | GSS07 - 2A □□□ 100C22 MDFKA□□ 100-22 120 |
| 269 | 432 | 1.3 | 8.125 | 507 | 9327 | 480 | 9328 | 685 | 301 | 8.48E-03 | GSS07 - 2A □□□ 100C22 MDFKA□□ 100-22 120 |
| 295 | 386 | 1.3 | 9.086 | 555 | 9327 | 525 | 9328 | 628 | 269 | 8.94E-03 | GSS07 - 2A □□□ 100C22 MDFKA□□ 100-22 120 |
| 332 | 351 | 1.3 | 10.000 | 625 | 9327 | 591 | 9328 | 797 | 245 | 8.11E-03 | GSS07 - 2A □□□ 100C22 MDFKA□□ 100-22 120 |
| 372 | 313 | 1.2 | 11.200 | 684 | 9327 | 663 | 9328 | 866 | 219 | 7.95E-03 | GSS07 - 2A □□□ 100C22 MDFKA□□ 100-22 120 |
| 410 | 279 | 1.1 | 12.594 | 668 | 9327 | 668 | 9328 | 799 | 194 | 8.27E-03 | GSS07 - 2A □□□ 100C22 MDFKA□□ 100-22 120 |
| 476 | 246 | 1.1 | 14.286 | 818 | 9327 | 818 | 9328 | 1036 | 171 | 7.68E-03 | GSS07 - 2A □□□ 100C22 MDFKA□□ 100-22 120 |
| 332 | 292 | 1.4 | 5.862 | 565 | 9326 | 708 | 9328 | 539 | 292 | 2.01E-02 | GSS07 - 2A □□□ 112C22 MDFKA□□ 112-22 60 |
| 461 | 210 | 1.3 | 8.125 | 784 | 9326 | 899 | 9328 | 685 | 210 | 1.93E-02 | GSS07 - 2A □□□ 112C22 MDFKA□□ 112-22 60 |
| 504 | 188 | 1.1 | 9.086 | 824 | 9326 | 824 | 9328 | 628 | 188 | 1.97E-02 | GSS07 - 2A □□□ 112C22 MDFKA□□ 112-22 60 |
| 568 | 171 | 1.2 | 10.000 | 966 | 9326 | 1047 | 9328 | 797 | 171 | 1.89E-02 | GSS07 - 2A □□□ 112C22 MDFKA□□ 112-22 60 |
| 637 | 153 | 1.2 | 11.200 | 1083 | 9326 | 1137 | 9328 | 866 | 153 | 1.87E-02 | GSS07 - 2A □□□ 112C22 MDFKA□□ 112-22 60 |
| 632 | 27 | 2.0 | 126.531 | 1320 | 9324 | 1875 | 9325 | 1250 | 27 | 9.16E-04 | GSS07 - 3A □□□ 071C22 MDFKA□□ 071-22 120 |
| 708 | 24 | 1.7 | 142.857 | 1475 | 9324 | 1875 | 9325 | 1250 | 24 | 9.12E-04 | GSS07 - 3A □□□ 071C22 MDFKA□□ 071-22 120 |
| 772 | 22 | 1.6 | 155.000 | 1606 | 9324 | 1875 | 9325 | 1250 | 22 | 9.04E-04 | GSS07 - 3A □□□ 071C22 MDFKA□□ 071-22 120 |
| 866 | 19 | 1.4 | 175.000 | 1796 | 9324 | 1875 | 9325 | 1250 | 19 | 9.02E-04 | GSS07 - 3A □□□ 071C22 MDFKA□□ 071-22 120 |
| 999 | 17 | 1.2 | 201.746 | 1875 | 9324 | 1875 | 9325 | 1250 | 17 | 8.67E-04 | GSS07 - 3A □□□ 071C22 MDFKA□□ 071-22 120 |
| 1119 | 15 | 1.1 | 227.778 | 1875 | 9324 | 1875 | 9325 | 1250 | 15 | 8.66E-04 | GSS07 - 3A □□□ 071C22 MDFKA□□ 071-22 120 |
| 1218 | 14 | 1.0 | 247.139 | 1875 | 9324 | 1875 | 9325 | 1250 | 14 | 8.63E-04 | GSS07 - 3A □□□ 071C22 MDFKA□□ 071-22 120 |
| 1186 | 13 | 1.1 | 126.531 | 1875 | 9324 | 1875 | 9324 | 1250 | 13 | 2.01E-03 | GSS07 - 3A □□□ 080C22 MDFKA□□ 080-22 60 |
| 1095 | 27 | 1.1 | 126.531 | 1875 | 9325 | 1875 | 9325 | 1250 | 27 | 2.01E-03 | GSS07 - 3A □□□ 080C22 MDFKA□□ 080-22 120 |
| 1225 | 24 | 1.0 | 142.857 | 1875 | 9325 | 1875 | 9325 | 1250 | 24 | 2.00E-03 | GSS07 - 3A □□□ 080C22 MDFKA□□ 080-22 120 |

Observe the notes for thermal dimensioning.

Dimensions - Helical-worm gearboxes

Geared servo motors with resolver



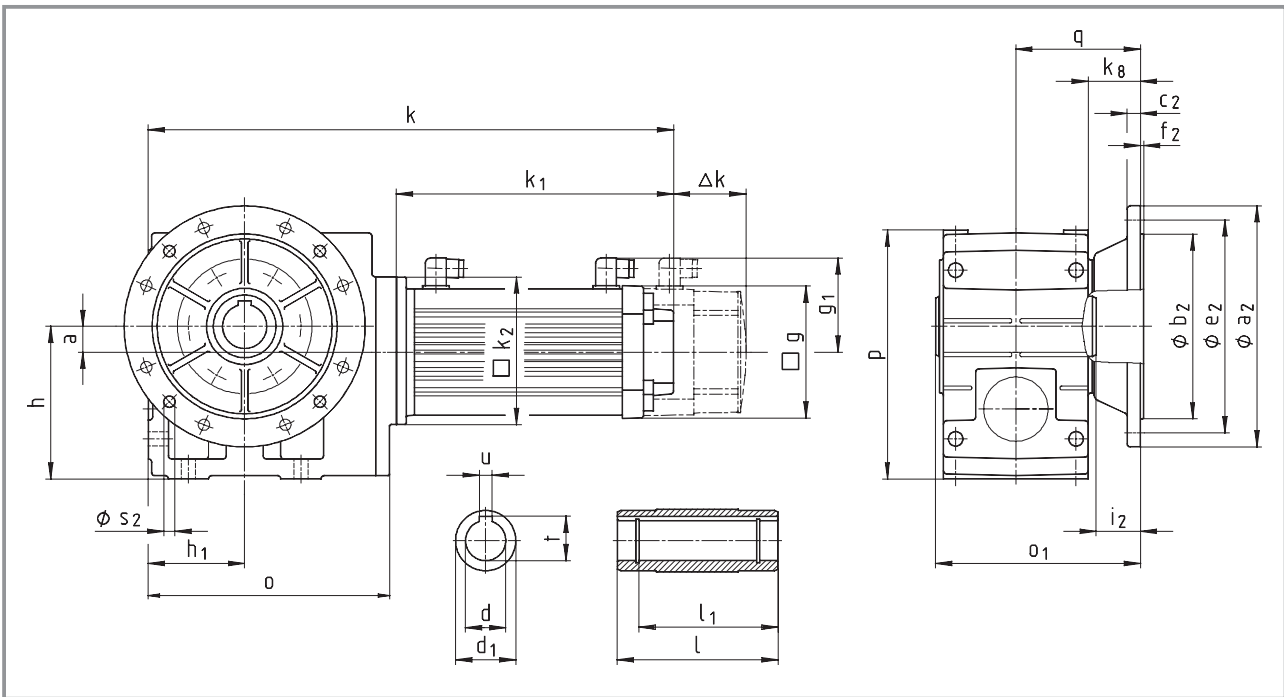
| Geared servo motor | | S (synchronous servo motors) | | | | | A (asynchronous servo motors) | | | | | | | | | | |
|------------------------------|-------------------------|------------------------------|-----|-----|----------------|-----|-------------------------------|-----|-----|-----|-----|-----|-----|-----|-----|-----|-----|
| GSS□□ - 2 ^A S HOR | | 056 | | 071 | | | 056 | 071 | 080 | 090 | 100 | 112 | | | | | |
| | | C23 | C33 | C03 | C13 | C33 | C22 | C22 | C22 | C22 | C22 | C22 | | | | | |
| Motor | g | 102 | 102 | 131 | 131 | 131 | 102 | 131 | 142 | 165 | 192 | 214 | | | | | |
| | g ₁ | 90 | 90 | 102 | 102 | 102 | 90 | 102 | 109 | 118 | 136 | 147 | | | | | |
| | k ₂ | 145 | 145 | 145 | 145 | 145 | 145 | 145 | 180 | 180 | 222 | 265 | | | | | |
| | k ₁ | naturally ventilated | 207 | 242 | 215 | 250 | 285 | 258 | 267 | 307 | 346 | 408 | 479 | | | | |
| | Δk^{**} | forced ventilated+brake | 27 | 27 | 35 | 35 | 35 | 25 | 35 | 33 | 35 | 38 | 42 | | | | |
| | forced ventilated | - | - | 68 | 68 | 68 | - | 68 | 62 | 89 | 97 | 96 | | | | | |
| | forced ventilated+brake | - | - | 103 | 103 | 103 | - | 103 | 95 | 124 | 135 | 138 | | | | | |
| Gearbox size | Gearbox | | | | | | Overall length | | | | | | | | | | |
| | o | l* | p* | h | h ₁ | a | k | | | | | | | | | | |
| 04 | 181 | 115 | 171 | 100 | 71 | 20 | 402 | 437 | 410 | 445 | 480 | 453 | 462 | | | | |
| 05 | 212 | 140 | 205 | 125 | 80 | 23 | 423 | 458 | 432 | 467 | 502 | 475 | 483 | 533 | | | |
| 06 | 255 | 160 | 250 | 150 | 100 | 26 | 463 | 498 | 472 | 507 | 542 | 515 | 523 | 573 | 612 | | |
| 07 | 305 | 200 | 310 | 190 | 120 | 33 | 506 | 541 | 515 | 550 | 585 | 558 | 566 | 616 | 655 | 724 | 802 |

| Gearbox size | Hollow shaft | | | | | Pitch circle | | | | | Foot | | | | | | | | | | | | | |
|--------------|--------------|-----|----------------|----------------|------------|----------------|-------------------|----------------|----------------|----------------|----------------------|----------------|----------------|----------------|----------------|----------------|----------------|----------------|----------------|----------------|-----|----|----------------|----|
| | d H7 | l | d ₁ | l ₁ | u JS9 +0.2 | a ₁ | b ₁ H7 | e ₁ | f ₁ | i ₁ | s ₁ 6x60° | a ₅ | a ₆ | b ₅ | b ₆ | b ₇ | c ₅ | e ₅ | f ₅ | f ₆ | n | m | s ₅ | |
| 04 | 25 30 | 115 | 45 | 100 | 8 8 | 28.3 33.3 | 105 | 75 | 90 | 3 | 2.5 | M6x12 | 45 | 45 | 90 | 119 | 85 | 14 | 100 | 112 | 141 | 22 | 20 | 9 |
| 05 | 30 35 | 140 | 50 | 124 | 8 10 | 33.3 38.3 | 118 | 80 | 100 | 4 | 4 | M8x15 | 47.5 | 47.5 | 95 | 140 | 105 | 17 | 127 | 124 | 169 | 29 | 21 | 11 |
| 06 | 40 45 | 160 | 65 | 140 | 12 14 | 43.3 48.8 | 140 | 100 | 120 | 4 | 5 | M10x16 | 60 | 60 | 120 | 170 | 120 | 20 | 145 | 156 | 206 | 36 | 23 | 14 |
| 07 | 50 55 | 200 | 75 | 175 | 14 16 | 53.8 59.3 | 165 | 115 | 140 | 5 | 5 | M12x18 | 70 | 70 | 140 | 210 | 150 | 25 | 180 | 185 | 255 | 45 | 28 | 18 |

Dimensions in [mm] * Observe dimension k₂.
 ** See page 8-34 for more built-on accessories for motors

Dimensions - Helical-worm gearboxes

Geared servo motors with resolver



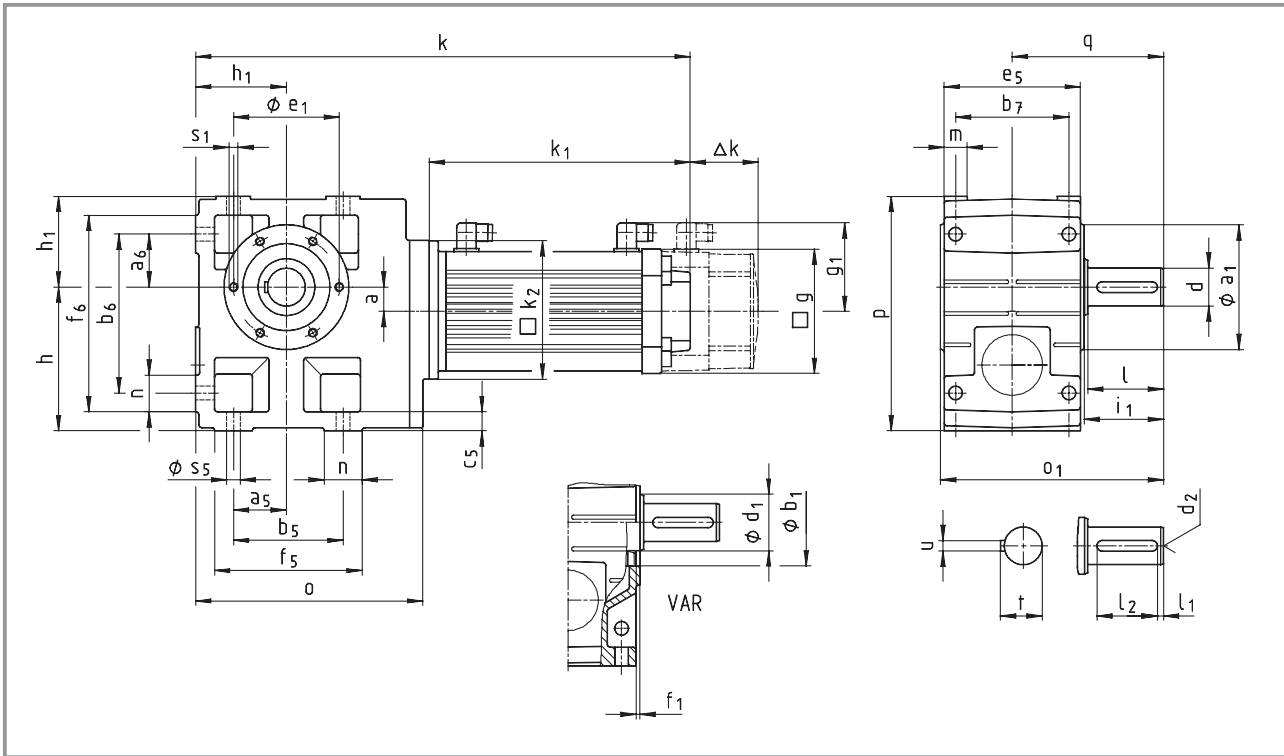
| Geared servo motor GSS□□ - 2 AS HAK | | S (synchronous servo motors) | | | | | A (asynchronous servo motors) | | | | | | | | | | | | |
|---|---|------------------------------|-------|-----|-------|-----|-------------------------------|------|----------------|-----|-----|-----|-----|-----|-----|-----|-----|-----|-----|
| | | 056 | | 071 | | | 056 | 071 | 080 | 090 | 100 | 112 | | | | | | | |
| | | C23 | C33 | C03 | C13 | C33 | C22 | C22 | C22 | C22 | C22 | C22 | | | | | | | |
| Motor | g | 102 | 102 | 131 | 131 | 131 | 102 | 131 | 142 | 165 | 192 | 214 | | | | | | | |
| | g_1 | 90 | 90 | 102 | 102 | 102 | 90 | 102 | 109 | 118 | 136 | 147 | | | | | | | |
| | k_2 | 145 | 145 | 145 | 145 | 145 | 145 | 145 | 180 | 180 | 222 | 265 | | | | | | | |
| | k_1 naturally ventilated | 207 | 242 | 215 | 250 | 285 | 258 | 267 | 307 | 346 | 408 | 479 | | | | | | | |
| | Δk^{**} forced ventilated+brake | 27 | 27 | 35 | 35 | 35 | 25 | 35 | 33 | 35 | 38 | 42 | | | | | | | |
| | forced ventilated | - | - | 68 | 68 | 68 | - | 68 | 62 | 89 | 97 | 96 | | | | | | | |
| | forced ventilated+brake | - | - | 103 | 103 | 103 | - | 103 | 95 | 124 | 135 | 138 | | | | | | | |
| Gearbox size | Gearbox | | | | | | | | Overall length | | | | | | | | | | |
| | o | o_1^* | p^* | h | h_1 | a | k_8 | q | k | | | | | | | | | | |
| 04 | 181 | 148 | 171 | 100 | 71 | 20 | 38 | 90.5 | 402 | 437 | 410 | 445 | 480 | 453 | 462 | | | | |
| 05 | 212 | 173 | 205 | 125 | 80 | 23 | 40 | 103 | 423 | 458 | 432 | 467 | 502 | 475 | 483 | 533 | | | |
| 06 | 255 | 201 | 250 | 150 | 100 | 26 | 49 | 121 | 463 | 498 | 472 | 507 | 542 | 515 | 523 | 573 | 612 | | |
| 07 | 305 | 255 | 310 | 190 | 120 | 33 | 65 | 155 | 506 | 541 | 515 | 550 | 585 | 558 | 566 | 616 | 655 | 724 | 802 |

| Gearbox size | Hollow shaft | | Output flange | | | | | | | | | | |
|--------------|--------------|-----|---------------|-------|------------|--------------|------------|-------------|----------|------------|----------|----------|------------------|
| | d H7 | l | d_1 | l_1 | u JS9 | t +0.2 | a_2 | b_2 j7 | c_2 | e_2 | f_2 | i_2 | s_2 |
| 04 | 25 30 | 115 | 45 | 100 | 8 8 | 28.3 33.3 | 160 | 110 | 10 | 130 | 3.5 | 33 | 4 x 9 |
| 05 | 30 35 | 140 | 50 | 124 | 8 10 | 33.3 38.3 | 200 | 130 | 12 | 165 | 3.5 | 33 | 4 x 11 |
| 06 | 40 45 | 160 | 65 | 140 | 12 14 | 43.3 48.8 | 200 250 | 130 180 | 12 15 | 165 215 | 3.5 4 | 42 41 | 4 x 11 4 x 14 |
| 07 | 50 55 | 200 | 75 | 175 | 14 16 | 53.8 59.3 | 250 300 | 180 230 | 15 17 | 215 265 | 4 | 55 | 4 x 14 |

Dimensions in [mm] * Observe dimension k_2 .
** See page 8-34 for more built-on accessories for motors

Dimensions - Helical-worm gearboxes

Geared servo motors with resolver



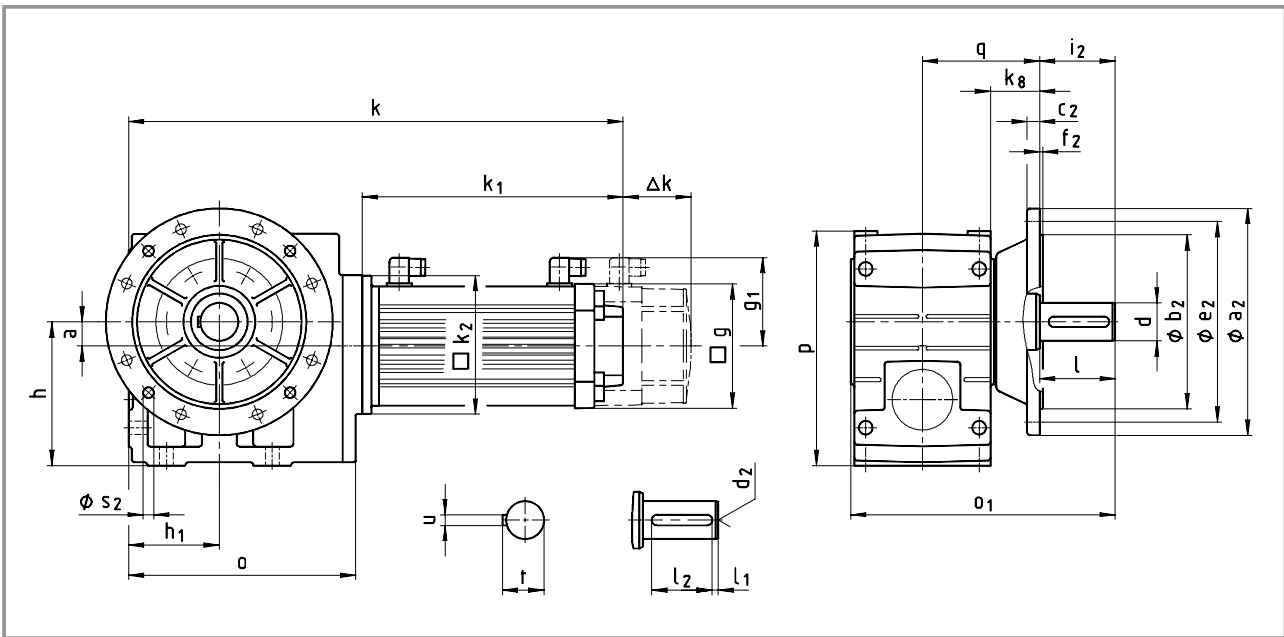
| Geared servo motor | | S (synchronous servo motors) | | | | | A (asynchronous servo motors) | | | | | | | | | | | |
|------------------------------|-------------------------------------|------------------------------|-----|-----|----------------|-----|-------------------------------|----------------|-----|-----|-----|-----|-----|-----|-----|-----|-----|-----|
| GSS□□ - 2 ^A S V□□ | | 056 | | 071 | | | 056 | 071 | 080 | 090 | 100 | 112 | | | | | | |
| | | C23 | C33 | C03 | C13 | C33 | C22 | C22 | C22 | C22 | C22 | C22 | | | | | | |
| Motor | g | 102 | 102 | 131 | 131 | 131 | 102 | 131 | 142 | 165 | 192 | 214 | | | | | | |
| | g ₁ | 90 | 90 | 102 | 102 | 102 | 90 | 102 | 109 | 118 | 136 | 147 | | | | | | |
| | k ₂ | 145 | 145 | 145 | 145 | 145 | 145 | 145 | 180 | 180 | 222 | 265 | | | | | | |
| | k ₁ naturally ventilated | 207 | 242 | 215 | 250 | 285 | 258 | 267 | 307 | 346 | 408 | 479 | | | | | | |
| | Δk** forced ventilated+brake | 27 | 27 | 35 | 35 | 35 | 25 | 35 | 33 | 35 | 38 | 42 | | | | | | |
| | forced ventilated | - | - | 68 | 68 | 68 | - | 68 | 62 | 89 | 97 | 96 | | | | | | |
| | forced ventilated+brake | - | - | 103 | 103 | 103 | - | 103 | 95 | 124 | 135 | 138 | | | | | | |
| Gearbox size | Gearbox | | | | | | | Overall length | | | | | | | | | | |
| | o | o ₁ * | p* | h | h ₁ | a | q | k | | | | | | | | | | |
| 04 | 181 | 163 | 171 | 100 | 71 | 20 | 107.5 | 402 | 437 | 410 | 445 | 480 | 453 | 462 | | | | |
| 05 | 212 | 197 | 205 | 125 | 80 | 23 | 130 | 423 | 458 | 432 | 467 | 502 | 475 | 483 | 533 | | | |
| 06 | 255 | 236 | 250 | 150 | 100 | 26 | 160 | 463 | 498 | 472 | 507 | 542 | 515 | 523 | 573 | 612 | | |
| 07 | 305 | 296 | 310 | 190 | 120 | 33 | 200 | 506 | 541 | 515 | 550 | 585 | 558 | 566 | 616 | 655 | 724 | 802 |

| Gearbox size | Solid shaft | | | | | | | | Pitch circle | | | | | Foot | | | | | | | | | | | | |
|--------------|-------------|-----|----------------|----------------|----------------|----------------|----|------|----------------|-------------------|----------------|----------------|----------------|------------------------|----------------|----------------|----------------|----------------|----------------|----------------|----------------|----------------|----------------|----|----|----------------|
| | d | l | d ₁ | l ₁ | l ₂ | d ₂ | u | t | a ₁ | b ₁ H7 | e ₁ | f ₁ | i ₁ | s ₁ 6 x 60° | a ₅ | a ₆ | b ₅ | b ₆ | b ₇ | c ₅ | e ₅ | f ₅ | f ₆ | n | m | s ₅ |
| 04 | 25 | 50 | 45 | 4 | 40 | M10 | 8 | 28 | 105 | 75 | 90 | 3 | 52.5 | M6x12 | 45 | 45 | 90 | 119 | 85 | 14 | 100 | 112 | 141 | 22 | 20 | 9 |
| 05 | 30 | 60 | 50 | 6 | 45 | M10 | 8 | 33 | 118 | 80 | 100 | 4 | 64 | M8x15 | 47.5 | 47.5 | 95 | 140 | 105 | 17 | 127 | 124 | 169 | 29 | 21 | 11 |
| 06 | 40 | 80 | 65 | 7 | 63 | M16 | 12 | 43 | 140 | 100 | 120 | 4 | 85 | M10x16 | 60 | 60 | 120 | 170 | 120 | 20 | 145 | 156 | 206 | 36 | 23 | 14 |
| 07 | 50 | 100 | 75 | 8 | 80 | M16 | 14 | 53.5 | 165 | 115 | 140 | 5 | 105 | M12x18 | 70 | 70 | 140 | 210 | 150 | 25 | 180 | 185 | 255 | 45 | 28 | 18 |

Dimensions in [mm] d ≤ 50 mm: k6
d > 50 mm: m6 * Observe dimension k₂
** See page 8-34 for more built-on accessories for motors

Dimensions - Helical-worm gearboxes

Geared servo motors with resolver



| Geared servo motor | | S (synchronous servo motors) | | | | | A (asynchronous servo motors) | | | | | | | | | | | | |
|------------------------------|----------------------------|------------------------------|-------|-----|-------|-----|-------------------------------|------|----------------|-----|-----|-----|-----|-----|-----|-----|-----|-----|-----|
| GSS□□ - 2 ^A S VAK | | 056 | | 071 | | | 056 | 071 | 080 | 090 | 100 | 112 | | | | | | | |
| | | C23 | C33 | C03 | C13 | C33 | C22 | C22 | C22 | C22 | C22 | C22 | | | | | | | |
| Motor | g | 102 | 102 | 131 | 131 | 131 | 102 | 131 | 142 | 165 | 192 | 214 | | | | | | | |
| | g_1 | 90 | 90 | 102 | 102 | 102 | 90 | 102 | 109 | 118 | 136 | 147 | | | | | | | |
| | k_2 | 145 | 145 | 145 | 145 | 145 | 145 | 145 | 180 | 180 | 222 | 265 | | | | | | | |
| | k_1 naturally ventilated | 207 | 242 | 215 | 250 | 285 | 258 | 267 | 307 | 346 | 408 | 479 | | | | | | | |
| Δk^{**} | forced ventilated+brake | 27 | 27 | 35 | 35 | 35 | 25 | 35 | 33 | 35 | 38 | 42 | | | | | | | |
| | forced ventilated | - | - | 68 | 68 | 68 | - | 68 | 62 | 89 | 97 | 96 | | | | | | | |
| | forced ventilated+brake | - | - | 103 | 103 | 103 | - | 103 | 95 | 124 | 135 | 138 | | | | | | | |
| Gearbox size | Gearbox | | | | | | | | Overall length | | | | | | | | | | |
| | o | o_1^* | p^* | h | h_1 | a | k_8 | q | k | | | | | | | | | | |
| 04 | 181 | 196 | 171 | 100 | 71 | 20 | 38 | 90.5 | 402 | 437 | 410 | 445 | 480 | 453 | 462 | | | | |
| 05 | 212 | 230 | 205 | 125 | 80 | 23 | 40 | 103 | 423 | 458 | 432 | 467 | 502 | 475 | 483 | 533 | | | |
| 06 | 255 | 277 | 250 | 150 | 100 | 26 | 49 | 121 | 463 | 498 | 472 | 507 | 542 | 515 | 523 | 573 | 612 | | |
| 07 | 305 | 351 | 310 | 190 | 120 | 33 | 65 | 155 | 506 | 541 | 515 | 550 | 585 | 558 | 566 | 616 | 655 | 724 | 802 |

| Gearbox size | Solid shaft | | | | | | | | Output flange | | | | | | |
|--------------|-------------|-----|-------|-------|-------|-----|------|-------|---------------|-------|-------|-------|-------|--------|--|
| | d | l | l_1 | l_2 | d_2 | u | t | a_2 | b_2 j7 | c_2 | e_2 | f_2 | i_2 | s_2 | |
| 04 | 25 | 50 | 4 | 40 | M10 | 8 | 28 | 160 | 110 | 10 | 130 | 3.5 | 50 | 4 x 9 | |
| 05 | 30 | 60 | 6 | 45 | M10 | 8 | 33 | 200 | 130 | 12 | 165 | 3.5 | 60 | 4 x 11 | |
| 06 | 40 | 80 | 7 | 63 | M16 | 12 | 43 | 250 | 180 | 15 | 215 | 4 | 80 | 4 x 14 | |
| 07 | 50 | 100 | 8 | 80 | M16 | 14 | 53.5 | 250 | 180 | 15 | 215 | 4 | 100 | 4 x 14 | |
| | | | | | | | | 300 | 230 | 17 | 265 | | | | |

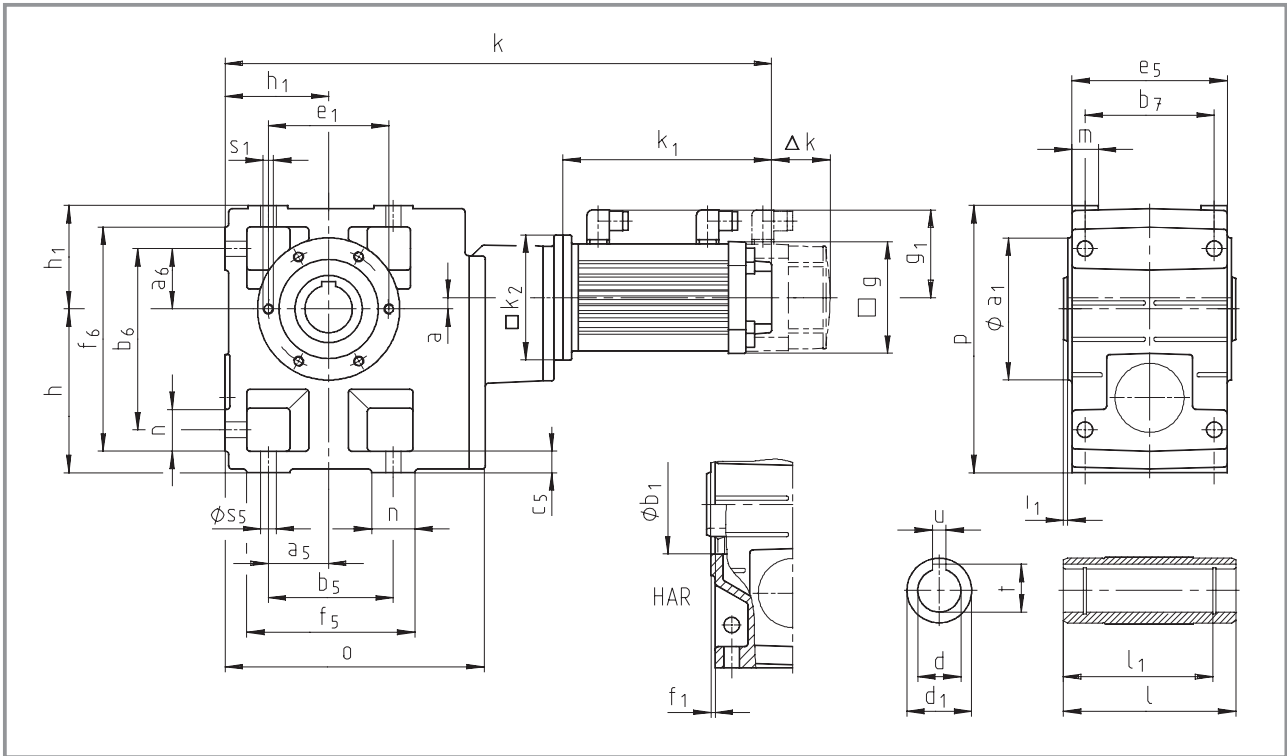
Dimensions in [mm] $d \leq 50$ mm: k6
 $d > 50$ mm: m6

* Observe dimension k_2

** See page 8-34 for more built-on accessories for motors

Dimensions - Helical-worm gearboxes

Geared servo motors with resolver



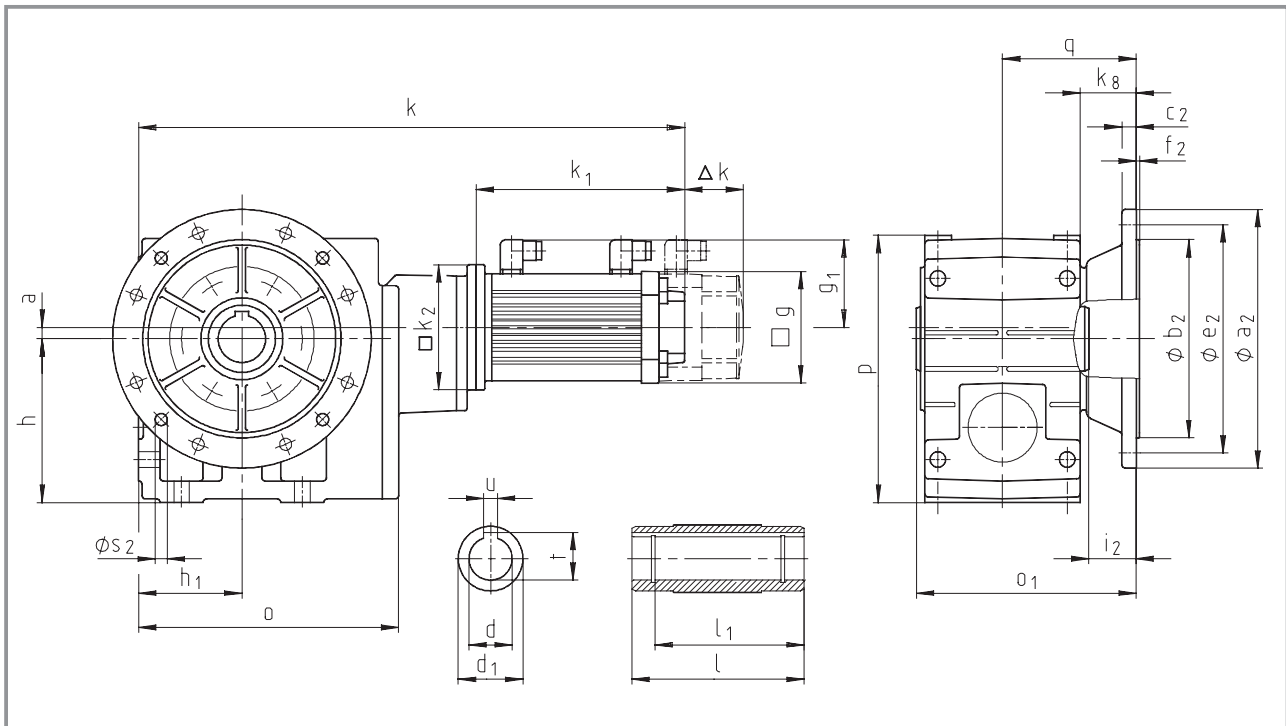
| Geared servo motor | | S (synchronous servo motors) | | | | | A (asynchronous servo motors) | | | | | | | |
|--------------------|--|------------------------------|-----|-----|----------------|-----|-------------------------------|-----|-----|-----|-----|-----|-----|-----|
| GSS□□ - 3 A S HAR | | 056 | | 071 | | | 056 | 071 | 080 | | | | | |
| | | C23 | C33 | C03 | C13 | C33 | C22 | C22 | C22 | | | | | |
| Motor | g | 102 | 102 | 131 | 131 | 131 | 102 | 131 | 142 | | | | | |
| | g ₁ | 90 | 90 | 102 | 102 | 102 | 90 | 102 | 109 | | | | | |
| | k ₂ | 145 | 145 | 145 | 145 | 145 | 145 | 145 | 180 | | | | | |
| | k ₁ naturally ventilated | 207 | 242 | 215 | 250 | 285 | 258 | 267 | 307 | | | | | |
| | Δk^{**} naturally ventilated+brake | 27 | 27 | 35 | 35 | 35 | 25 | 35 | 33 | | | | | |
| | forced ventilated | - | - | 68 | 68 | 68 | - | 68 | 62 | | | | | |
| | forced ventilated+brake | - | - | 103 | 103 | 103 | - | 103 | 95 | | | | | |
| Gearbox size | Gearbox | | | | | | Overall length | | | | | | | |
| | o | l* | p* | h | h ₁ | a | k | | | | | | | |
| 05 | 209 | 140 | 205 | 125 | 80 | 13 | 500 | 535 | 508 | 543 | 578 | 551 | 560 | |
| 06 | 252 | 160 | 250 | 150 | 100 | 10 | 557 | 592 | 565 | 600 | 635 | 608 | 617 | |
| 07 | 299 | 200 | 310 | 190 | 120 | 12 | 611 | 646 | 619 | 654 | 689 | 662 | 671 | 721 |

| Gearbox size | Hollow shaft | | | | | | Pitch circle | | | | | | Foot | | | | | | | | | | | |
|--------------|--------------|-----|----------------|----------------|-------|--------|----------------|-------------------|----------------|----------------|----------------|------------------------|----------------|----------------|----------------|----------------|----------------|----------------|----------------|----------------|----------------|----|----|----------------|
| | d H7 | l | d ₁ | l ₁ | u JS9 | t +0.2 | a ₁ | b ₁ H7 | e ₁ | f ₁ | i ₁ | s ₁ 6 x 60° | a ₅ | a ₆ | b ₅ | b ₆ | b ₇ | c ₅ | e ₅ | f ₅ | f ₆ | n | m | s ₅ |
| 05 | 30 | 140 | 50 | 124 | 8 | 33.3 | 118 | 80 | 100 | 4 | 4 | M8x15 | 47.5 | 47.5 | 95 | 140 | 105 | 17 | 127 | 124 | 169 | 29 | 21 | 11 |
| | 10 | | | | 38.3 | | | | | | | | | | | | | | | | | | | |
| 06 | 40 | 160 | 65 | 140 | 12 | 43.3 | 140 | 100 | 120 | 4 | 5 | M10x16 | 60 | 60 | 120 | 170 | 120 | 20 | 145 | 156 | 206 | 36 | 23 | 14 |
| | 14 | | | | 48.8 | | | | | | | | | | | | | | | | | | | |
| 07 | 50 | 200 | 75 | 175 | 14 | 53.8 | 165 | 115 | 140 | 5 | 5 | M12x18 | 70 | 70 | 140 | 210 | 150 | 25 | 180 | 185 | 255 | 45 | 28 | 18 |
| | 16 | | | | 59.3 | | | | | | | | | | | | | | | | | | | |

Dimensions in [mm] * Observe dimension k₂.
 ** See page 8-34 for more built-on accessories for motors

Dimensions - Helical-worm gearboxes

Geared servo motors with resolver



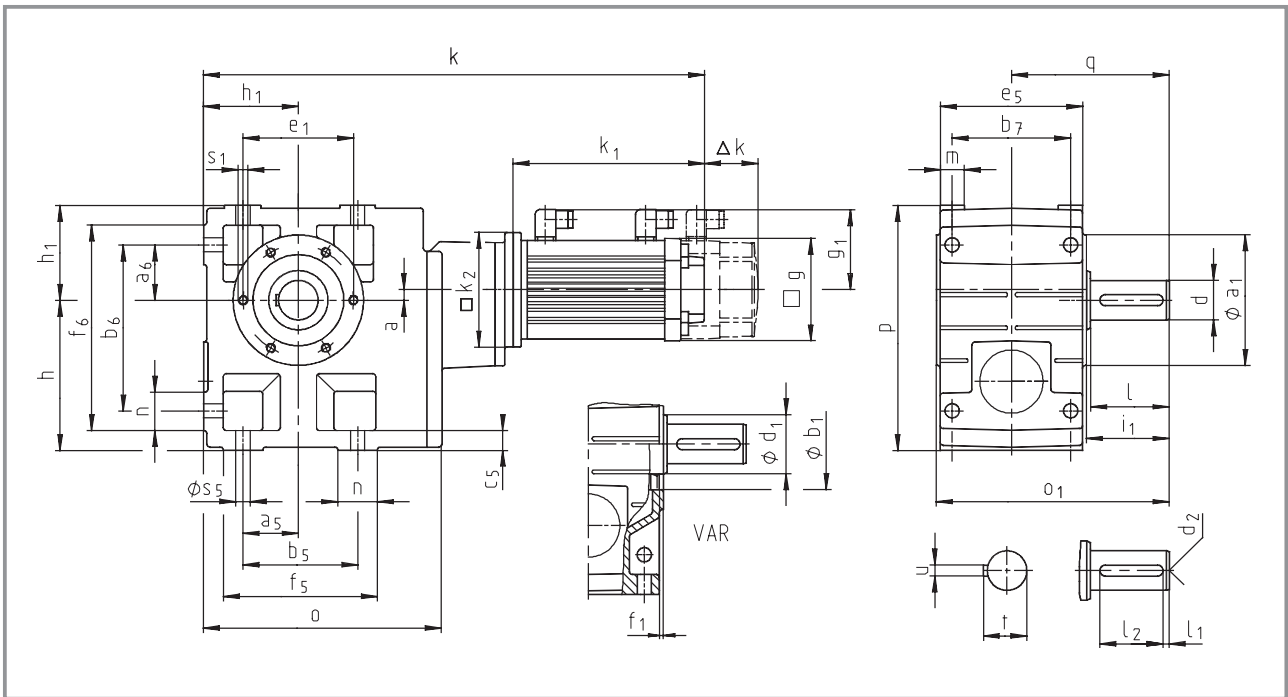
| Geared servo motor | | S (synchronous servo motors) | | | | | A (asynchronous servo motors) | | | | | | | | | | |
|--------------------|--|------------------------------|-------|-----|-------|-----|-------------------------------|-----|----------------|-----|-----|-----|-----|-----|-----|-----|--|
| GSS□□ - 3 A S HAK | | 056 | | 071 | | | 056 | 071 | 080 | | | | | | | | |
| | | C23 | C33 | C03 | C13 | C33 | C22 | C22 | C22 | | | | | | | | |
| Motor | g | 102 | 102 | 131 | 131 | 131 | 102 | 131 | 142 | | | | | | | | |
| | g_1 | 90 | 90 | 102 | 102 | 102 | 90 | 102 | 109 | | | | | | | | |
| | k_2 | 145 | 145 | 145 | 145 | 145 | 145 | 145 | 180 | | | | | | | | |
| | k_1 naturally ventilated | 207 | 242 | 215 | 250 | 285 | 258 | 267 | 307 | | | | | | | | |
| | Δk^{**} naturally ventilated+brake | 27 | 27 | 35 | 35 | 35 | 25 | 35 | 33 | | | | | | | | |
| | forced ventilated | - | - | 68 | 68 | 68 | - | 68 | 62 | | | | | | | | |
| | forced ventilated+brake | - | - | 103 | 103 | 103 | - | 103 | 95 | | | | | | | | |
| Gearbox size | Gearbox | | | | | | | | Overall length | | | | | | | | |
| | o | o_1^* | p^* | h | h_1 | a | k_8 | q | k | | | | | | | | |
| 05 | 209 | 173 | 205 | 125 | 80 | 13 | 40 | 103 | 500 | 535 | 508 | 543 | 578 | 551 | 560 | | |
| 06 | 252 | 201 | 250 | 150 | 100 | 10 | 49 | 121 | 557 | 592 | 565 | 600 | 635 | 608 | 617 | | |
| 07 | 299 | 255 | 310 | 190 | 120 | 12 | 65 | 155 | 611 | 646 | 619 | 654 | 689 | 662 | 671 | 721 | |

| Gearbox size | Hollow shaft | | Hollow shaft | | | | | Output flange | | | | | | |
|--------------|--------------|-----|--------------|-------|---------|----------|-------|---------------|-------|-------|-------|-------|--------|-----|
| | d H7 | l | d_1 | l_1 | u JS9 | t +0.2 | a_2 | b_2 j7 | c_2 | e_2 | f_2 | i_2 | s_2 | |
| 05 | 30 | 140 | 50 | 124 | 8 | 33.3 | 200 | 130 | 12 | 165 | 3.5 | 33 | 4 x 11 | |
| | 35 | | | | 10 | 38.3 | | | | | | | | |
| 06 | 40 | 160 | 65 | 140 | 12 | 43.3 | 200 | 130 | 12 | 165 | 3.5 | 42 | 4 x 11 | |
| | 45 | | | | 14 | 48.8 | | | | | | | | 250 |
| 07 | 50 | 200 | 75 | 175 | 14 | 53.8 | 250 | 180 | 15 | 215 | 4 | 55 | 4 x 14 | |
| | 55 | | | | 16 | 59.3 | | | | | | | | 300 |

Dimensions in [mm] * Observe dimension k_2 .
 ** See page 8-34 for more built-on accessories for motors

Dimensions - Helical-worm gearboxes

Geared servo motors with resolver



| Geared servo motor | | S (synchronous servo motors) | | | | | A (asynchronous servo motors) | | | | | | | | |
|------------------------------|-------------------------------------|------------------------------|-----|-----|----------------|-----|-------------------------------|----------------|-----|-----|-----|-----|-----|-----|-----|
| GSS□□ - 3 ^A S V□R | | 056 | | 071 | | | 056 | 071 | 080 | | | | | | |
| | | C23 | C33 | C03 | C13 | C33 | C22 | C22 | C22 | | | | | | |
| Motor | g | 102 | 102 | 131 | 131 | 131 | 102 | 131 | 142 | | | | | | |
| | g ₁ | 90 | 90 | 102 | 102 | 102 | 90 | 102 | 109 | | | | | | |
| | k ₂ | 145 | 145 | 145 | 145 | 145 | 145 | 145 | 180 | | | | | | |
| | k ₁ naturally ventilated | 207 | 242 | 215 | 250 | 285 | 258 | 267 | 307 | | | | | | |
| | Δk** naturally ventilated+brake | 27 | 27 | 35 | 35 | 35 | 25 | 35 | 33 | | | | | | |
| | forced ventilated | - | - | 68 | 68 | 68 | - | 68 | 62 | | | | | | |
| | forced ventilated+brake | - | - | 103 | 103 | 103 | - | 103 | 95 | | | | | | |
| Gearbox size | Gearbox | | | | | | | Overall length | | | | | | | |
| | o | o ₁ * | p* | h | h ₁ | a | q | k | | | | | | | |
| 05 | 209 | 197 | 205 | 125 | 80 | 13 | 130 | 500 | 535 | 508 | 543 | 578 | 551 | 560 | |
| 06 | 252 | 236 | 250 | 150 | 100 | 10 | 160 | 557 | 592 | 565 | 600 | 635 | 608 | 617 | |
| 07 | 299 | 296 | 310 | 190 | 120 | 12 | 200 | 611 | 646 | 619 | 654 | 689 | 662 | 671 | 721 |

| Gearbox size | Solid shaft | | | | | | | | Pitch circle | | | | | | Foot | | | | | | | | | | | |
|--------------|-------------|-----|----------------|----------------|----------------|----------------|----|------|----------------|-------------------|----------------|----------------|----------------|------------------------|----------------|----------------|----------------|----------------|----------------|----------------|----------------|----------------|----------------|----|----|----------------|
| | d | l | d ₁ | l ₁ | l ₂ | d ₂ | u | t | a ₁ | b ₁ H7 | e ₁ | f ₁ | i ₁ | s ₁ 6 x 60° | a ₅ | a ₆ | b ₅ | b ₆ | b ₇ | c ₅ | e ₅ | f ₅ | f ₆ | n | m | s ₅ |
| 05 | 30 | 60 | 50 | 6 | 45 | M10 | 8 | 33 | 118 | 80 | 100 | 4 | 64 | M8x15 | 47.5 | 47.5 | 95 | 140 | 105 | 17 | 127 | 124 | 169 | 29 | 21 | 11 |
| 06 | 40 | 80 | 65 | 7 | 63 | M16 | 12 | 43 | 140 | 100 | 120 | 4 | 85 | M10x16 | 60 | 60 | 120 | 170 | 120 | 20 | 145 | 156 | 206 | 36 | 23 | 14 |
| 07 | 50 | 100 | 75 | 8 | 80 | M16 | 14 | 53.5 | 165 | 115 | 140 | 5 | 105 | M12x18 | 70 | 70 | 140 | 210 | 150 | 25 | 180 | 185 | 255 | 45 | 28 | 18 |

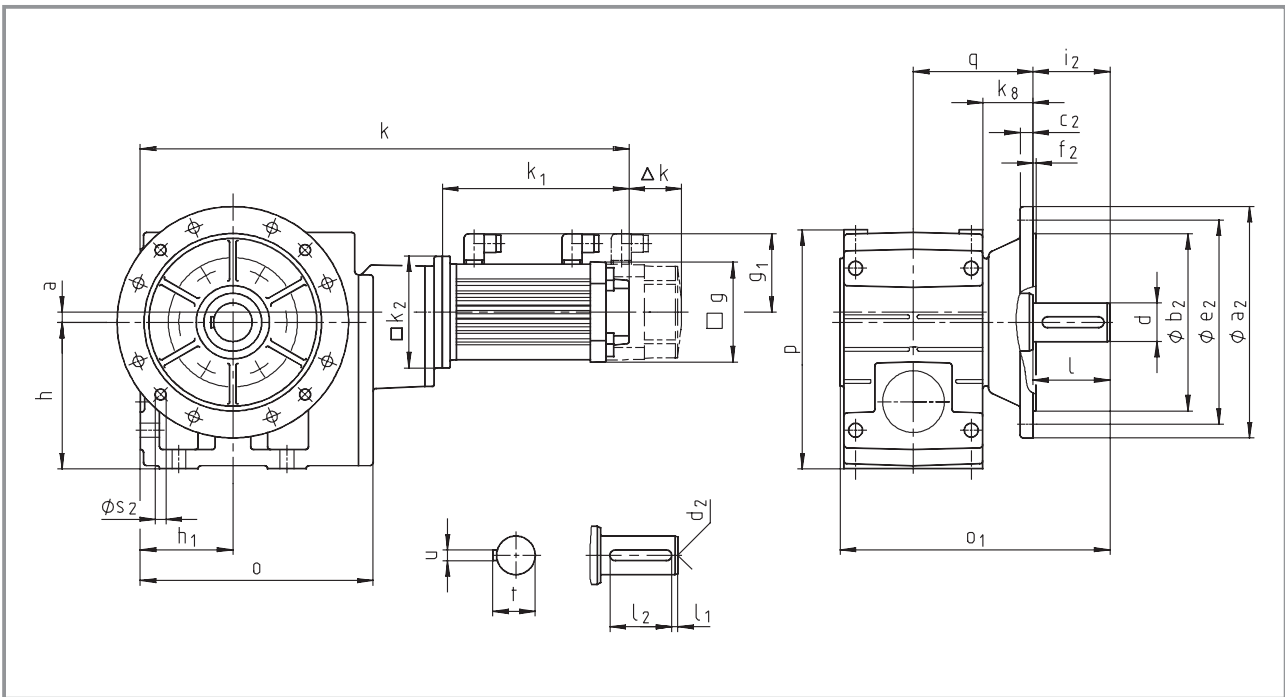
Dimensions in [mm] d ≤ 50 mm: k6
d > 50 mm: m6

* Observe dimension k₂

** See page 8-34 for more built-on accessories for motors

Dimensions - Helical-worm gearboxes

Geared servo motors with resolver



| Geared servo motor | | S (synchronous servo motors) | | | | | A (asynchronous servo motors) | | | | | | | | | |
|--------------------|--|------------------------------|-------|-----|-------|-----|-------------------------------|-----|----------------|-----|-----|-----|-----|-----|-----|-----|
| GSS□□ - 3 AS VAK | | 056 | | 071 | | | 056 | 071 | 080 | | | | | | | |
| | | C23 | C33 | C03 | C13 | C33 | C22 | C22 | C22 | | | | | | | |
| Motor | g | 102 | 102 | 131 | 131 | 131 | 102 | 131 | 142 | | | | | | | |
| | g_1 | 90 | 90 | 102 | 102 | 102 | 90 | 102 | 109 | | | | | | | |
| | k_2 | 145 | 145 | 145 | 145 | 145 | 145 | 145 | 180 | | | | | | | |
| | k_1 naturally ventilated | 207 | 242 | 215 | 250 | 285 | 258 | 267 | 307 | | | | | | | |
| | Δk^{**} naturally ventilated+brake | 27 | 27 | 35 | 35 | 35 | 25 | 35 | 33 | | | | | | | |
| | forced ventilated | - | - | 68 | 68 | 68 | - | 68 | 62 | | | | | | | |
| | forced ventilated+brake | - | - | 103 | 103 | 103 | - | 103 | 95 | | | | | | | |
| Gearbox size | Gearbox | | | | | | | | Overall length | | | | | | | |
| | o | o_1^* | p^* | h | h_1 | a | k_8 | q | k | | | | | | | |
| 05 | 209 | 230 | 205 | 125 | 80 | 13 | 40 | 103 | 500 | 535 | 508 | 543 | 578 | 551 | 560 | |
| 06 | 252 | 277 | 250 | 150 | 100 | 10 | 49 | 121 | 557 | 592 | 565 | 600 | 635 | 608 | 617 | |
| 07 | 299 | 351 | 310 | 190 | 120 | 12 | 65 | 155 | 611 | 646 | 619 | 654 | 689 | 662 | 671 | 721 |

| Gearbox size | Solid shaft | | | | | | | | Output flange | | | | | | |
|--------------|-------------|-----|-------|-------|-------|-----|------|-------|---------------|-------|-------|-------|-------|--------|--|
| | d | l | l_1 | l_2 | d_2 | u | t | a_2 | b_2 j7 | c_2 | e_2 | f_2 | i_2 | s_2 | |
| 05 | 30 | 60 | 6 | 45 | M10 | 8 | 33 | 200 | 130 | 12 | 165 | 3.5 | 60 | 4 x 11 | |
| 06 | 40 | 80 | 7 | 63 | M16 | 12 | 43 | 250 | 180 | 15 | 215 | 4 | 80 | 4 x 14 | |
| 07 | 50 | 100 | 8 | 80 | M16 | 14 | 53.5 | 250 | 180 | 15 | 215 | 4 | 100 | 4 x 14 | |
| | | | | | | | | 300 | 230 | 17 | 265 | | | | |

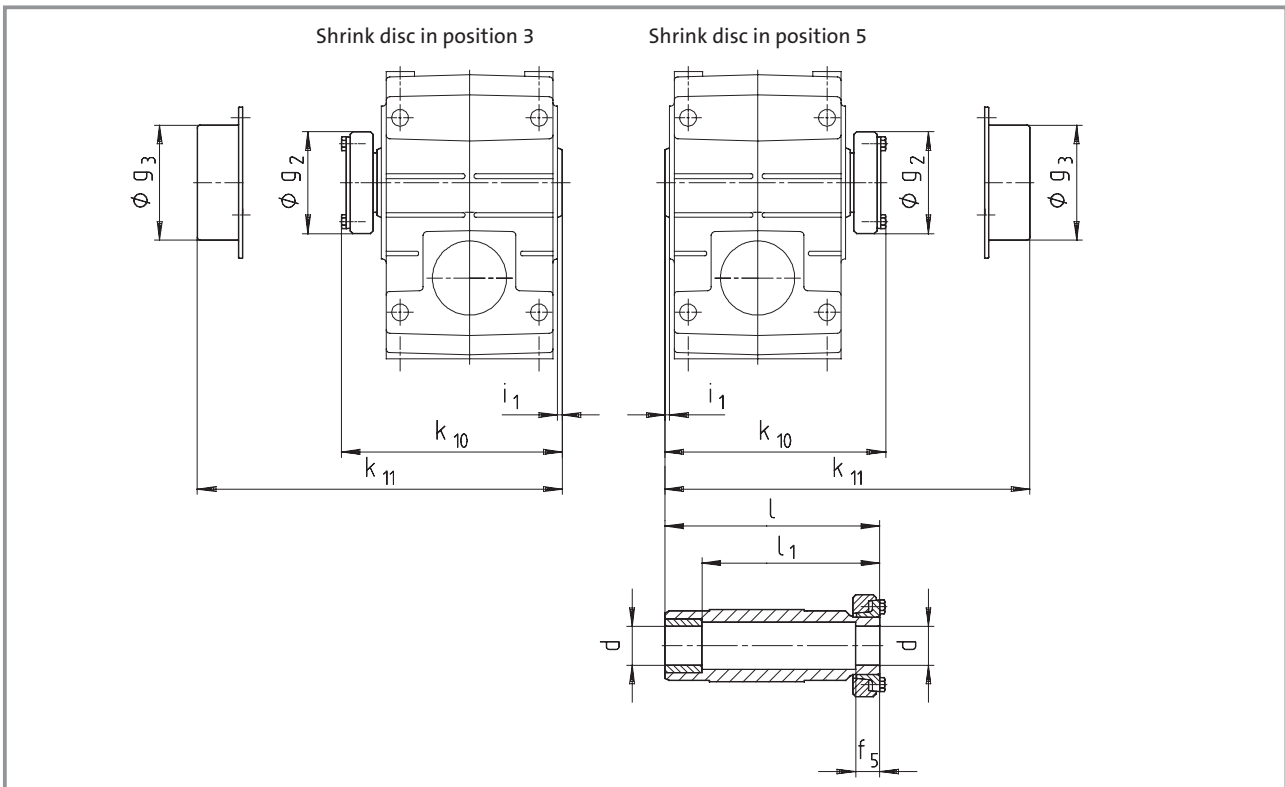
Dimensions in [mm] $d \leq 50$ mm: k6
 $d > 50$ mm: m6

* Observe dimension k_2

** See page 8-34 for more built-on accessories for motors



Hollow shaft with shrink disc



| Gearbox size | Machine shaft * | | Hollow shaft with shrink disc | | | | | | Cover | |
|--------------|-----------------|-----|-------------------------------|-------|----------|-----|-------|-------|-------|----------|
| | d | Fit | i_1 | g_2 | k_{10} | l | l_1 | f_5 | g_3 | k_{11} |
| 04 | 25 | h6 | 2.5 | 72 | 147.5 | 142 | 122 | 26 | 79 | 154 |
| | 30 | | | | | | | | | |
| 05 | 35 | h6 | 4 | 80 | 173.5 | 168 | 148 | 28 | 90 | 179 |
| 06 | 40 | h6 | 5 | 90 | 199.5 | 194 | 164 | 30 | 100 | 204 |
| 07 | 50 | h6 | 5 | 110 | 237.5 | 232 | 192 | 26 | 124 | 244 |

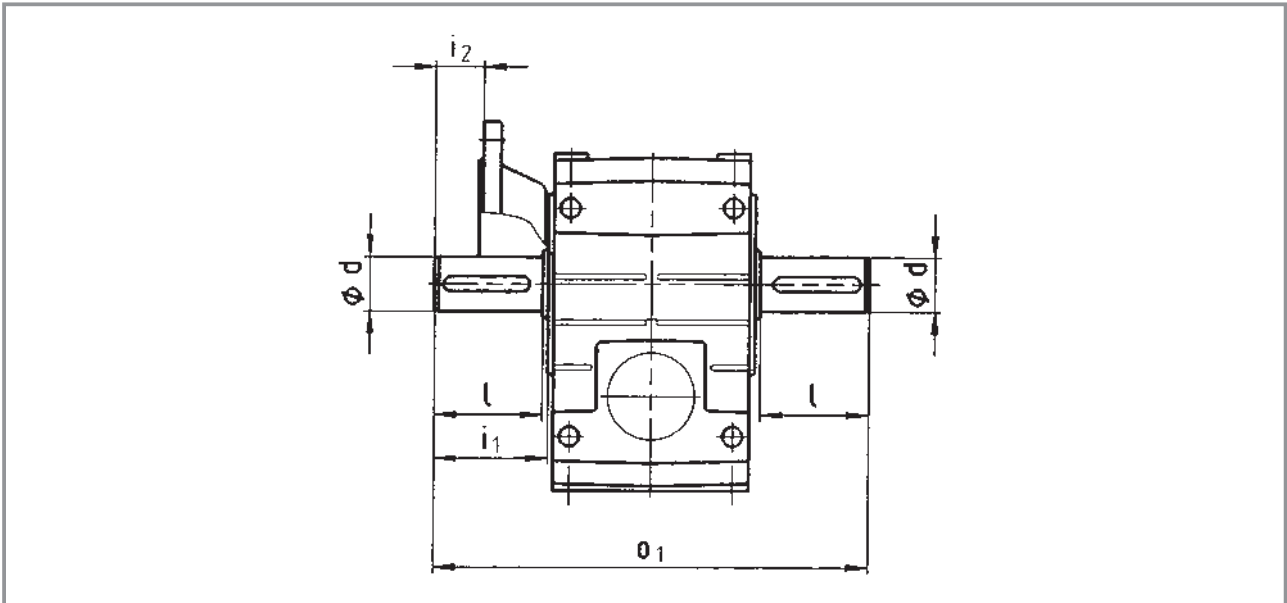
Dimensions in [mm]

*Ensure that the strength of the shaft material is adequate in shrink disc designs. When using typical steels (e.g. C45, 42CrMo4), the torques listed in the selection tables can be used without restriction. When using material that is considerably weaker, please consult with us. Medium surface roughness R_z must not exceed $15 \mu\text{m}$ (turning operation is sufficient).

Dimensions - Helical-worm gearboxes

Further dimensions GSS□□

Gearbox with 2nd output shaft end

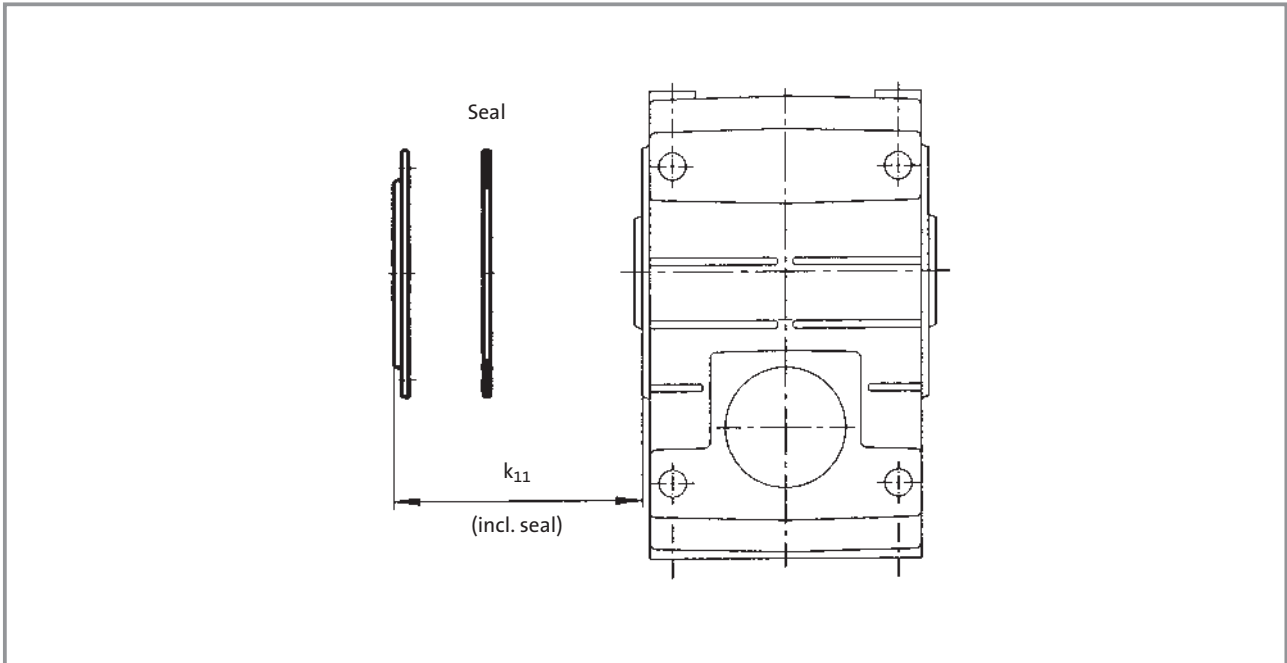


| Gearbox size | d | l | i ₁ | i ₂ | o ₁ |
|--------------|----|-----|----------------|----------------|----------------|
| 04 | 25 | 50 | 52.5 | 17 | 215 |
| 05 | 30 | 60 | 64 | 27 | 260 |
| 06 | 40 | 80 | 85 | 39 | 320 |
| 07 | 50 | 100 | 105 | 45 | 400 |

Dimensions in [mm]



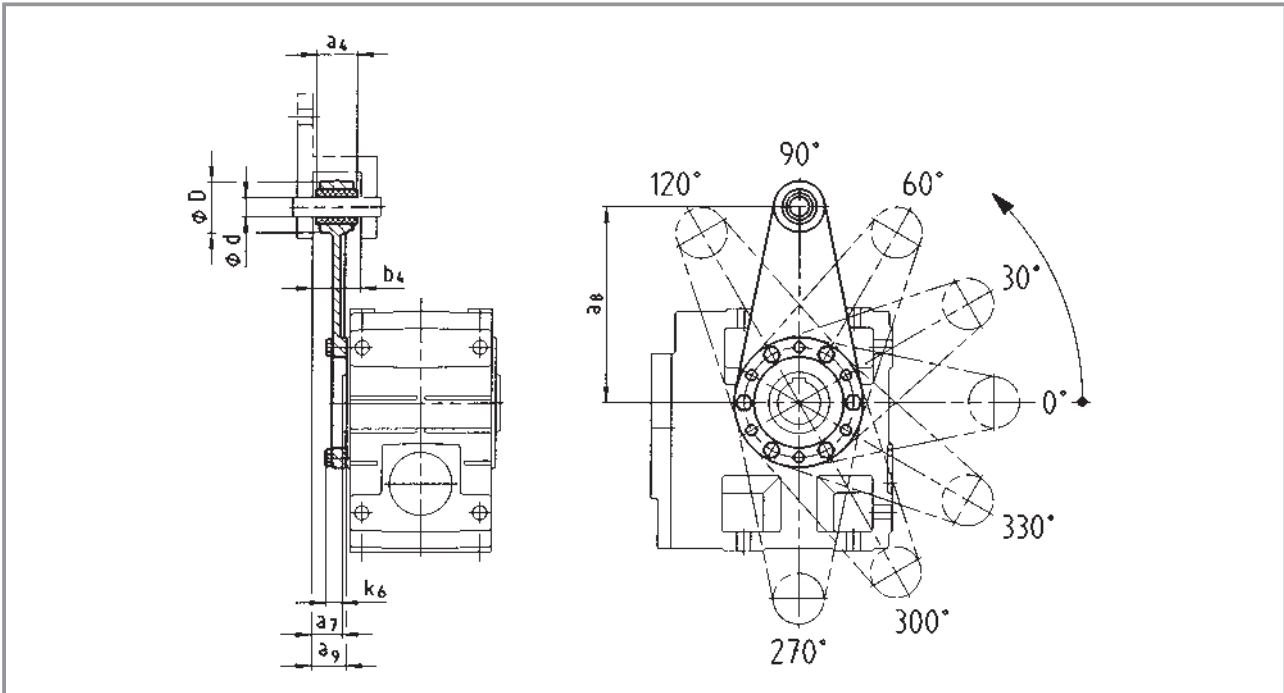
Hoseproof hollow shaft cover



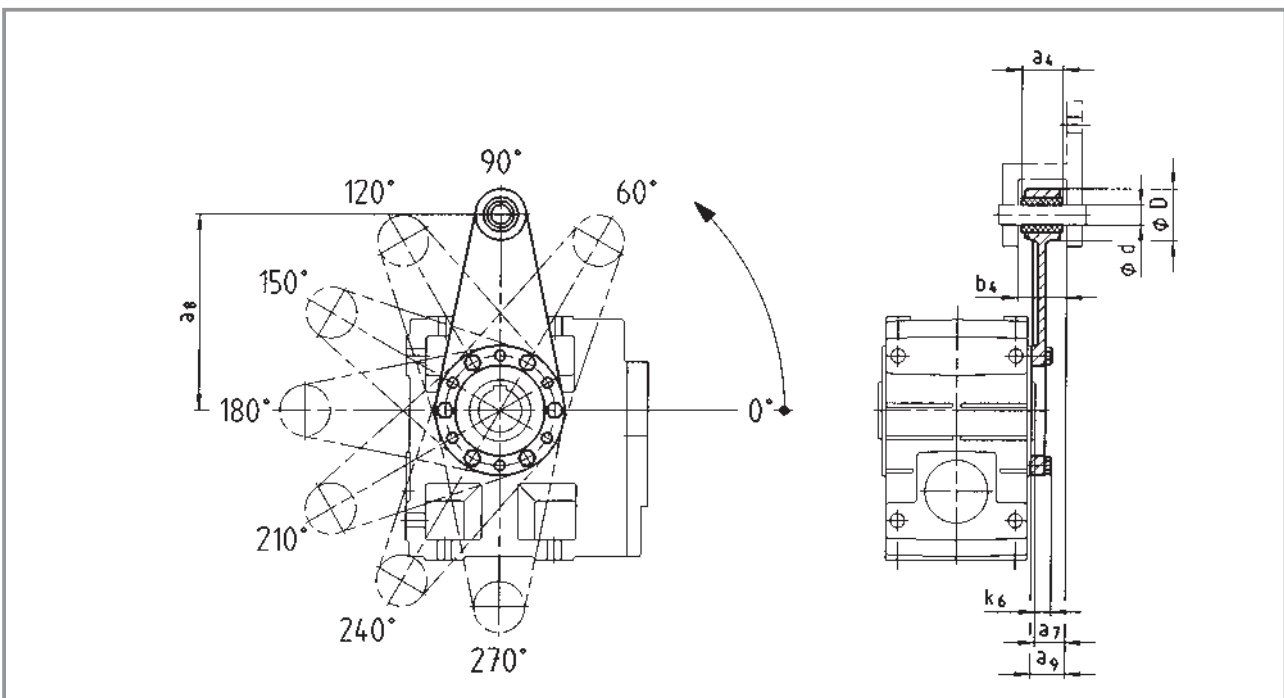
| Gearbox size | Cover k_{11} |
|--------------|----------------|
| 04 | 9 |
| 05 | 10 |
| 06 | 11 |
| 07 | 11 |

Dimensions in [mm]

Torque plate at pitch circle in position 3



Torque plate at pitch circle in position 5

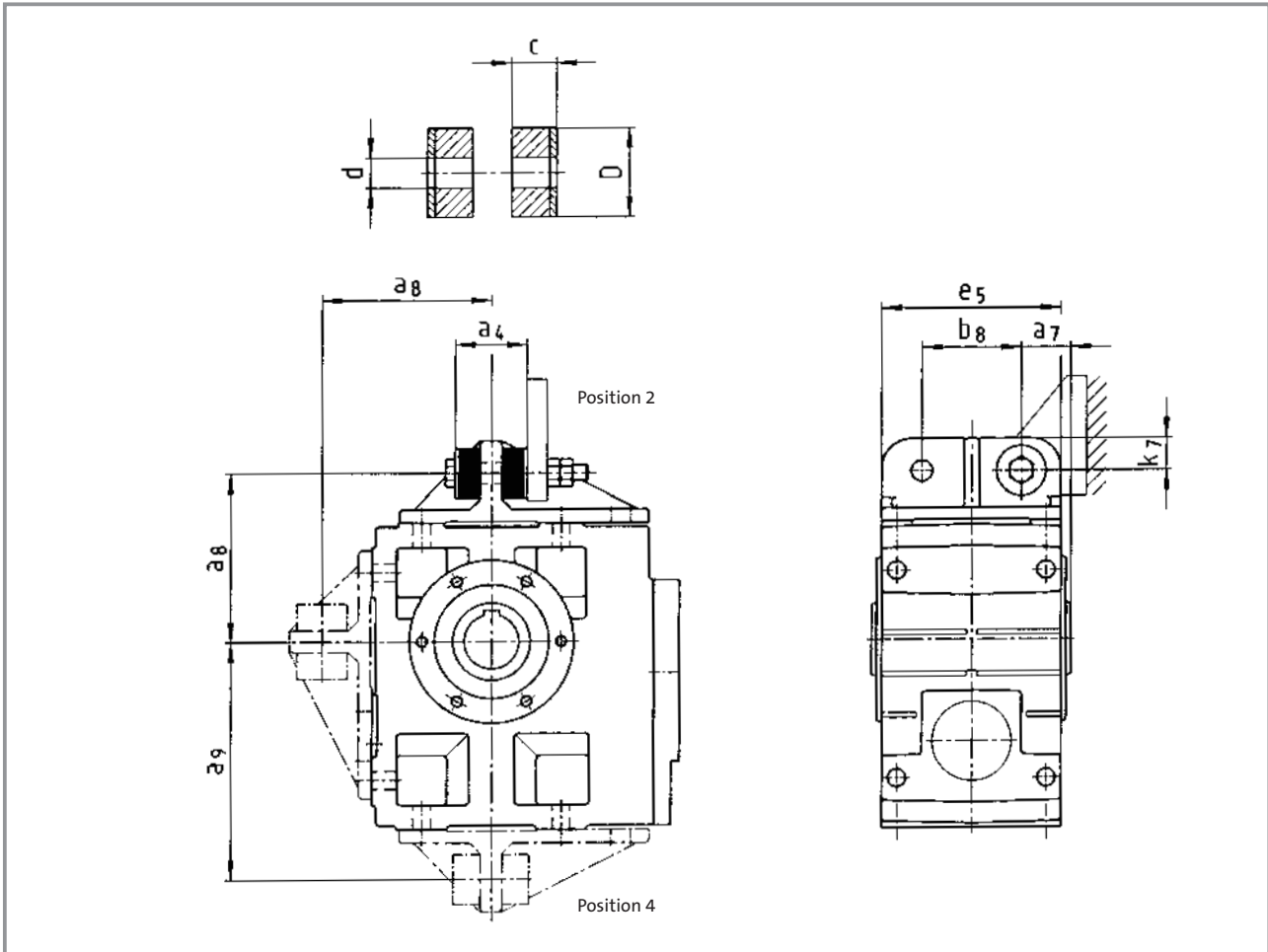


| Gearbox size | Assembly space | | Torque plate | | | | | | |
|--------------|----------------|----------------|----------------|----------------|----------------|----|----|----------------|--|
| | a ₇ | b ₄ | a ₄ | a ₈ | a ₉ | d | D | k ₆ | |
| 04 | 24 | 34.5 | 30 | 130 | 26.5 | 12 | 35 | 16 | |
| 05 | 23.5 | 38.5 | 34 | 160 | 27.5 | 16 | 45 | 15 | |
| 06 | 28 | 44.5 | 40 | 200 | 33 | 20 | 50 | 18 | |
| 07 | 32.5 | 50.5 | 46 | 250 | 37.5 | 25 | 65 | 21 | |

Dimensions in [mm]



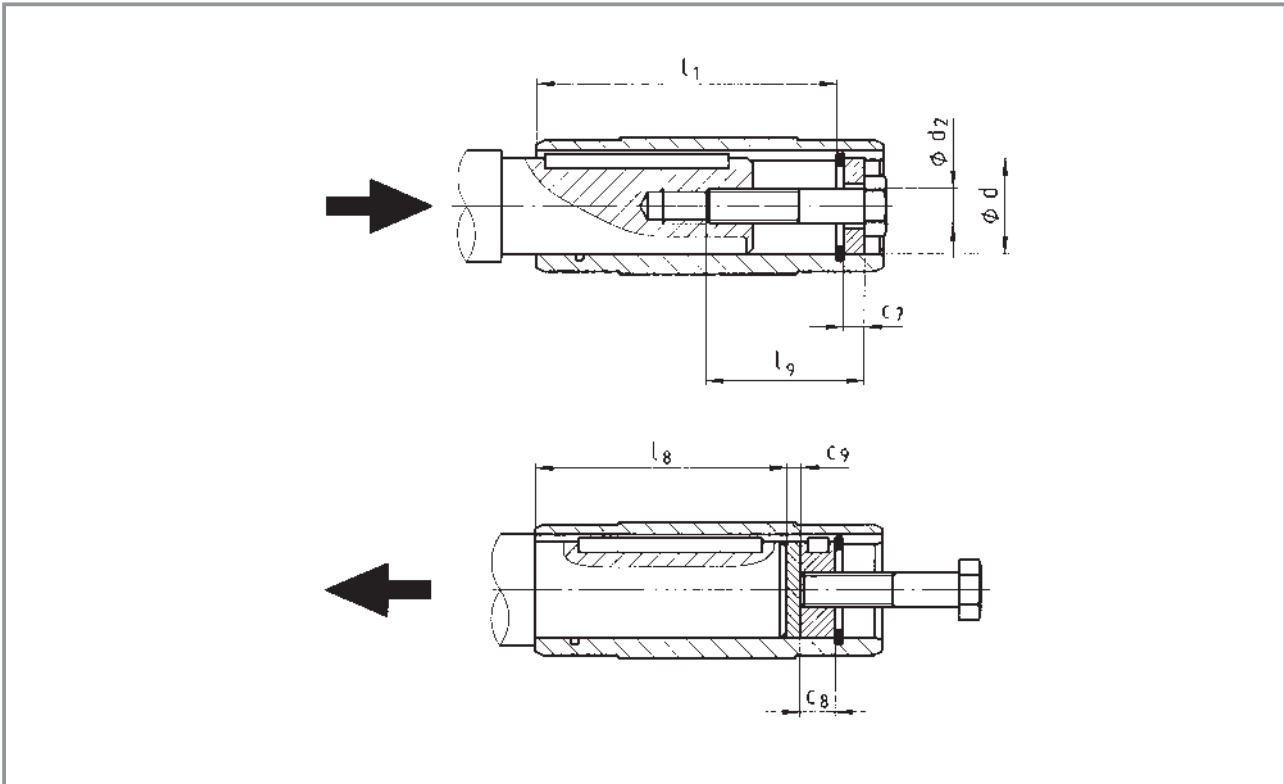
Torque plate on housing foot



| Gearbox size | a ₄ | a ₇ | a ₈ | a ₉ | b ₈ | c | d | D | e ₅ | k ₇ |
|--------------|----------------|----------------|----------------|----------------|----------------|------|----|----|----------------|----------------|
| 04 | 41 | 27.5 | 106 | 135 | 60 | 14.5 | 11 | 30 | 100 | 20 |
| 05 | 45 | 35 | 115 | 160 | 70 | 15 | 13 | 40 | 127 | 25 |
| 06 | 72 | 40 | 145 | 195 | 80 | 27 | 17 | 50 | 145 | 28 |
| 07 | 78 | 50 | 170 | 240 | 100 | 28 | 21 | 60 | 180 | 35 |

Dimensions in [mm]

Mounting set for hollow shaft circlip/proposed design for auxiliary tools



| Gearbox size | Hollow shaft (design H) | | | Mounting set for hollow shaft circlip (mounting auxiliary tool) | | | Dismounting auxiliary tool | | Machine shaft max l ₈ |
|--------------|-------------------------|----------------|----------|--|----------------|----------------|-------------------------------|----------------|-------------------------------------|
| | l | l ₁ | d H7 | d ₂ | l ₉ | c ₇ | c ₈ | c ₉ | |
| 04 | 115 | 100 | 25 30 | M10 M10 | 40 | 5 6 | 10 | 3 | 85 |
| 05 | 140 | 124 | 30 35 | M10 M12 | 40 50 | 6 7 | 10 12 | 3 | 107 |
| 06 | 160 | 140 | 40 45 | M16 | 60 | 8 9 | 16 | 4 | 118 |
| 07 | 200 | 175 | 50 55 | M16 M20 | 60 80 | 10 11 | 16 20 | 5 | 148 |

Dimensions in [mm]