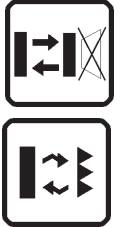


HIGH-PERFORMANCE BACKGROUND SUPPRESSION AND POLARISED RETROREFLEX



- *30, 60 and 120 cm background suppression*
- *Low detection difference with white or black targets*
- *Immunity against reflective surfaces and background*
- *10 m polarised retroreflex*
- *Standard 4 wire NO-NC NPN or PNP output*

Standard 50X50

S62 SERIES

The **S62** series has been especially developed in the 50x50 housing with 18 mm width to obtain the maximum performances in the main optic detection functions for industrial automation. The background suppression models reach 30 cm with visible red emission, or 60 and 120 cm with infrared emission.

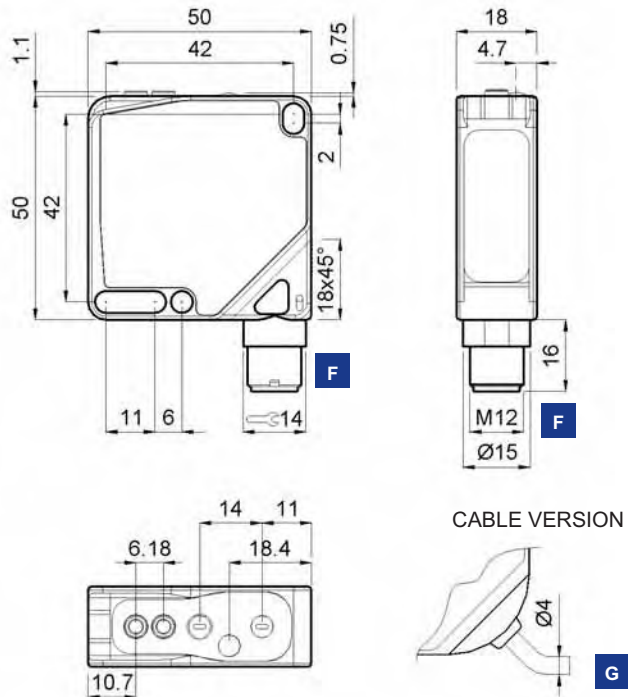
All versions present 6-turn mechanical trimmer adjustment of the operating distance and high immunity against the colour differences in objects to detect or suppress, even with very shiny targets.

The polarised retroreflex, besides the maximum operating distance that reaches 10 m, has to be highlighted for the high excess gain and absolute immunity against reflections on more shiny surfaces, even if irregular or with mirror-treatment.



The background suppression is able to detect with excellent precision the limit over which the object can not be detected, with minimum differences also between objects of different materials or colour. The switching threshold setting is even easier and precise thanks to the mechanical 6-turn trimmer with graded gearscale. The polarised retroreflex model, thanks to high-polarisation optic filters, is able to detect even reflective objects with mirror surfaces, with an operating distance reaching 10 m.

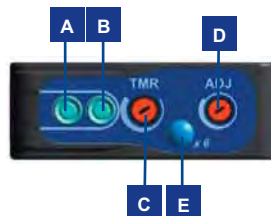
DIMENSIONS



CABLE VERSION



INDICATORS AND SETTINGS



- A** Output status LED
- B** Stability led
- C** Timer adjustment trimmer
- D** Distance adjustment trimmer
- E** Graded gearscale
- F** M12 connector output
- G** Cable output

ACCESSORIES

For dedicated accessories refer to the **ACCESSORIES** section of this catalogue.

Refer also to **Connectors** and **Fixing Brackets** of the **General Catalogue**.

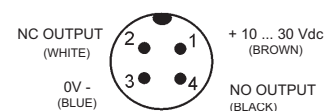
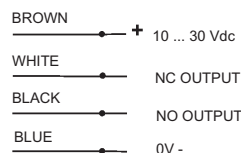
CONNECTIONS



S62-PA-2



S62-PA-5



TECHNICAL DATA

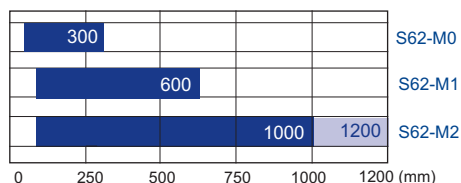
TECHNICAL NOTES

		S62-PA-2-B01	S62-PA-2-M01	S62-PA-2-M11	S62-PA-2-MZ1	S62-PA-5-B01	S62-PA-5-M01	S62-PA-5-M11	S62-PA-5-M15	S62-PA-5-MZ1	S62-PA-5-MZ5
Polarised retroreflex operating distance:	0 ... 10 m (on R5)	●									
Background suppression distance:	30 ... 300 mm	●									
	60 ... 600 mm		●								
	60 ... 1200 mm				●					●	●
Power supply:	10 ... 30 Vdc ¹	●	●	●	●	●	●	●	●	●	●
Ripple:	≤ 2 Vpp	●	●	●	●	●	●	●	●	●	●
Consumption:	≤ 40 mA	●	●	●	●	●	●	●	●	●	●
Light emission²:	red LED 660 nm	●	●			●	●	●	●	●	●
	infrared LED 880 nm			●	●	●	●	●	●	●	●
Spot dimension:	6 x 6 mm at 200 mm	●									
	15 x 15 mm at 400 mm		●								
	approx. 80 mm at 3 m	●			●						
Setting:	6 turn trimmer	●	●	●	●	●	●	●	●	●	●
	single turn trimmer	●				●					
Indicators:	yellow OUTPUT LED	●	●	●	●	●	●	●	●	●	●
	green STABILITY LED	●	●	●	●	●	●	●	●	●	●
Output type:	PNP, NO and NC (final -PP)	●	●	●	●	●	●	●	●	●	●
	NPN, NO and NC (final -NN)	●	●	●	●	●	●	●	●	●	●
Output current:	≤ 100 mA	●	●	●	●	●	●	●	●	●	●
Saturation voltage:	≤ 2 V	●	●	●	●	●	●	●	●	●	●
Response time:	500 μs	●	●	●	●	●	●	●	●	●	●
Max. switching frequency:	1 kHz	●	●	●	●	●	●	●	●	●	●
Operating mode:	light on NO / dark on NC	●	●	●	●	●	●	●	●	●	●
	light on NC / dark on NO	●			●						
Timing function:	0 ... 1 sec.						●	●			
Connection:	2 m Ø 4 mm cable ³	●	●	●							
	M12 4-pole connector ⁴					●	●	●	●	●	●
Electrical protection:	class 2	●	●	●	●	●	●	●	●	●	●
Mechanical protection:	IP67	●	●	●	●	●	●	●	●	●	●
Protection devices:	A, B ⁵	●	●	●	●	●	●	●	●	●	●
Housing material:	ABS	●	●	●	●	●	●	●	●	●	●
Lens material:	window in PMMA	●	●	●	●	●	●	●	●	●	●
	lenses in PC	●	●	●	●	●	●	●	●	●	●
Weight:	90 g max.	●	●	●							
	40 g max.					●	●	●	●	●	●
Operating temperature:	-10 ... +55 °C	●	●	●	●	●	●	●	●	●	●
Storage temperature:	-20 ... +70 °C	●	●	●	●	●	●	●	●	●	●
Reference standard:	EN 60947-5-2	●	●	●	●	●	●	●	●	●	●

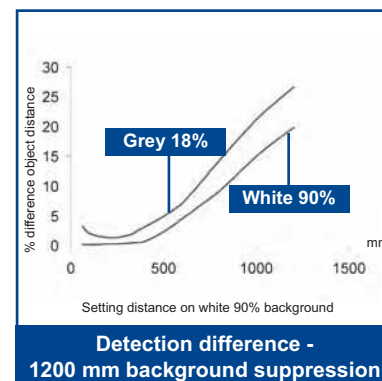
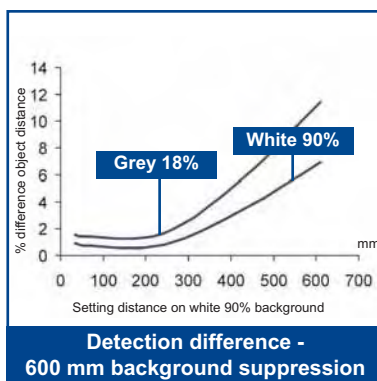
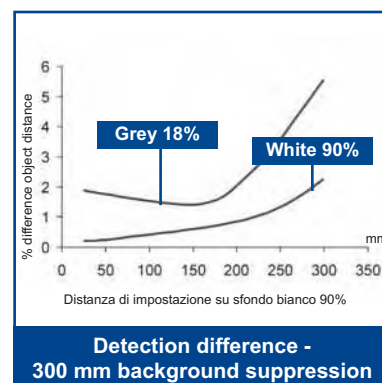
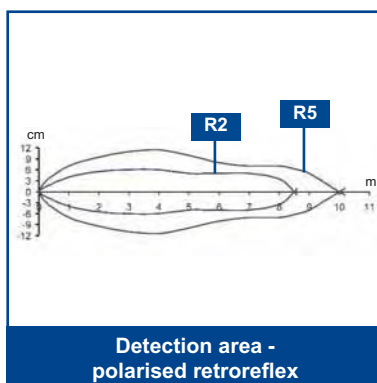
- Limit values
- Average life of 100.000 h with $T_A = +25$ °C
- PVC, 4 x 0,14 mm²
- Connettore bloccabile in two positions
- A - reverse polarity protection
B - overload and short-circuit protection



DETECTION DIAGRAMS



■ Recommended operating distance
■ Maximum operating distance



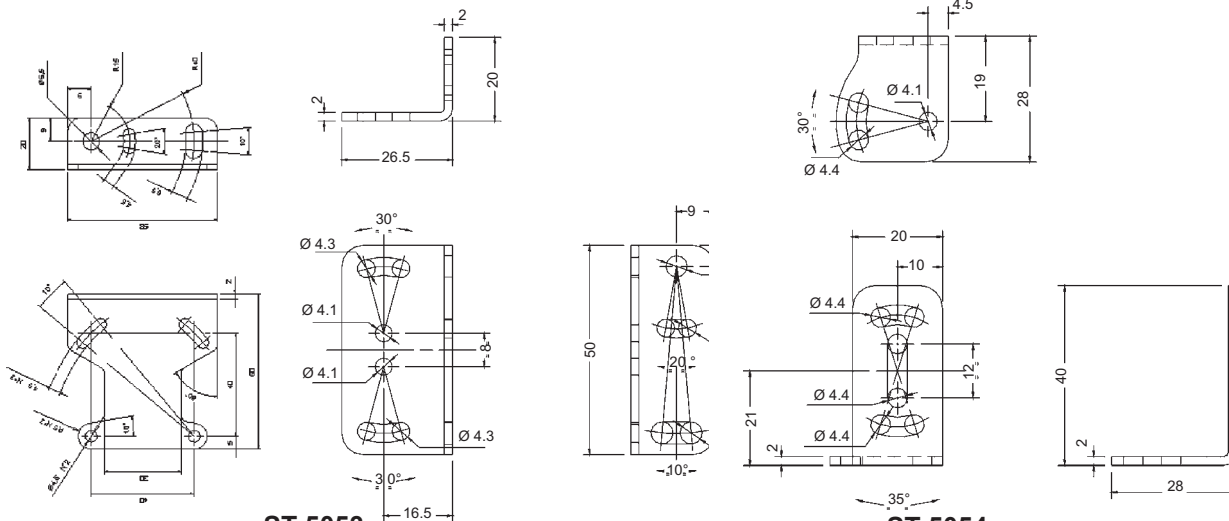
MODEL SELECTION AND ORDER INFORMATION

MODELLO	FUNZIONE	COLLEGAMENTO	USCITA	N° ORDINE
S62-PA-2-B01-PP	polarised retroreflex	2 m cable	PNP	956211010
S62-PA-2-B01-NN	polarised retroreflex	2 m cable	NPN	956211030
S62-PA-5-B01-PP	polarised retroreflex	M12 connector	PNP	956211000
S62-PA-5-B01-NN	polarised retroreflex	M12 connector	NPN	956211020
S62-PA-2-M01-PP	300 mm background suppression	2 m cable	PNP	956201840
S62-PA-5-M01-PP	300 mm background suppression	M12 connector	PNP	956201830
S62-PA-5-M01-NN	300 mm background suppression	M12 connector	NPN	956201810
S62-PA-5-M05-PP	300 mm background suppression, with timer	M12 connector	PNP	956201820
S62-PA-5-M05-NN	300 mm background suppression, with timer	M12 connector	NPN	956201800
S62-PA-2-M11-PP	600 mm background suppression	2 m cable	PNP	956201890
S62-PA-5-M11-PP	600 mm background suppression	M12 connector	PNP	956201880
S62-PA-5-M11-NN	600 mm background suppression	M12 connector	NPN	956201860
S62-PA-5-M15-PP	600 mm background suppression, with timer	M12 connector	PNP	956201870
S62-PA-5-M15-NN	600 mm background suppression, with timer	M12 connector	NPN	956201850
S62-PA-2-M21-PP	1200 mm background suppression	2 m cable	PNP	956201940
S62-PA-5-M21-PP	1200 mm background suppression	M12 connector	PNP	956201900
S62-PA-5-M21-NN	1200 mm background suppression	M12 connector	NPN	956201910
S62-PA-5-M25-PP	1200 mm background suppression, with timer	M12 connector	PNP	956201920
S62-PA-5-M25-NN	1200 mm background suppression, with timer	M12 connector	NPN	956201930

ST-504

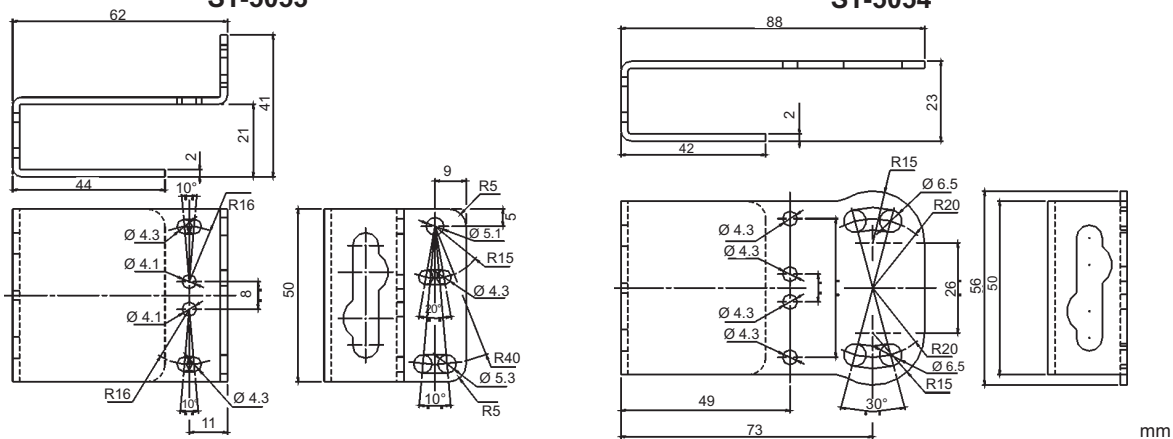
ST-5020

ST-5021



ST-5053

ST-5054



ACCESSORY SELECTION AND ORDER INFORMATION

MODEL	DESCRIPTION	ORDER N°
ST-504	fixing bracket	95ACC1320
ST-5020	fixing bracket	95ACC5330
ST-5021	fixing bracket	95ACC5340
ST-5053	protection bracket	95ACC2410
ST-5054	protection bracket	95ACC2420

Please refer also to **DATASENSOR** connectors and reflectors

UNIVERSAL COMPACT SENSORS