

PLASTIC BOXES



UL/NEMA/IEC

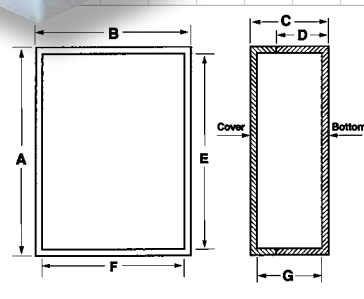
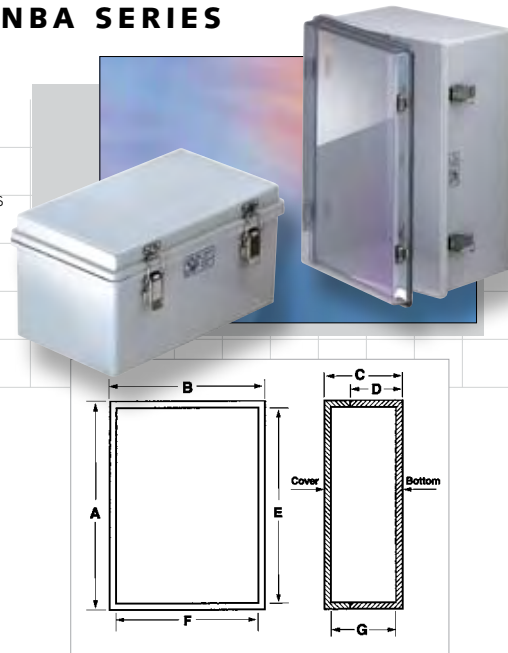
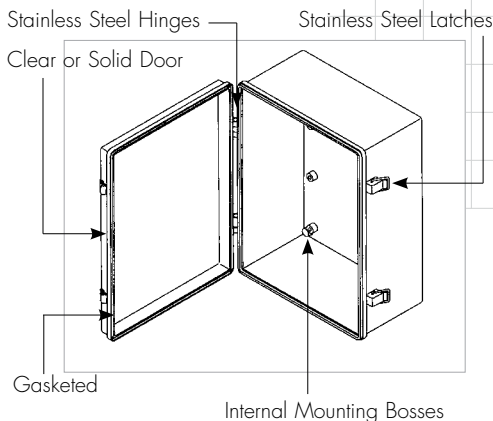
NBA SERIES

Most of these gasketed enclosures have been tested and approved to UL508-4X specifications, with a few being approved to UL50-4X. All enclosures meet NEMA 1, 2, 4, 4X, 12, and 13 and IEC529-IP65 requirements. (NBA is not NEMA 12.)

Indoor Versions:

Outdoor Versions:

- ◆ ABS plastic enclosures are molded out of light gray material with a UL94-HB flammability rating
- ◆ UL508-4X enclosures are molded out of light gray PC/PBT blended plastic with a UL94-5VA flammability rating
- ◆ Clear doors for all models are Polycarbonate plastic with a UL94V-0 flammability rating

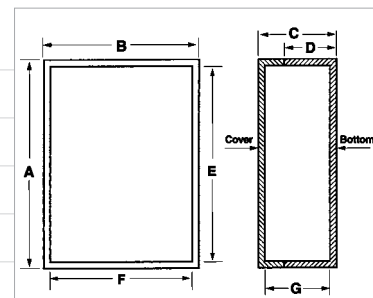
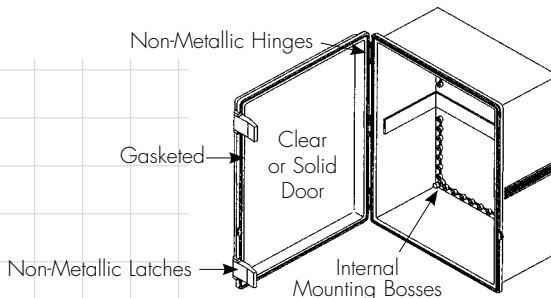


| NBA Series Dimensions | | | | | | | | | | | |
|-------------------------|------------|--------------------------|------------|----------|--------|-------|-------|-----------|--------|-------|------|
| Indoor Version Cat. No. | | Outdoor Version Cat. No. | | External | | | | Internal* | | | Wgt. |
| Solid Door | Clear Door | Solid Door | Clear Door | A | B | C | D | E | F | G | Lbs. |
| NBA-10142 | NBA-10162 | | | 11.80" | 7.85" | 5.97" | 4.80" | 11.00" | 7.02" | 5.69" | 3.4 |
| NBA-10144 | NBA-10164 | | | 11.80" | 7.85" | 7.09" | 5.90" | 11.00" | 7.02" | 6.80" | 3.8 |
| NBA-10148 | NBA-10168 | | | 15.75" | 11.80" | 7.09" | 5.90" | 14.93" | 10.94" | 6.80" | 6.2 |
| NBA-10152 | NBA-10172 | | | 19.68" | 15.75" | 7.87" | 6.69" | 18.85" | 14.90" | 7.60" | 10.4 |
| NBA-10156 | NBA-10176 | | | 23.61" | 15.75" | 9.06" | 7.87" | 22.78" | 14.90" | 8.80" | 13.5 |

FRONT DOORS HAVE STAINLESS STEEL HINGES AND LATCHES

*Reference Only - Request drawing for Internal configuration and dimensions.

NBB SERIES



| NBB Series Dimensions | | | | | | | | | | | | |
|------------------------|----------------------------------|------------|-----------------------------------|------------|----------|--------|-------|-------|-----------|--------|-------|------|
| ABS Version** Cat. No. | UL508-4X Indoor Version Cat. No. | | UL508-4X Outdoor Version Cat. No. | | External | | | | Internal* | | | Wgt. |
| Solid Door | Solid Door | Clear Door | Solid Door | Clear Door | A | B | C | D | E | F | G | Lbs. |
| NBB-22220 | NBB-10220 | NBB-10230 | | | 5.11" | 3.94" | 2.75" | 1.96" | 4.37" | 3.18" | 2.53" | 0.6 |
| NBB-22221 | NBB-10221 | NBB-10231 | | | 5.90" | 3.94" | 2.75" | 1.96" | 5.11" | 3.18" | 2.53" | 0.7 |
| NBB-22222 | NBB-10222 | NBB-10232 | | | 7.87" | 3.94" | 2.75" | 1.96" | 7.08" | 3.18" | 2.53" | 0.8 |
| NBB-22223 | NBB-10223 | NBB-10233 | | | 10.63" | 3.94" | 2.75" | 1.96" | 9.88" | 3.18" | 2.53" | 1.1 |
| NBB-22240 | NBB-10240 | NBB-10260 | NBB-15240 | | 5.90" | 5.90" | 3.57" | 2.75" | 5.04" | 5.04" | 3.27" | 1.1 |
| NBB-22241 | NBB-10241 | NBB-10261 | | | 10.73" | 6.79" | 4.33" | 3.15" | 9.84" | 5.90" | 4.07" | 1.8 |
| NBB-22243 | NBB-10243 | NBB-10263 | NBB-15243 | | 11.28" | 7.47" | 5.50" | 4.33" | 10.46" | 6.65" | 5.25" | 2.8 |
| NBB-22245 | NBB-10245 | NBB-10265 | NBB-15245 | | 13.00" | 13.00" | 7.04" | 5.86" | 12.14" | 12.14" | 6.79" | 5.6 |
| NBB-22247 | NBB-10247 | NBB-10267 | NBB-15247 | | 15.68" | 11.73" | 6.30" | 5.11" | 14.88" | 10.89" | 6.03" | 5.6 |
| NBB-22251 | NBB-10251 | NBB-10271 | | | 14.52" | 10.55" | 5.90" | 4.72" | 13.74" | 9.76" | 5.64" | 4.6 |
| NBB-22253 | NBB-10253 | NBB-10273 | NBB-15253 | | 19.17" | 14.64" | 7.85" | 6.67" | 18.33" | 13.75" | 7.60" | 9.6 |
| NBB-22258 | NBB-10258 | NBB-10278 | NBB-15258 | | 28.91" | 21.03" | 9.87" | 8.66" | 27.56" | 19.67" | 9.53" | 22.2 |
| ● NBB-32640 | | | | | 5.90" | 5.90" | 3.57" | 2.76" | 5.30 | 5.30 | 3.35 | 0.8 |
| ● NBB-32643 | | | | | 11.28" | 7.47" | 6.30" | 5.12" | 10.85 | 6.91 | 6.09 | 2.8 |
| ● NBB-32647 | | | | | 15.68" | 11.73" | 6.30" | 5.12" | 14.75 | 10.81 | 6.09 | 5.6 |
| ● NBB-32653 | | | | | 19.17" | 14.88" | 6.30" | 5.12" | 18.67 | 14.74 | 6.06 | 9.6 |

FRONT DOORS HAVE PLASTIC HINGES AND SNAP-ACTION LATCHES

Economy version has all-plastic construction, is NEMA 1, 2, 4, 4X, 12 and 13 compliant, and is not UL listed.

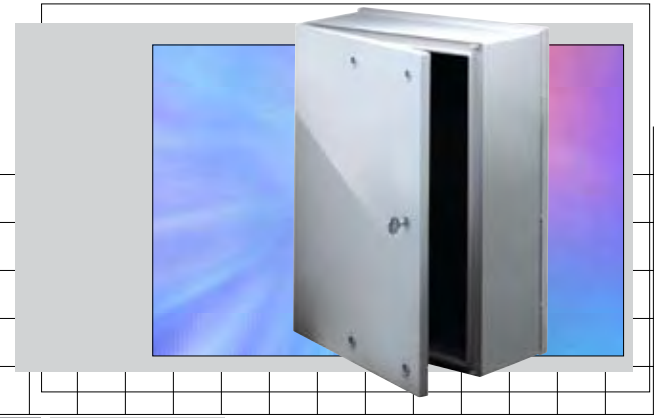
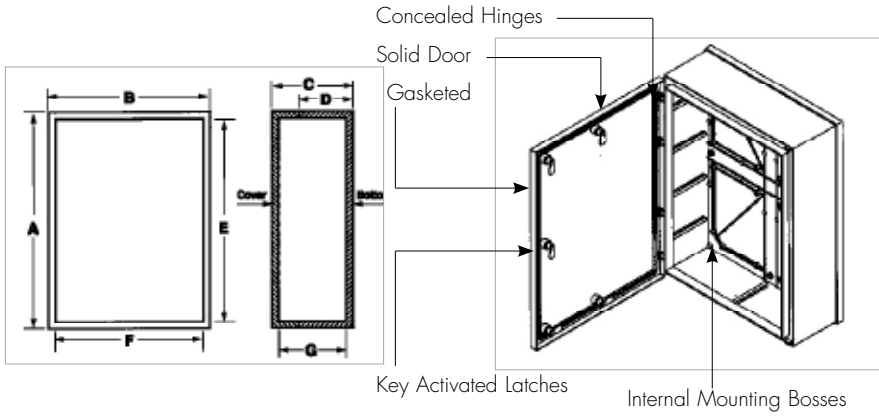
*Reference Only - Request drawing for Internal configuration and dimensions.

**Not UL listed



PLASTIC BOXES

NBC SERIES

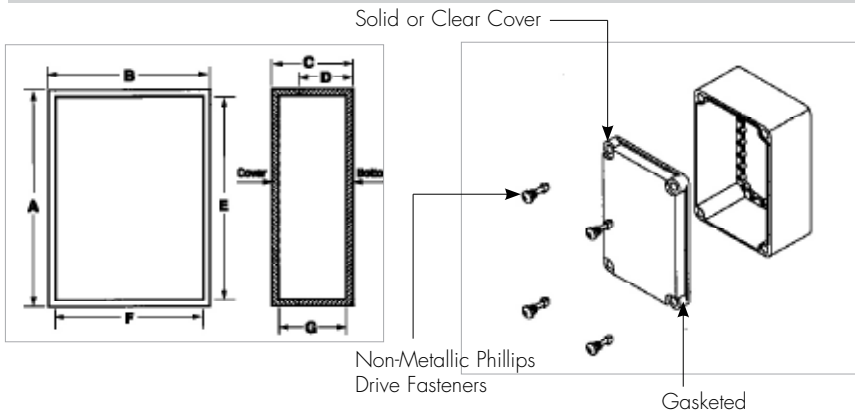


| NBC Series Dimensions | | | | | | | | | |
|-------------------------|------------|----------|--------|--------|--------|-----------|--------|--------|-------|
| Indoor Version Cat. No. | | External | | | | Internal* | | | Wt. |
| Solid Door | Clear Door | A | B | C | D | E | F | G | Lbs. |
| NBC-10352 | - | 32.05" | 24.18" | 11.00" | 10.02" | 30.67" | 22.82" | 10.60" | 27.50 |

FRONT DOORS HAVE CONCEALED HINGES - ONE SIZE ONLY

*Reference Only - Request a drawing for Internal configuration and dimensions.

NBD SERIES

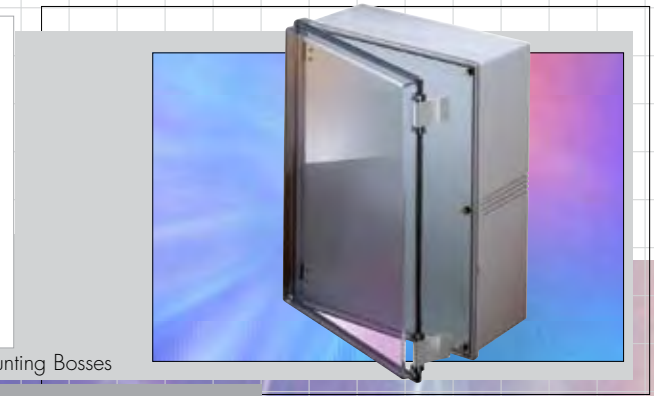
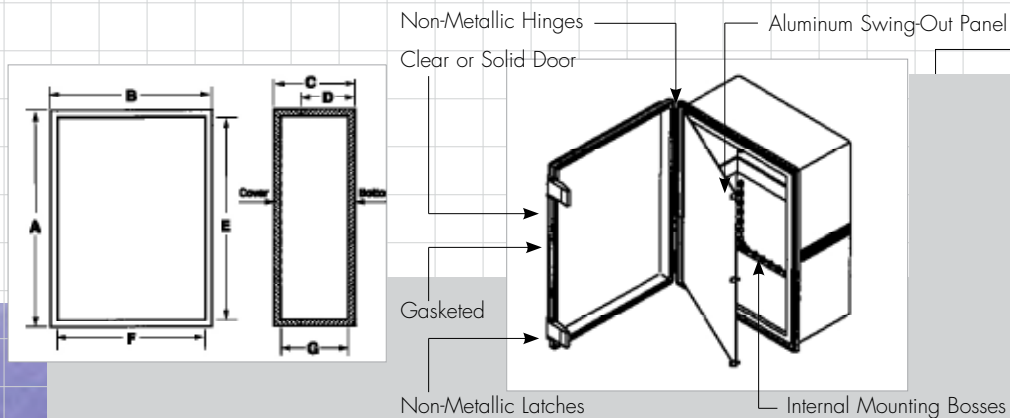


| NBD Series Dimensions | | | | | | | | | | | |
|-------------------------|------------|--------------------------|------------|----------|--------|-------|-------|-----------|--------|-------|------|
| Indoor Version Cat. No. | | Outdoor Version Cat. No. | | External | | | | Internal* | | | Wt. |
| Solid Door | Clear Door | Solid Door | Clear Door | A | B | C | D | E | F | G | Lbs. |
| NBD-10442 | NBD-10462 | NBD-15442 | | 11.02" | 7.48" | 5.03" | 3.85" | 10.47" | 6.66" | 4.81" | 2.6 |
| NBD-10445 | NBD-10465 | NBD-15445 | Contact | 15.00" | 7.53" | 7.00" | 3.85" | 14.40" | 6.70" | 6.75" | 4.2 |
| NBD-10449 | NBD-10469 | NBD-15449 | Bud | 13.42" | 11.05" | 5.11" | 3.92" | 12.46" | 10.09" | 4.86" | 4.2 |
| NBD-10452 | NBD-10472 | NBD-15452 | Factory | 14.96" | 11.02" | 7.01" | 3.85" | 14.13" | 10.20" | 6.77" | 5.0 |
| NBD-10456 | NBD-10476 | NBD-15456 | | 22.08" | 14.97" | 7.04" | 5.82" | 21.26" | 14.17" | 6.72" | 9.2 |

NON-METALLIC PHILLIPS DRIVE FASTENERS

*Reference Only - Request a drawing for Internal configuration and dimensions.

NBE SERIES



| NBE Series Dimensions | | | | | | | | | | | |
|-------------------------|------------|--------------------------|------------|----------|--------|-------|-------|-----------|--------|-------|------|
| Indoor Version Cat. No. | | Outdoor Version Cat. No. | | External | | | | Internal* | | | Wt. |
| Solid Door | Clear Door | Solid Door | Clear Door | A | B | C | D | E | F | G | Lbs. |
| NBE-10543 | NBE-10563 | | | 11.28" | 7.47" | 5.50" | 4.33" | 10.46" | 6.65" | 5.25" | 3.7 |
| NBE-10547 | NBE-10567 | | Contact | 15.68" | 11.73" | 6.30" | 5.11" | 14.88" | 10.89" | 6.03" | 7.0 |
| NBE-10553 | NBE-10573 | | Bud | 19.17" | 14.64" | 7.85" | 6.67" | 18.33" | 13.75" | 7.60" | 11.2 |
| NBE-10558 | NBE-10578 | | Factory | 28.91" | 21.03" | 9.87" | 8.66" | 27.56" | 19.67" | 9.53" | 28.0 |

SAME AS NBB SERIES WITH SWINGFRAME PANEL

*Reference Only - Request a drawing for Internal configuration and dimensions.

ACCESSORIES

UL / NEMA / IEC

Locking Hasp Kit

Used in combination with customer supplied padlock to secure enclosures against entry.

- Kit comes complete with hasp, gasket, and all mounting hardware

| Catalog No. | Description | Weight/Oz. |
|---|------------------|------------|
| NBX-10915 | Locking Hasp Kit | 2.5 |
| Cannot be used on NBB22240, NBB10240, NBB10260, and NBB15240. | | |



Wall Mounting Bracket Kit

Used to mount enclosures to walls, panels, or any other flat surface.

- Kits available with three different size brackets
- Corrosion resistant stainless steel construction
- Kit comes complete with four brackets and bracket/enclosure mounting screws

| Catalog No. | Description | Weight/Oz. |
|-------------|-----------------|------------|
| NBX-10920 | Small Brackets | 2.0 |
| NBX-10922 | Medium Brackets | 2.6 |
| NBX-10924 | Large Brackets | 3.2 |



Panel Bracket Kit

Consists of 4 panel mounting brackets and 4 mounting screws.

For use on NBB22240, NBB22220, NBB2221, NBB2222, NBB2223, NBB10220, NBB10221, NBB10222, NBB10223, NBB10230, NBB10231, NBB10232, NBB10233, NBB10240, NBB10260, NBB15240, and NBB15260.

| Catalog No. | Description | Weight/Oz. |
|-------------|-------------------|------------|
| NBX-10930 | Panel Bracket Kit | 0.1 |



Hinged Panel Bracket Kit

Used to internally mount a customer supplied panel in an enclosure

- Used in NBA Series, NBB Series, and NBD Series
- Kit consists of two hinged plastic brackets, two standard plastic brackets and all necessary mounting hardware

| Catalog No. | Description | Wgt/Oz. |
|---|--------------------------|---------|
| NBX-10970 | Hinged Panel Bracket Kit | 0.7 |
| Cannot be used on NBB22240, NBB22220, NBB22221, NBB22222, NBB22223, NBB10220, NBB10221, NBB10222, NBB10223, NBB10230, NBB10231, NBB10232, NBB10233, NBB10240, NBB10260, NBB15240, and NBB15260. | | |



Internal Panels



Used to mount customer equipment inside enclosures. Comes complete with all mounting hardware.

- Assembles to mounting bosses on inside of enclosure
- 16-gauge galvanized steel
- Plastic internal panels fit same Bud boxes as the metal internal panels — add suffix -PL to end of part number when ordering. Example: NBX-10975-PL
- Fifteen sizes available

| Catalog No. | Fits Enclosure | Panel size/mm | Panel size/in. | Wgt/lbs. |
|-------------|---|---------------|----------------|----------|
| NBX-10975 | NBB-10220, NBB-10230, NBB-22220 | 65 x 90.5 | 2.56 x 3.56 | |
| NBX-10976 | NBB-10221, NBB-10231, NBB-22221 | 65 x 115.5 | 2.56 x 4.55 | |
| NBX-10977 | NBB-10222, NBB-10232, NBB-22222 | 65 x 165 | 2.56 x 6.50 | |
| NBX-10978 | NBB-10223, NBB-10233, NBB-22223 | 65 x 235 | 2.56 x 9.25 | |
| NBX-10979 | NBB-10241, NBB-10261, NBB-22241 | 136.5 x 235 | 5.37 x 9.25 | |
| NBX-10980 | NBA-10142,10162,10144,10164 | 170 x 267 | 6.7 x 10.5 | 1.3 |
| NBX-10981 | NBA-10148,10168 | 265 x 362 | 10.4 x 14.3 | 2.6 |
| NBX-10982 | NBA-10152,10172 | 362 x 463 | 14.3 x 18.2 | 4.6 |
| NBX-10983 | NBA-10156,10176 | 362 x 560 | 14.3 x 22.1 | 5.5 |
| NBX-10984 | NBB-10240,10260 | 124 x 124 | 4.9 x 4.9 | 0.5 |
| NBX-10985 | NBB-10243,10263, NBD-10442,10462, NBE-10543,10563 | 161 x 251 | 6.3 x 9.9 | 1.1 |
| NBX-10986 | NBB-10245,10265 | 291 x 291 | 11.5 x 11.5 | 2.3 |
| NBX-10987 | NBB-10247,10267, NBE-10547,10567 | 265 x 362 | 10.4 x 14.3 | 2.6 |
| NBX-10988 | NBB-10251, NBB-10271, NBB-22251 | 230 x 330 | 9.06 x 12.99 | |
| NBX-10990 | NBB-10253,10273, NBE-10553,10573 | 333 x 447 | 13.1 x 17.6 | 4.1 |
| NBX-10991 | NBB-10258,10278, NBE-10558,10578 | 480 x 680 | 18.9 x 26.8 | 8.9 |
| NBX-10992 | NBC-10352 | 520 x 720 | 20.5 x 28.4 | 10.2 |
| NBX-10994 | NBD-10445,10465 | 161 x 352 | 6.3 x 13.9 | 1.6 |
| NBX-10996 | NBD-10449,10469 | 251 x 312 | 9.9 x 12.3 | 2.2 |
| NBX-10997 | NBD-10452,10472 | 251 x 351 | 9.9 x 13.8 | 2.4 |
| NBX-10999 | NBD-10456,10476 | 532 x 345 | 20.9 x 13.6 | 5.0 |

Screws

Used to attach equipment or panels to internal mounting bosses and brackets to the outside rear of enclosures.

- Five different screw sizes and/or types available

| Catalog No. | Type | Internal Use | Weight/Oz. |
|-------------|-----------|----------------------------|------------|
| NBX-10950 | M5 x 10mm | All except as listed below | 14.0 |
| NBX-10951 | M4 x 8mm | NBB-10240, 10260 | 14.0 |
| NBX-10952 | M6 x 10mm | All w/o inserts | 14.0 |
| Catalog No. | Type | External Use | Weight/Oz. |
| NBX-10953 | M5 x 10mm | All except as listed below | 14.0 |
| NBX-10954 | M4 x 8mm | NBB-10240, 10260 | 14.0 |

ACCESSORIES

UL / NEMA / IEC



Style A



Style B

| Catalog No. | Style | Weight/Oz. |
|-------------|-------|------------|
| NBX-10910 | A | 3.0 |
| NBX-10911 | B | 3.0 |

Air & Moisture Vents

Used to equalize internal and external temperature and pressure, and to prevent internal condensation

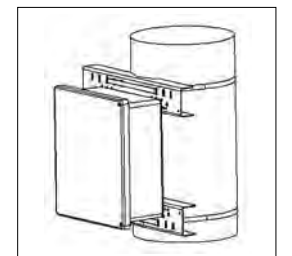
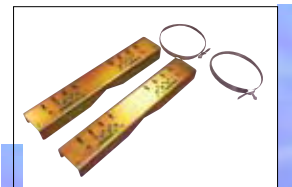
- Two mounting styles available
- All plastic construction
- Each vent comes with housing, gasket, and locking nut

Pole Mount Brackets

| Catalog No. | Applies to Bud Number | Weight/Lbs. |
|----------------------|---|-------------|
| BPM-22260 | AN-1304 through AN-1310, AN-1313 through AN-1317 | 6.3 |
| | PN-1323 through PN-1326, PN-1329; PN-1331 through PN-1341 | |
| | NF-6610 through NF-6613, NFL-6630 through NFL-6633 | |
| | SN-3700 through SN-3702, SN-3704 | |
| | NBB-22220 through NBB-22223, NBB-22240 through NBB-22243 | |
| BPM-22261 | NBE-10543, NBE-10563 | 8.0 |
| | NBA-10442, NBA-10444 | |
| | NBD-10442, NBD-10445 | |
| | PN-1342 through PN-1344 | |
| | NF-6613, NF-6614, NFL-6633, NFL-6634 | |
| | SN-3703, SN-3705 through SN-3709 | |
| | All SNB series | |
| | NBB-22245 through NBB-22258 | |
| | NBE-10547 through NBE-10558, NBE-10567 through NBE-10578 | |
| | NBA-10148 | |
| NBD-10449, NBD-10452 | | |

Allows Bud NEMA boxes to mount to round or rectangular poles.

- Zinc-plated and dichromate sealed steel brackets
- Stainless steel quick-adjust, high strength band clamps
- Kit includes 2 brackets, 2 band clamps and all necessary hardware



Cable Glands

Design Features

Required to maintain NEMA 1, 2, 4, 4X, 12 or 13 rating when cables enter or exit a NEMA 1, 2, 4, 4X, 12 or 13 type enclosure. These assemblies consist of black molded nylon body, hex nut, and cable nut, and with a rubber gasket and cable seal. Nylon material has UL94V-2 flammability rating.

| Catalog No. | Mounting Size | Mounting Hole Diameter | Cable Range | Wt. Oz. |
|-------------|---------------|------------------------|-------------|---------|
| NG-9511 | PG-7 | .50" | .12"-.26" | 0.2 |
| NG-9512 | PG-9 | .61" | .16"-.31" | 0.3 |
| NG-9513 | PG-11 | .73" | .20"-.39" | 0.4 |
| NG-9514 | PG-13.5 | .81" | .24"-.47" | 0.5 |
| NG-9515 | PG-16 | .89" | .39"-.55" | 0.6 |
| NG-9516 | PG-21 | 1.12" | .51"-.71" | 0.9 |
| NG-9517 | PG-29 | 1.47" | .71"-.98" | 1.5 |

