



## CONTROL SERIES

*The larger Control Series offers standard features as well as full-panel access and all usable panel space. In addition, the standard grey cover is available with or without a full-length polycarbonate viewing window. Other options include removable aluminum deadfront panel and back panels.*

*Control Series enclosures insulate and protect controls and components against the toughest elements in the harshest environments. Available in popular larger sizes and depths and with standard stainless steel hinges and latches.*

### Control Series Features & Benefits

- Molded Ultraguard® fiberglass reinforced polyester material construction for durability
- One-piece body construction provides added dimensional stability
- Standards sizes from 24" x 20" x 9-3/4" to 30" x 24" x 11-3/4"
- Closed-cell neoprene gasket encased in a continuous channel
- Raised cover for additional depth
- 304 stainless steel hardware and mounting feet
- Mounting panel inserts for optional back panel
- Optional hinged deadfront panel
- UV stabilized for outdoor use





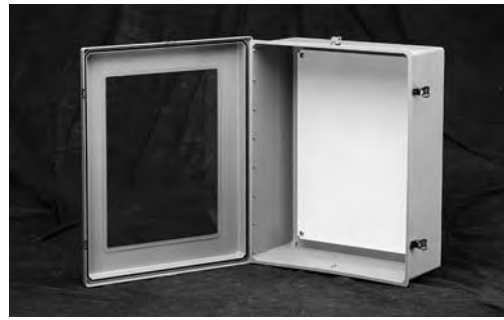
### Suitable Applications

- Electrical junctions
- Terminal wiring
- Electrical and electronic controls, instruments, components
- Housing pushbuttons, switches or other devices
- Other industrial control equipment



### Control Series Specifications

- Non-corrosive
- Non-conductive
- Temperature-resistant
- Fire-resistant
- Rated NEMA 1, 2, 3, 3R 4, 4X, 12, 13
- UL listed
- CSA certified
- Compliant with RoHS directive



### Accessories

- Back panels available in painted carbon steel, aluminum, fiberglass, or galvanized steel
- Aluminum hinged dead front panel for configuration flexibility
- UV resistant polycarbonate viewing windows
- Thermal management products

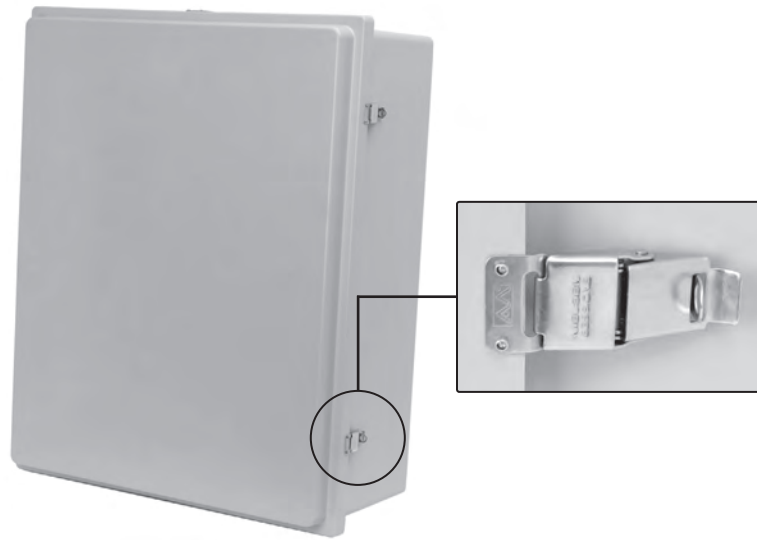
### modifications

We are pleased to modify any of our standard products to fit your needs. We have the lowest volume requirements on custom work in the industry, and quick turnaround time.

We can modify any of our Control Series enclosures with:

- Custom size holes and cutouts
- Custom size polycarbonate viewing windows
- Molded-in color matches
- EMI/RFI shielding
- Factory-supplied silk screening

*For complete details on factory modifications including a modification request form, see pages 106-108.*



## Control Series: Snap Latch hinged Cover

### APPLICATION

- Designed to insulate and house electrical and electronic controls, instruments or components for indoor and outdoor applications
- Especially well suited for high temperature or corrosive environments
- Protects from dirt, dust, oil and water

### STANDARDS

- UL Types 1, 2, 3, 4, 4X, 12, and 13
- CSA Types 1, 2, 3, 3R, 4, 4X, 12 and 13
- NEMA Types 1, 2, 3, 3R, 4, 4X, 12 and 13
- IEC 60529 Type IP66
- Compliant with RoHS directive (Restriction of Hazardous Substances)

### CONSTRUCTION

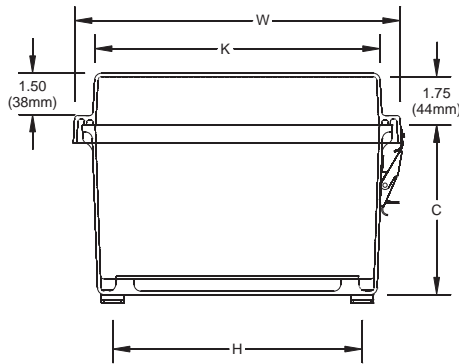
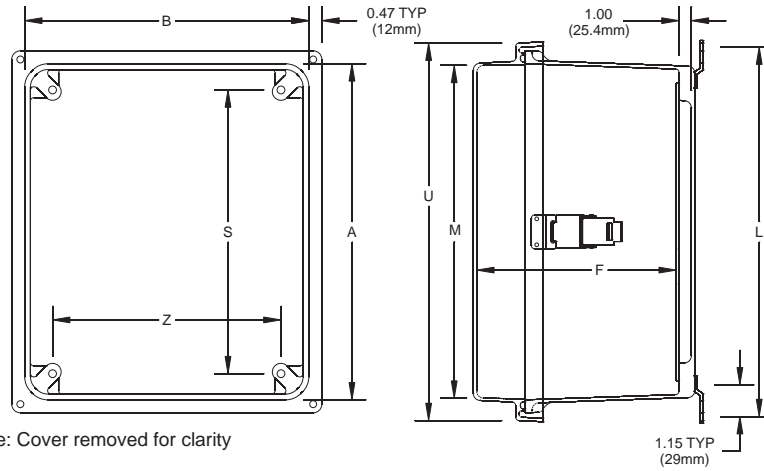
- Strong, molded Ultraguard® fiberglass reinforced polyester material construction with matching raised cover
- Full panel access
- All usable panel space
- 304 stainless steel snap latches feature padlock hasp
- Continuous stainless steel hinge
- Closed-cell neoprene gasket encased in a continuous channel
- 304 stainless steel wall mounting feet with 3/8-16 stainless steel screws included
- 3/8-16 threaded inserts are installed for optional back panel
- Ultraguard® fiberglass material is easily punched, drilled or sawed
- UV stabilized for outdoor use

### ACCESSORIES

- Optional back panels (See table on pages 100-101.)
- Optional deadfront panel (See table on pages 100-101.)
- Optional thermal management products (See pages 102-103.)

### MODIFICATIONS

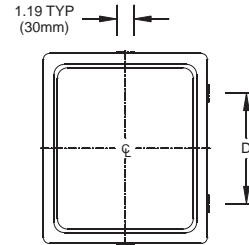
- Custom size holes and cutouts
- Custom size polycarbonate viewing windows
- Molded-in color matches
- EMI/RFI shielding
- Factory-supplied silk screening



Nominal 1/8" (3mm) wall thickness

LATCH LOCATIONS

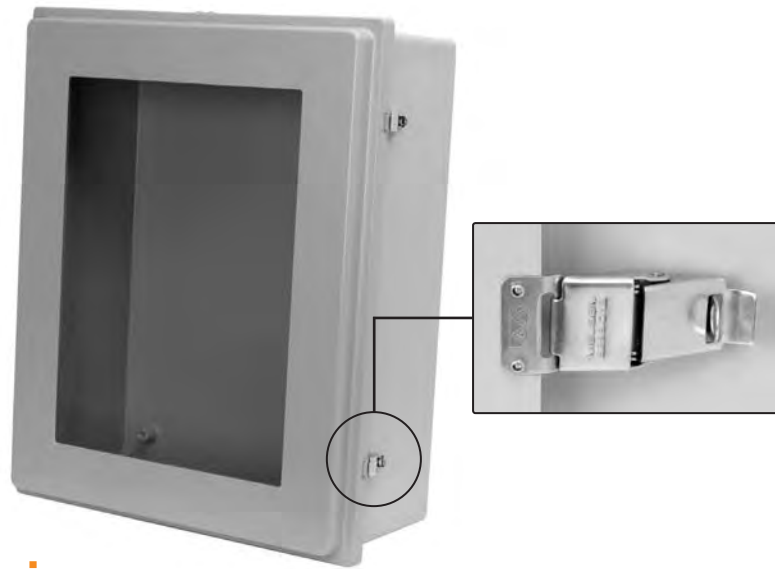
- For use on:
- 24x20x8 D=16.00 (406mm)
  - 24x20x10 D=16.00 (406mm)
  - 24x24x8 D=16.00 (406mm)
  - 24x24x10 D=16.00 (406mm)
  - 30x24x8 D=19.98 (507mm)
  - 30x24x10 D=19.98 (507mm)



Part No.	Box Size			Usable Depth	Panel Boss Centers			Foot Mount Centers		Cover Size			
	A	B	C		F	S	Z	H	L	K	M	U	W
AM24208RL	24.00 610mm	20.00 508mm	8.13 207mm	8.56 217mm	19.25 489mm	15.25 387mm	18.75 476mm	26.85 682mm	20.16 512mm	24.16 614mm	25.59 650mm	21.59 548mm	
AM24248RL	24.00 610mm	24.00 610mm	8.13 207mm	8.56 217mm	19.25 489mm	19.25 489mm	22.75 578mm	26.85 682mm	24.16 614mm	24.16 614mm	25.59 650mm	25.59 650mm	
AM30248RL	30.00 762mm	24.00 610mm	8.13 207mm	8.56 217mm	25.25 641mm	19.25 489mm	22.75 578mm	32.85 834mm	24.16 614mm	30.16 766mm	31.59 802mm	25.59 650mm	
AM24200RL	24.00 610mm	20.00 508mm	10.13 257mm	10.56 268mm	19.25 489mm	15.25 387mm	18.75 476mm	26.85 682mm	20.16 512mm	24.16 614mm	25.59 650mm	21.59 548mm	
AM24240RL	24.00 610mm	24.00 610mm	10.13 257mm	10.56 268mm	19.25 489mm	19.25 489mm	22.75 578mm	26.85 682mm	24.16 614mm	24.16 614mm	25.59 650mm	25.59 650mm	
AM30240RL	30.00 762mm	24.00 610mm	10.13 257mm	10.56 268mm	25.25 641mm	19.25 489mm	22.75 578mm	32.85 834mm	24.16 614mm	30.16 766mm	31.59 802mm	25.59 650mm	

All dimensions are in inches unless otherwise noted.





## Control Series: Snap Latch hinged Cover with window

### APPLICATION

- Designed to insulate and house electrical and electronic controls, instruments or components for indoor and outdoor applications
- Especially well suited for high temperature or corrosive environments
- Protects from dirt, dust, oil and water
- Window unit provides viewing area for instrumentation or equipment

### STANDARDS

- UL Types 1, 2, 3, 4, 4X, 12, and 13
- CSA Types 1, 2, 3, 3R, 4, 4X, 12 and 13
- NEMA Types 1, 2, 3, 3R, 4, 4X, 12 and 13
- IEC 60529 Type IP66
- Compliant with RoHS directive (Restriction of Hazardous Substances)

### CONSTRUCTION

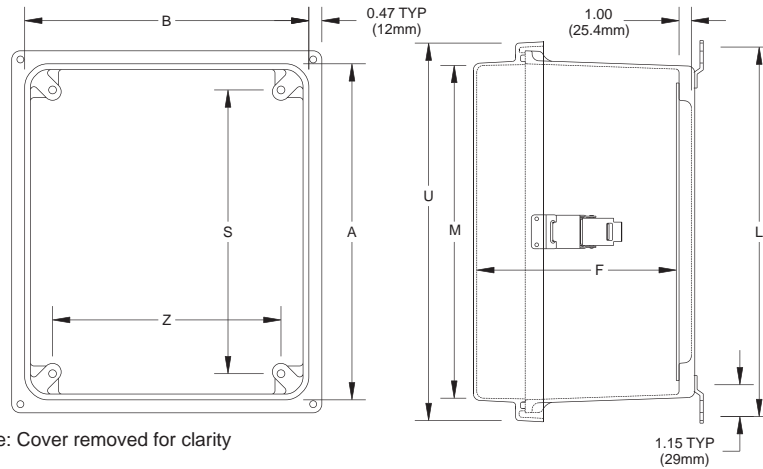
- Strong, molded Ultraguard® fiberglass reinforced polyester material construction with matching raised cover
- Full panel access
- All usable panel space
- UV resistant polycarbonate viewing window
- 304 stainless steel snap latches feature padlock hasp
- Continuous stainless steel hinge
- Closed-cell neoprene gasket encased in a continuous channel
- 304 stainless steel wall mounting feet with 3/8-16 stainless steel screws included
- 3/8-16 threaded inserts are installed for optional back panel
- Ultraguard® fiberglass material is easily punched, drilled or sawed
- UV stabilized for outdoor use

### ACCESSORIES

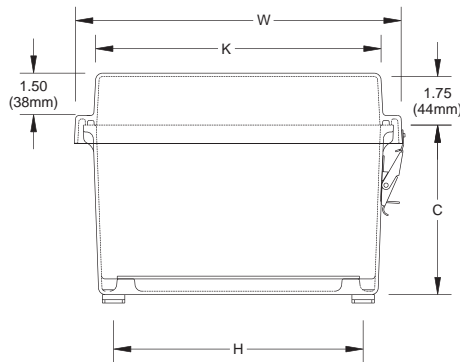
- Optional back panels (See table on pages 100-101.)
- Optional deadfront panel (See table on pages 100-101.)
- Optional thermal management products (See pages 102-103.)

### MODIFICATIONS

- Custom size holes and cutouts
- Custom size polycarbonate viewing windows
- Molded-in color matches
- EMI/RFI shielding
- Factory-supplied silk screening



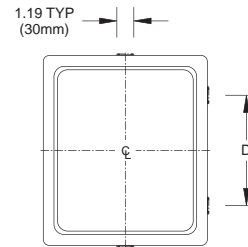
Note: Cover removed for clarity



Nominal 1/8" (3mm) wall thickness

LATCH LOCATIONS

For use on:  
 24x20x8 D=16.00 (406mm)      24x20x10 D=16.00 (406mm)  
 24x24x8 D=16.00 (406mm)      24x24x10 D=16.00 (406mm)  
 30x24x8 D=19.98 (507mm)      30x24x10 D=19.98 (507mm)

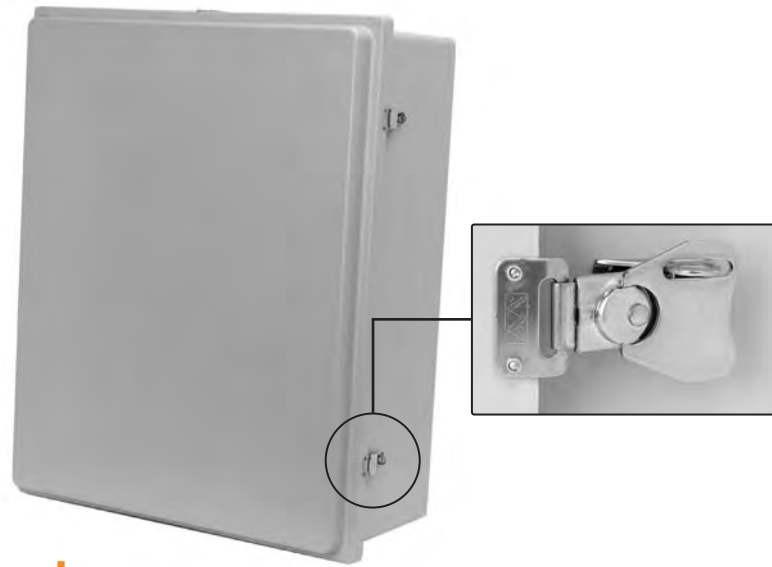


CONTROL SERIES

Part No.	Box Size			Usable Depth F	Panel Boss Centers		Foot Mount Centers		Cover Size				Window Dimension (height x width)
	A	B	C		S	Z	H	L	K	M	U	W	
AM24208RLW	24.00 610mm	20.00 508mm	8.13 207mm	8.56 217mm	19.25 489mm	15.25 387mm	18.75 476mm	26.85 682mm	20.16 512mm	24.16 614mm	25.59 650mm	21.59 548mm	16.00 X 12.00 406mm X 305mm
AM24248RLW	24.00 610mm	24.00 610mm	8.13 207mm	8.56 217mm	19.25 489mm	19.25 489mm	22.75 578mm	26.85 682mm	24.16 614mm	24.16 614mm	25.59 650mm	25.59 650mm	16.00 X 16.00 406mm X 406mm
AM30248RLW	30.00 762mm	24.00 610mm	8.13 207mm	8.56 217mm	25.25 641mm	19.25 489mm	22.75 578mm	32.85 834mm	24.16 614mm	30.16 766mm	31.59 802mm	25.59 650mm	23.00 X 17.00 584mm X 432mm
AM24200RLW	24.00 610mm	20.00 508mm	10.13 257mm	10.56 268mm	19.25 489mm	15.25 387mm	18.75 476mm	26.85 682mm	20.16 512mm	24.16 614mm	25.59 650mm	21.59 548mm	16.00 X 12.00 406mm X 305mm
AM24240RLW	24.00 610mm	24.00 610mm	10.13 257mm	10.56 268mm	19.25 489mm	19.25 489mm	22.75 578mm	26.85 682mm	24.16 614mm	24.16 614mm	25.59 650mm	25.59 650mm	16.00 X 16.00 406mm X 406mm
AM30240RLW	30.00 762mm	24.00 610mm	10.13 257mm	10.56 268mm	25.25 641mm	19.25 489mm	22.75 578mm	32.85 834mm	24.16 614mm	30.16 766mm	31.59 802mm	25.59 650mm	23.00 X 17.00 584mm X 432mm

All dimensions are in inches unless otherwise noted.





## Control Series: Twist Latch hinged Cover

### APPLICATION

- Designed to insulate and house electrical and electronic controls, instruments or components for indoor and outdoor applications
- Especially well suited for high temperature or corrosive environments
- Protects from dirt, dust, oil and water

### STANDARDS

- UL Types 1, 2, 3, 4, 4X, 12, and 13
- CSA Types 1, 2, 3, 3R, 4, 4X, 12 and 13
- NEMA Types 1, 2, 3, 3R, 4, 4X, 12 and 13
- IEC 60529 Type IP66
- Compliant with RoHS directive (Restriction of Hazardous Substances)

### CONSTRUCTION

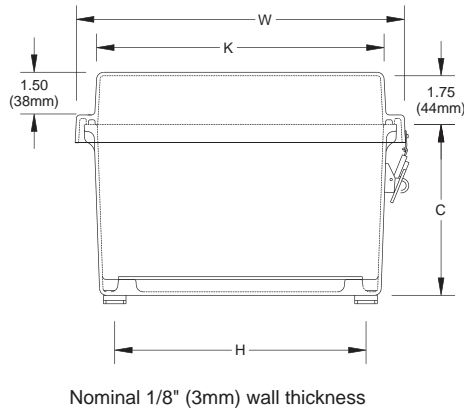
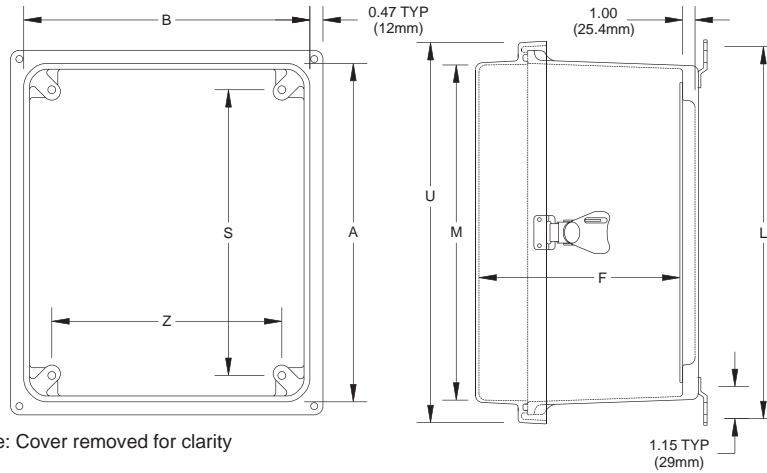
- Strong, molded Ultraguard® fiberglass reinforced polyester material construction with matching raised cover
- Full panel access
- All usable panel space
- 304 stainless steel twist latches feature padlock hasp
- Continuous stainless steel hinge
- Closed-cell neoprene gasket encased in a continuous channel
- 304 stainless steel wall mounting feet with 3/8-16 stainless steel screws included
- 3/8-16 threaded inserts are installed for optional back panel
- Ultraguard® fiberglass material is easily punched, drilled or sawed
- UV stabilized for outdoor use

### ACCESSORIES

- Optional back panels (See table on pages 100-101.)
- Optional deadfront panel (See table on pages 100-101.)
- Optional thermal management products (See pages 102-103.)

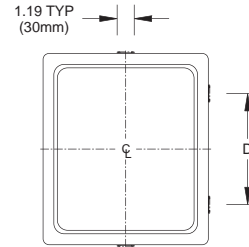
### MODIFICATIONS

- Custom size holes and cutouts
- Custom size polycarbonate viewing windows
- Molded-in color matches
- EMI/RFI shielding
- Factory-supplied silk screening



**LATCH LOCATIONS**

- For use on:
- 24x20x8 D=16.00 (406mm)
  - 24x24x8 D=16.00 (406mm)
  - 30x24x8 D=19.98 (507mm)
  - 24x20x10 D=16.00 (406mm)
  - 24x24x10 D=16.00 (406mm)
  - 30x24x10 D=19.98 (507mm)

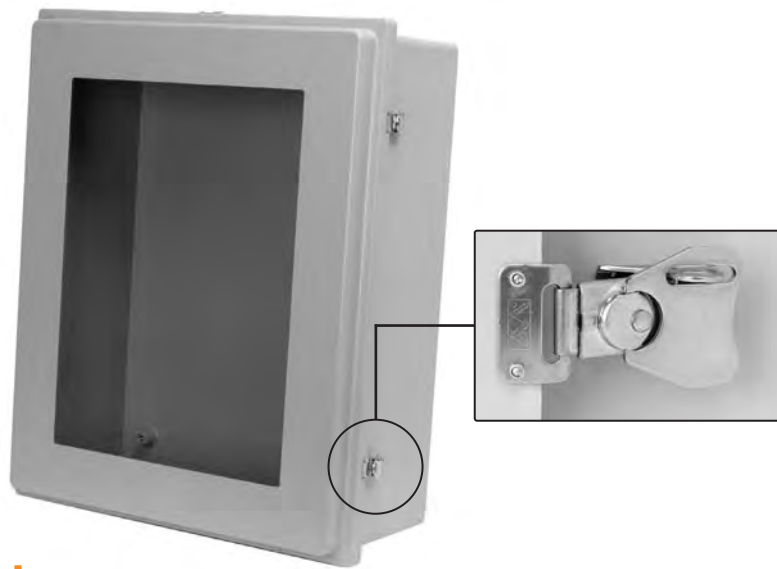


CONTROL SERIES

Part No.	Box Size			Usable Depth	Panel Boss Centers			Foot Mount Centers		Cover Size			
	A	B	C		F	S	Z	H	L	K	M	U	W
AM24208RT	24.00 610mm	20.00 508mm	8.13 207mm	8.56 217mm	19.25 489mm	15.25 387mm	18.75 476mm	26.85 682mm	20.16 512mm	24.16 614mm	25.59 650mm	21.59 548mm	
AM24248RT	24.00 610mm	24.00 610mm	8.13 207mm	8.56 217mm	19.25 489mm	19.25 489mm	22.75 578mm	26.85 682mm	24.16 614mm	24.16 614mm	25.59 650mm	25.59 650mm	
AM30248RT	30.00 762mm	24.00 610mm	8.13 207mm	8.56 217mm	25.25 641mm	19.25 489mm	22.75 578mm	32.85 834mm	24.16 614mm	30.16 766mm	31.59 802mm	25.59 650mm	
AM24200RT	24.00 610mm	20.00 508mm	10.13 257mm	10.56 268mm	19.25 489mm	15.25 387mm	18.75 476mm	26.85 682mm	20.16 512mm	24.16 614mm	25.59 650mm	21.59 548mm	
AM24240RT	24.00 610mm	24.00 610mm	10.13 257mm	10.56 268mm	19.25 489mm	19.25 489mm	22.75 578mm	26.85 682mm	24.16 614mm	24.16 614mm	25.59 650mm	25.59 650mm	
AM30240RT	30.00 762mm	24.00 610mm	10.13 257mm	10.56 268mm	25.25 641mm	19.25 489mm	22.75 578mm	32.85 834mm	24.16 614mm	30.16 766mm	31.59 802mm	25.59 650mm	

All dimensions are in inches unless otherwise noted.





## Control Series: Twist Latch hinged Cover with window

### APPLICATION

- Designed to insulate and house electrical and electronic controls, instruments or components for indoor and outdoor applications
- Especially well suited for high temperature or corrosive environments
- Protects from dirt, dust, oil and water
- Window unit provides viewing area for instrumentation or equipment

### STANDARDS

- UL Types 1, 2, 3, 4, 4X, 12, and 13
- CSA Types 1, 2, 3, 3R, 4, 4X, 12 and 13
- NEMA Types 1, 2, 3, 3R, 4, 4X, 12 and 13
- IEC 60529 Type IP66
- Compliant with RoHS directive (Restriction of Hazardous Substances)

### CONSTRUCTION

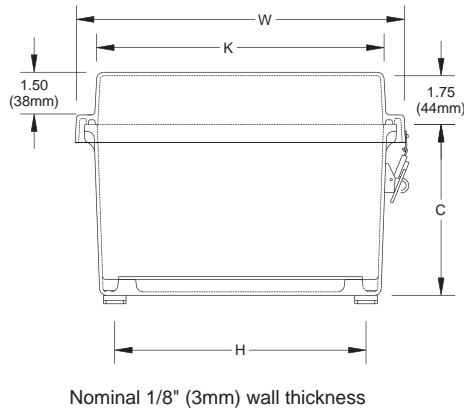
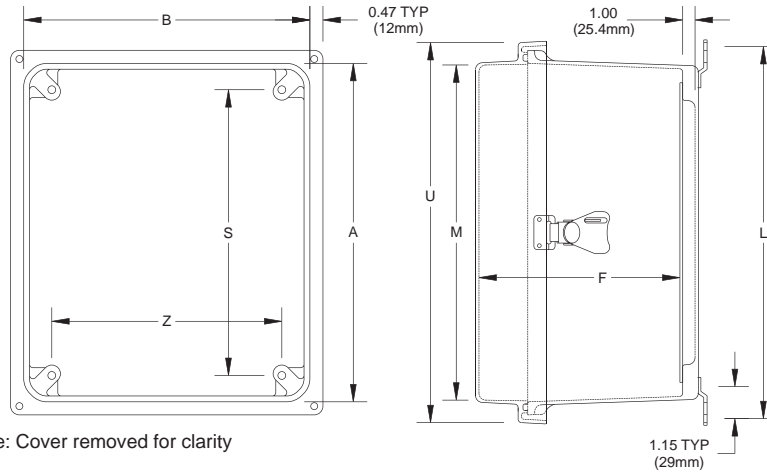
- Strong, molded Ultraguard® fiberglass reinforced polyester material construction with matching raised cover
- Full panel access
- All usable panel space
- UV resistant polycarbonate viewing window
- 304 stainless steel twist latches feature padlock hasp
- Continuous stainless steel hinge
- Closed-cell neoprene gasket encased in a continuous channel
- 304 stainless steel wall mounting feet with 3/8-16 stainless steel screws included
- 3/8-16 threaded inserts are installed for optional back panel
- Ultraguard® fiberglass material is easily punched, drilled or sawed
- UV stabilized for outdoor use

### ACCESSORIES

- Optional back panels (See table on pages 100-101.)
- Optional deadfront panel (See table on pages 100-101.)
- Optional thermal management products (See pages 102-103.)

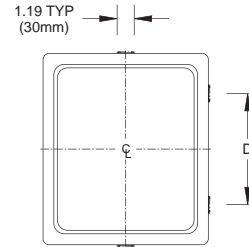
### MODIFICATIONS

- Custom size holes and cutouts
- Custom size polycarbonate viewing windows
- Molded-in color matches
- EMI/RFI shielding
- Factory-supplied silk screening



**LATCH LOCATIONS**

- For use on:
- 24x20x8 D=16.00 (406mm)
  - 24x24x8 D=16.00 (406mm)
  - 30x24x8 D=19.98 (507mm)
  - 24x20x10 D=16.00 (406mm)
  - 24x24x10 D=16.00 (406mm)
  - 30x24x10 D=19.98 (507mm)



CONTROL SERIES

Part No.	Box Size			Usable Depth F	Panel Boss Centers		Foot Mount Centers		Cover Size				Window Dimension (height x width)
	A	B	C		S	Z	H	L	K	M	U	W	
AM24208RTW	24.00 610mm	20.00 508mm	8.13 207mm	8.56 217mm	19.25 489mm	15.25 387mm	18.75 476mm	26.85 682mm	20.16 512mm	24.16 614mm	25.59 650mm	21.59 548mm	16.00 X 12.00 406mm X 305mm
AM24248RTW	24.00 610mm	24.00 610mm	8.13 207mm	8.56 217mm	19.25 489mm	19.25 489mm	22.75 578mm	26.85 682mm	24.16 614mm	24.16 614mm	25.59 650mm	25.59 650mm	16.00 X 16.00 406mm X 406mm
AM30248RTW	30.00 762mm	24.00 610mm	8.13 207mm	8.56 217mm	25.25 641mm	19.25 489mm	22.75 578mm	32.85 834mm	24.16 614mm	30.16 766mm	31.59 802mm	25.59 650mm	23.00 X 17.00 584mm X 432mm
AM24200RTW	24.00 610mm	20.00 508mm	10.13 257mm	10.56 268mm	19.25 489mm	15.25 387mm	18.75 476mm	26.85 682mm	20.16 512mm	24.16 614mm	25.59 650mm	21.59 548mm	16.00 X 12.00 406mm X 305mm
AM24240RTW	24.00 610mm	24.00 610mm	10.13 257mm	10.56 268mm	19.25 489mm	19.25 489mm	22.75 578mm	26.85 682mm	24.16 614mm	24.16 614mm	25.59 650mm	25.59 650mm	16.00 X 16.00 406mm X 406mm
AM30240RTW	30.00 762mm	24.00 610mm	10.13 257mm	10.56 268mm	25.25 641mm	19.25 489mm	22.75 578mm	32.85 834mm	24.16 614mm	30.16 766mm	31.59 802mm	25.59 650mm	23.00 X 17.00 584mm X 432mm

All dimensions are in inches unless otherwise noted.

