



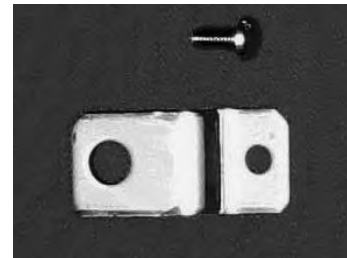
AM-R SERIES

The Am-R Series offers the same sizes and options as our Am series, with the added feature of a raised cover. The cover adds an additional 1 3/4" of depth to accommodate switches and other devices, and can be used with an optional hinged deadfront panel for maximum configuration flexibility within a single enclosure.

AM-R Series enclosures insulate and protect controls and components in both indoor and outdoor applications, including high temperature and/or corrosive environments. Available in standard JIC sizes with a variety of latching options for any application.

Am-R Series Features & Benefits

- Molded Ultraguard® fiberglass reinforced polyester material construction for durability
- Continuous stainless steel hinge
- Closed-cell neoprene gasket encased in continuous channel
- Raised cover for additional depth
- 304 stainless steel hardware and mounting feet
- Mounting panel inserts for optional back panel
- Optional hinged deadfront panels
- UV stabilized for outdoor use
- Continuous stainless steel hinge





Suitable Applications

- Electrical junctions
- Terminal wiring
- Electrical and electronic controls, instruments, components
- Housing pushbuttons, switches or other devices
- Other industrial control equipment

Am-R Series Specifications

- Non-corrosive
- Non-conductive
- Temperature-resistant
- Fire-resistant
- Rated NEMA 1, 2, 3, 3R, 4, 4X, 12, 13
- UL listed
- CSA certified
- Compliant with RoHS directive

Accessories

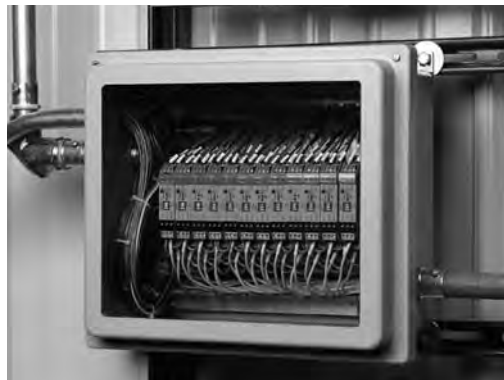
- Back panels available in painted carbon steel, aluminum, fiberglass, or galvanized steel
- Aluminum hinged deadfront panel for configuration flexibility
- UV resistant polycarbonate viewing windows
- Thermal management products

modifications

We are pleased to modify any of our standard products to fit your needs. We have the lowest volume requirements on custom work in the industry, and quick turnaround time.

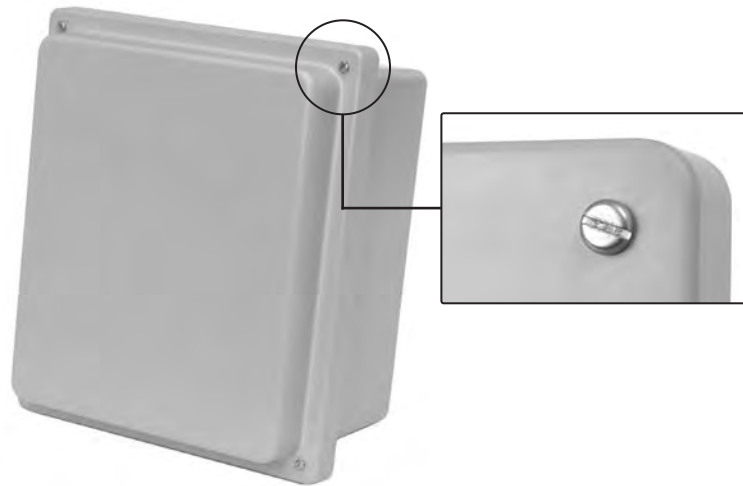
We can modify any of our AM-R Series enclosures with:

- Custom size holes and cutouts
- Custom size polycarbonate viewing windows
- Molded-in color matches



- Hinge installed on short side
- EMI/RFI shielding
- Factory-supplied silk screening

For complete details on factory modifications including a modification request form, see pages 106-108.



Am-R Series JIC Size Junction Boxes: Lift-Off Screw Cover

APPLICATION

- Designed to insulate and house electrical and electronic controls, instruments or components for indoor and outdoor applications
- Especially well suited for high temperature or corrosive environments
- Protects from dirt, dust, oil and water

STANDARDS

- UL Types 1, 2, 3, 4, 4X, 12, and 13
- CSA Types 1, 2, 3, 3R, 4, 4X, 12 and 13
- NEMA Types 1, 2, 3, 3R, 4, 4X, 12 and 13
- IEC 60529 Type IP66
- Compliant with RoHS directive (Restriction of Hazardous Substances)

CONSTRUCTION

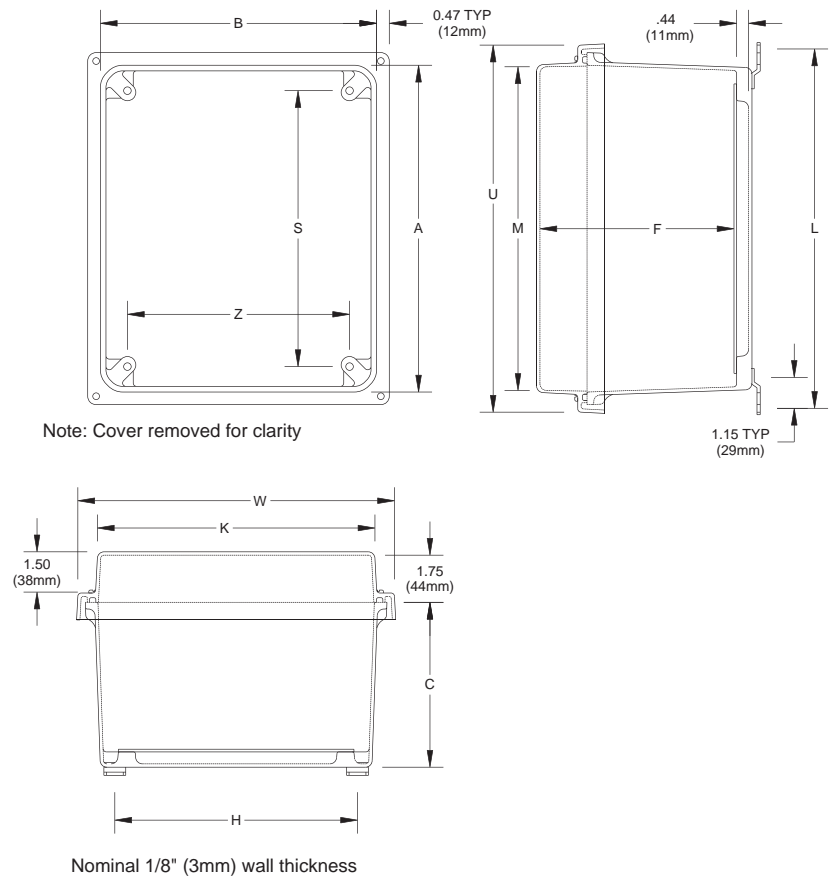
- Strong, molded Ultraguard® fiberglass reinforced polyester material construction with matching raised cover
- 304 stainless steel captive cover screws
- Gasket made of closed-cell neoprene cord encased in a continuous channel
- 304 stainless steel wall mounting feet with 10-32 stainless steel screws included
- 10-32 threaded inserts are installed for optional back panel
- JIC sizing
- Ultraguard® fiberglass material is easily punched, drilled or sawed
- UV stabilized for outdoor use

ACCESSORIES

- Optional back panels (See table on pages 100-101.)
- Optional deadfront panel (See table on pages 100-101.)
- Optional thermal management products (See pages 102-103.)

MODIFICATIONS

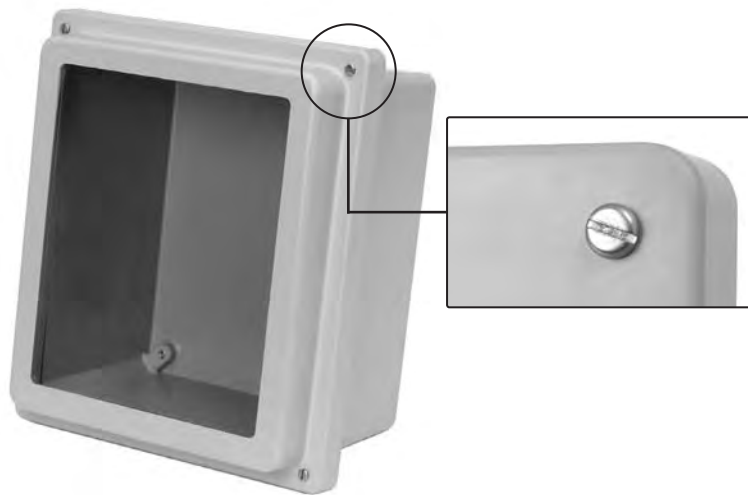
- Custom size holes and cutouts
- Custom size polycarbonate viewing windows
- Molded-in color matches
- Hinge installed on short side
- EMI/RFI shielding
- Factory-supplied silk screening



Part No.	Box Size			Usable Depth	Panel Boss Centers			Foot Mount Centers		Cover Size			
	A	B	C		F	S	Z	H	L	K	M	U	W
AM664R	6.10 155mm	6.10 155mm	4.18 106mm	5.26 134mm	4.25 108mm	4.25 108mm	5.01 127mm	7.32 186mm	6.08 154mm	6.08 154mm	7.69 195mm	7.69 195mm	
AM864R	8.00 203mm	6.13 156mm	4.13 105mm	5.21 132mm	6.25 159mm	4.25 108mm	5.01 127mm	9.19 233mm	6.11 155mm	7.98 203mm	9.59 244mm	7.71 196mm	
AM1084R	10.14 258mm	8.26 210mm	4.13 105mm	5.21 132mm	8.25 210mm	6.25 159mm	7.01 178mm	11.19 284mm	8.44 214mm	10.32 262mm	11.73 298mm	9.85 250mm	
AM1086R	10.14 258mm	8.26 210mm	6.13 156mm	7.21 183mm	8.25 210mm	6.25 159mm	7.01 178mm	11.19 284mm	8.44 214mm	10.32 262mm	11.73 298mm	9.85 250mm	
AM1206R	12.14 308mm	10.26 261mm	6.13 156mm	7.21 183mm	10.25 260mm	8.25 210mm	9.01 229mm	13.19 335mm	10.45 265mm	12.32 313mm	13.73 349mm	11.85 301mm	
AM1426R	14.13 359mm	12.26 311mm	6.13 156mm	7.21 183mm	12.25 311mm	10.25 260mm	11.01 280mm	15.19 386mm	12.45 316mm	14.32 364mm	15.73 400mm	13.85 352mm	
AM1648R	16.27 413mm	14.40 366mm	8.13 207mm	9.21 234mm	14.25 362mm	12.25 311mm	13.01 330mm	17.19 437mm	13.86 352mm	15.73 400mm	17.87 454mm	15.99 406mm	
AM1868R	18.40 467mm	16.40 417mm	8.13 207mm	9.21 234mm	16.25 413mm	14.25 362mm	14.97 380mm	19.28 490mm	15.86 403mm	17.86 454mm	20.00 508mm	18.00 457mm	
AM2068R	20.00 508mm	16.00 406mm	8.13 207mm	9.21 234mm	17.81 452mm	13.81 351mm	14.54 369mm	20.84 529mm	15.43 392mm	19.43 494mm	21.59 548mm	17.59 447mm	

All dimensions are in inches unless otherwise noted.





Am-R Series JIC Size Junction Boxes: Lift-Off Screw Cover with window

APPLICATION

- Designed to insulate and house electrical and electronic controls, instruments or components for indoor and outdoor applications
- Especially well suited for high temperature or corrosive environments
- Protects from dirt, dust, oil and water
- Window unit provides viewing area for instrumentation or equipment

STANDARDS

- UL Types 1, 2, 3, 4, 4X, 12, and 13
- CSA Types 1, 2, 3, 3R, 4, 4X, 12 and 13
- NEMA Types 1, 2, 3, 3R, 4, 4X, 12 and 13
- IEC 60529 Type IP66
- Compliant with RoHS directive (Restriction of Hazardous Substances)

CONSTRUCTION

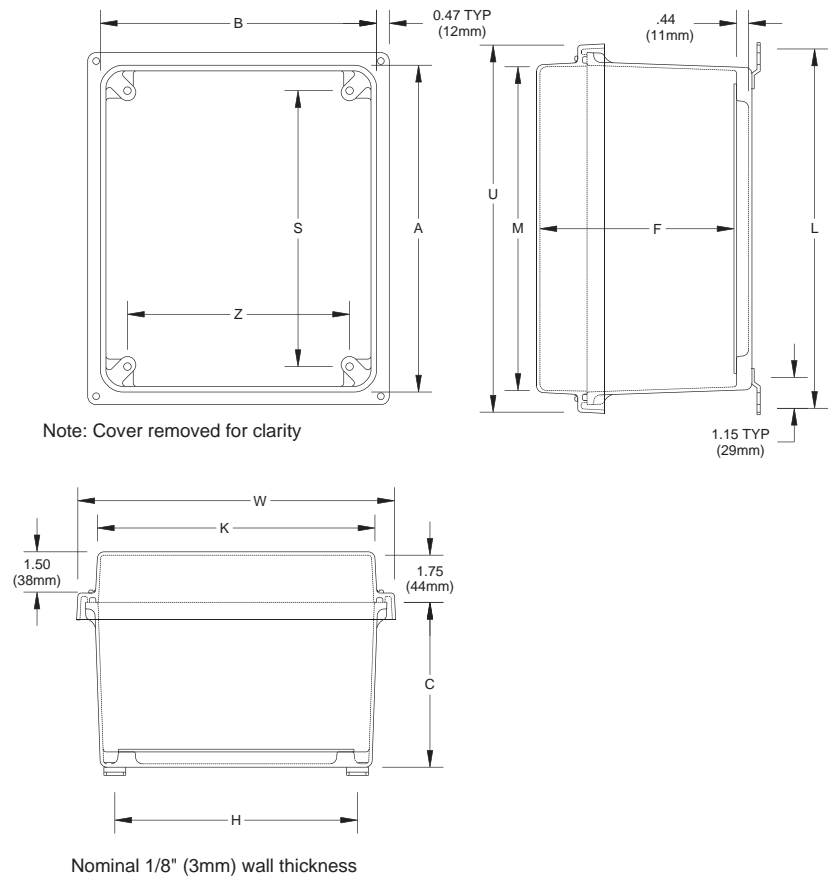
- Strong, molded Ultraguard® fiberglass reinforced polyester material construction with matching raised cover
- UV resistant polycarbonate viewing window
- 304 stainless steel captive cover screws
- Gasket made of closed-cell neoprene cord encased in a continuous channel
- 304 stainless steel wall mounting feet with 10-32 stainless steel screws included
- 10-32 threaded inserts are installed for optional back panel
- JIC sizing
- Ultraguard® fiberglass material is easily punched, drilled or sawed
- UV stabilized for outdoor use

ACCESSORIES

- Optional back panels (See table on pages 100-101.)
- Optional deadfront panel (See table on pages 100-101.)
- Optional thermal management products (See pages 102-103.)

MODIFICATIONS

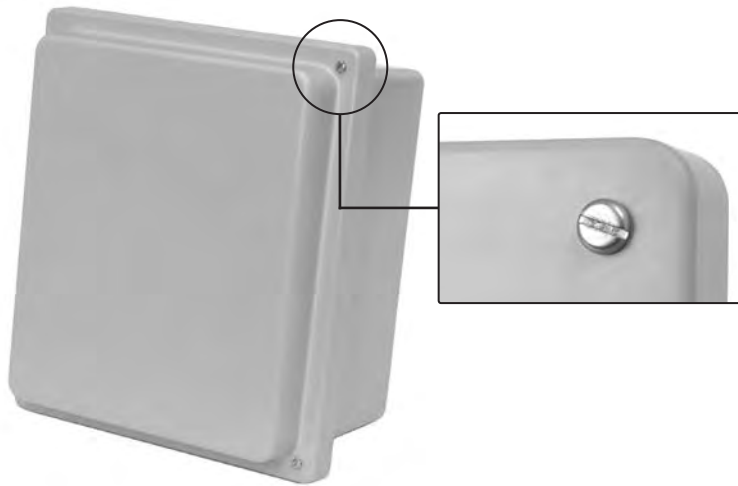
- Custom size holes and cutouts
- Custom size polycarbonate viewing windows
- Molded-in color matches
- Hinge installed on short side
- EMI/RFI shielding
- Factory-supplied silk screening



Part No.	Box Size			Usable Depth F	Panel Boss Centers			Foot Mount Centers		Cover Size				Window Dimension (height x width)
	A	B	C		S	Z	H	L	K	M	U	W		
AM664RW	6.10 155mm	6.10 155mm	4.18 106mm	5.26 134mm	4.25 108mm	4.25 108mm	5.01 127mm	7.32 186mm	6.08 154mm	6.08 154mm	7.69 195mm	7.69 195mm	4.25 X 4.25 108mm X 108mm	
AM864RW	8.00 203mm	6.13 156mm	4.13 105mm	5.21 132mm	6.25 159mm	4.25 108mm	5.01 127mm	9.19 233mm	6.11 155mm	7.98 203mm	9.59 244mm	7.71 196mm	6.25 X 4.25 159mm X 108mm	
AM1084RW	10.14 258mm	8.26 210mm	4.13 105mm	5.21 132mm	8.25 210mm	6.25 159mm	7.01 178mm	11.19 284mm	8.44 214mm	10.32 262mm	11.73 298mm	9.85 250mm	8.38 X 6.50 213mm X 159mm	
AM1086RW	10.14 258mm	8.26 210mm	6.13 156mm	7.21 183mm	8.25 210mm	6.25 159mm	7.01 178mm	11.19 284mm	8.44 214mm	10.32 262mm	11.73 298mm	9.85 250mm	8.38 X 6.50 213mm X 159mm	
AM1206RW	12.14 308mm	10.26 261mm	6.13 156mm	7.21 183mm	10.25 260mm	8.25 210mm	9.01 229mm	13.19 335mm	10.45 265mm	12.32 313mm	13.73 349mm	11.85 301mm	10.38 X 8.50 264mm X 216mm	
AM1426RW	14.13 359mm	12.26 311mm	6.13 156mm	7.21 183mm	12.25 311mm	10.25 260mm	11.01 280mm	15.19 386mm	12.45 316mm	14.32 364mm	15.73 400mm	13.85 352mm	12.38 X 10.50 314mm X 267mm	
AM1648RW	16.27 413mm	14.40 366mm	8.13 207mm	9.21 234mm	14.25 362mm	12.25 311mm	13.01 330mm	17.19 437mm	13.86 352mm	15.73 400mm	17.87 454mm	15.99 406mm	13.00 X 11.00 330mm X 279mm	
AM1868RW	18.40 467mm	16.40 417mm	8.13 207mm	9.21 234mm	16.25 413mm	14.25 362mm	14.97 380mm	19.28 490mm	15.86 403mm	17.86 454mm	20.00 508mm	18.00 457mm	14.00 X 12.00 356mm X 305mm	
AM2068RW	20.00 508mm	16.00 406mm	8.13 207mm	9.21 234mm	17.81 452mm	13.81 351mm	14.54 369mm	20.84 529mm	15.43 392mm	19.43 494mm	21.59 548mm	17.59 447mm	15.00 X 11.00 381mm X 279mm	

All dimensions are in inches unless otherwise noted.





Am-R Series JIC Size Junction Boxes: hinged Screw Cover

APPLICATION

- Designed to insulate and house electrical and electronic controls, instruments or components for indoor and outdoor applications
- Especially well suited for high temperature or corrosive environments
- Protects from dirt, dust, oil and water

STANDARDS

- UL Types 1, 2, 3, 4, 4X, 12, and 13
- CSA Types 1, 2, 3, 3R, 4, 4X, 12 and 13
- NEMA Types 1, 2, 3, 3R, 4, 4X, 12 and 13
- IEC 60529 Type IP66
- Compliant with RoHS directive (Restriction of Hazardous Substances)

CONSTRUCTION

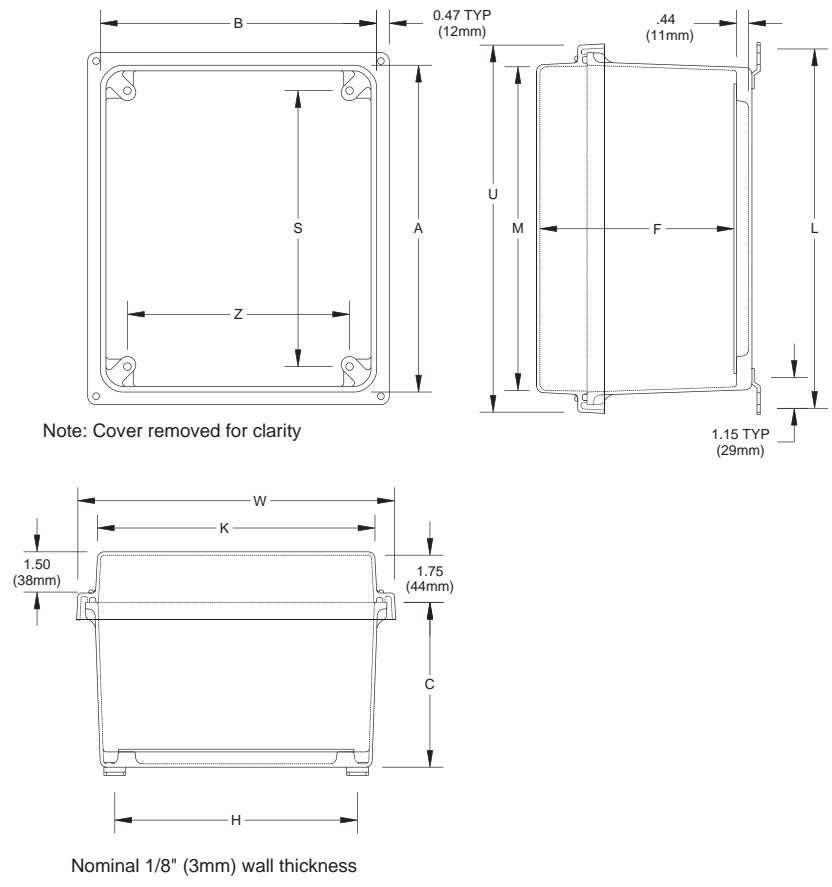
- Strong, molded Ultraguard® fiberglass reinforced polyester material construction with matching raised cover
- 304 stainless steel captive cover screws
- Continuous stainless steel hinge
- Gasket made of closed-cell neoprene cord encased in a continuous channel
- 304 stainless steel wall mounting feet with 10-32 stainless steel screws included
- 10-32 threaded inserts are installed for optional back panel
- JIC sizing
- Ultraguard® fiberglass material is easily punched, drilled or sawed
- UV stabilized for outdoor use

ACCESSORIES

- Optional back panels (See table on pages 100-101.)
- Optional deadfront panel (See table on pages 100-101.)
- Optional thermal management products (See pages 102-103.)

MODIFICATIONS

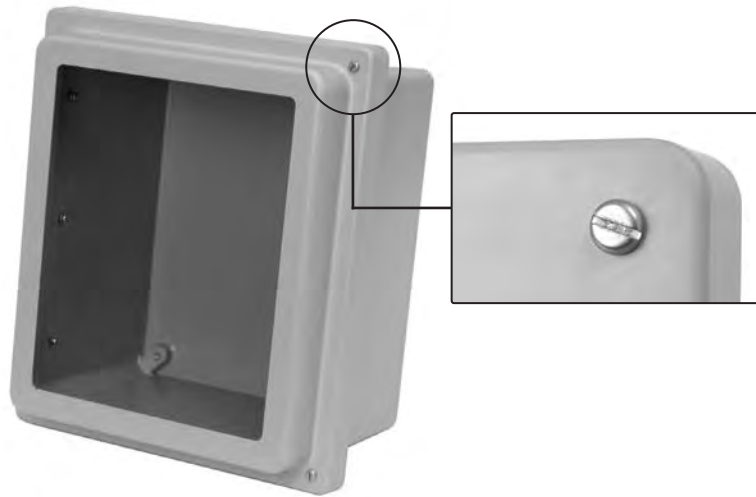
- Custom size holes and cutouts
- Custom size polycarbonate viewing windows
- Molded-in color matches
- Hinge installed on short side
- EMI/RFI shielding
- Factory-supplied silk screening



Part No.	Box Size			Usable Depth	Panel Boss Centers			Foot Mount Centers		Cover Size			
	A	B	C		F	S	Z	H	L	K	M	U	W
AM664RH	6.10 155mm	6.10 155mm	4.18 106mm	5.26 134mm	4.25 108mm	4.25 108mm	5.01 127mm	7.32 186mm	6.08 154mm	6.08 154mm	7.69 195mm	7.69 195mm	
AM864RH	8.00 203mm	6.13 156mm	4.13 105mm	5.21 132mm	6.25 159mm	4.25 108mm	5.01 127mm	9.19 233mm	6.11 155mm	7.98 203mm	9.59 244mm	7.71 196mm	
AM1084RH	10.14 258mm	8.26 210mm	4.13 105mm	5.21 132mm	8.25 210mm	6.25 159mm	7.01 178mm	11.19 284mm	8.44 214mm	10.32 262mm	11.73 298mm	9.85 250mm	
AM1086RH	10.14 258mm	8.26 210mm	6.13 156mm	7.21 183mm	8.25 210mm	6.25 159mm	7.01 178mm	11.19 284mm	8.44 214mm	10.32 262mm	11.73 298mm	9.85 250mm	
AM1206RH	12.14 308mm	10.26 261mm	6.13 156mm	7.21 183mm	10.25 260mm	8.25 210mm	9.01 229mm	13.19 335mm	10.45 265mm	12.32 313mm	13.73 349mm	11.85 301mm	
AM1426RH	14.13 359mm	12.26 311mm	6.13 156mm	7.21 183mm	12.25 311mm	10.25 260mm	11.01 280mm	15.19 386mm	12.45 316mm	14.32 364mm	15.73 400mm	13.85 352mm	
AM1648RH	16.27 413mm	14.40 366mm	8.13 207mm	9.21 234mm	14.25 362mm	12.25 311mm	13.01 330mm	17.19 437mm	13.86 352mm	15.73 400mm	17.87 454mm	15.99 406mm	
AM1868RH	18.40 467mm	16.40 417mm	8.13 207mm	9.21 234mm	16.25 413mm	14.25 362mm	14.97 380mm	19.28 490mm	15.86 403mm	17.86 454mm	20.00 508mm	18.00 457mm	
AM2068RH	20.00 508mm	16.00 406mm	8.13 207mm	9.21 234mm	17.81 452mm	13.81 351mm	14.54 369mm	20.84 529mm	15.43 392mm	19.43 494mm	21.59 548mm	17.59 447mm	

All dimensions are in inches unless otherwise noted.





Am-R Series JIC Size Junction Boxes: hinged Screw Cover with window

APPLICATION

- Designed to insulate and house electrical and electronic controls, instruments or components for indoor and outdoor applications
- Especially well suited for high temperature or corrosive environments
- Protects from dirt, dust, oil and water
- Window unit provides viewing area for instrumentation or equipment

STANDARDS

- UL Types 1, 2, 3, 4, 4X, 12, and 13
- CSA Types 1, 2, 3, 3R, 4, 4X, 12 and 13
- NEMA Types 1, 2, 3, 3R, 4, 4X, 12 and 13
- IEC 60529 Type IP66
- Compliant with RoHS directive (Restriction of Hazardous Substances)

CONSTRUCTION

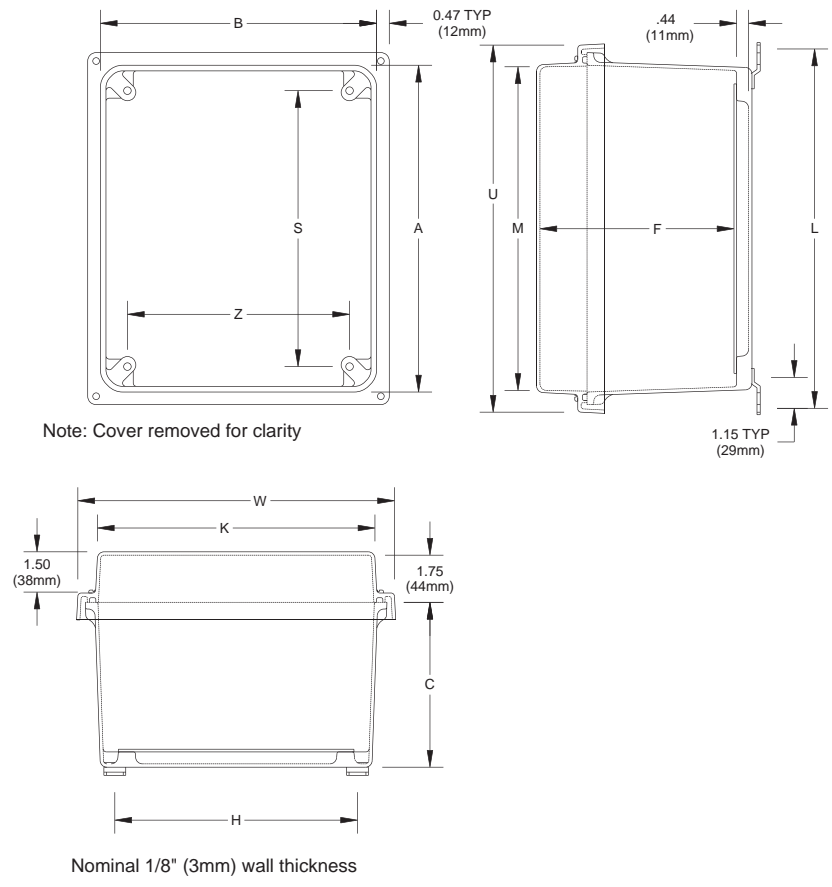
- Strong, molded Ultraguard® fiberglass reinforced polyester material construction with matching raised cover
- UV resistant polycarbonate viewing window
- 304 stainless steel captive cover screws
- Continuous stainless steel hinge
- Gasket made of closed-cell neoprene cord encased in a continuous channel
- 304 stainless steel wall mounting feet with 10-32 stainless steel screws included
- 10-32 threaded inserts are installed for optional back panel
- JIC sizing
- Ultraguard® fiberglass material is easily punched, drilled or sawed
- UV stabilized for outdoor use

ACCESSORIES

- Optional back panels (See table on pages 100-101.)
- Optional deadfront panel (See table on pages 100-101.)
- Optional thermal management products (See pages 102-103.)

MODIFICATIONS

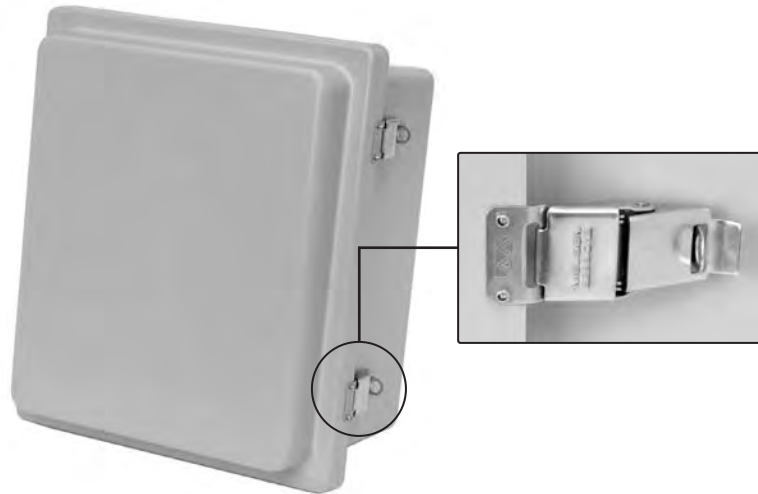
- Custom size holes and cutouts
- Custom size polycarbonate viewing windows
- Molded-in color matches
- Hinge installed on short side
- EMI/RFI shielding
- Factory-supplied silk screening



Part No.	Box Size			Usable Depth F	Panel Boss Centers		Foot Mount Centers		Cover Size				Window Dimension (height x width)
	A	B	C		S	Z	H	L	K	M	U	W	
AM664RHW	6.10 155mm	6.10 155mm	4.18 106mm	5.26 134mm	4.25 108mm	4.25 108mm	5.01 127mm	7.32 186mm	6.08 154mm	6.08 154mm	7.69 195mm	7.69 195mm	4.25 X 4.25 108mm X 108mm
AM864RHW	8.00 203mm	6.13 156mm	4.13 105mm	5.21 132mm	6.25 159mm	4.25 108mm	5.01 127mm	9.19 233mm	6.11 155mm	7.98 203mm	9.59 244mm	7.71 196mm	6.25 X 4.25 159mm X 108mm
AM1084RHW	10.14 258mm	8.26 210mm	4.13 105mm	5.21 132mm	8.25 210mm	6.25 159mm	7.01 178mm	11.19 284mm	8.44 214mm	10.32 262mm	11.73 298mm	9.85 250mm	8.38 X 6.50 213mm X 159mm
AM1086RHW	10.14 258mm	8.26 210mm	6.13 156mm	7.21 183mm	8.25 210mm	6.25 159mm	7.01 178mm	11.19 284mm	8.44 214mm	10.32 262mm	11.73 298mm	9.85 250mm	8.38 X 6.50 213mm X 159mm
AM1206RHW	12.14 308mm	10.26 261mm	6.13 156mm	7.21 183mm	10.25 260mm	8.25 210mm	9.01 229mm	13.19 335mm	10.45 265mm	12.32 313mm	13.73 349mm	11.85 301mm	10.38 X 8.50 264mm X 216mm
AM1426RHW	14.13 359mm	12.26 311mm	6.13 156mm	7.21 183mm	12.25 311mm	10.25 260mm	11.01 280mm	15.19 386mm	12.45 316mm	14.32 364mm	15.73 400mm	13.85 352mm	12.38 X 10.50 314mm X 267mm
AM1648RHW	16.27 413mm	14.40 366mm	8.13 207mm	9.21 234mm	14.25 362mm	12.25 311mm	13.01 330mm	17.19 437mm	13.86 352mm	15.73 400mm	17.87 454mm	15.99 406mm	13.00 X 11.00 330mm X 279mm
AM1868RHW	18.40 467mm	16.40 417mm	8.13 207mm	9.21 234mm	16.25 413mm	14.25 362mm	14.97 380mm	19.28 490mm	15.86 403mm	17.86 454mm	20.00 508mm	18.00 457mm	14.00 X 12.00 356mm X 305mm
AM2068RHW	20.00 508mm	16.00 406mm	8.13 207mm	9.21 234mm	17.81 452mm	13.81 351mm	14.54 369mm	20.84 529mm	15.43 392mm	19.43 494mm	21.59 548mm	17.59 447mm	15.00 X 11.00 381mm X 279mm

All dimensions are in inches unless otherwise noted.





Am-R Series JIC Size Junction Boxes: Snap Latch hinged Cover

APPLICATION

- Designed to insulate and house electrical and electronic controls, instruments or components for indoor and outdoor applications
- Especially well suited for high temperature or corrosive environments
- Protects from dirt, dust, oil and water

STANDARDS

- UL Types 1, 2, 3, 4, 4X, 12, and 13
- CSA Types 1, 2, 3, 3R, 4, 4X, 12 and 13
- NEMA Types 1, 2, 3, 3R, 4, 4X, 12 and 13
- IEC 60529 Type IP66
- Compliant with RoHS directive (Restriction of Hazardous Substances)

CONSTRUCTION

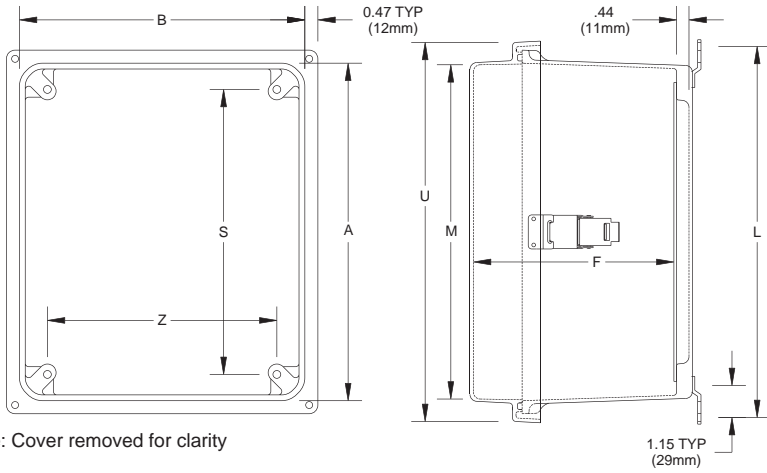
- Strong, molded Ultraguard® fiberglass reinforced polyester material construction with matching raised cover
- 304 stainless steel snap latches feature padlock hasp
- Continuous stainless steel hinge
- Gasket made of closed-cell neoprene cord encased in a continuous channel
- 304 stainless steel wall mounting feet with 10-32 stainless steel screws included
- 10-32 threaded inserts are installed for optional back panel
- JIC sizing
- Ultraguard® fiberglass material is easily punched, drilled or sawed
- UV stabilized for outdoor use

ACCESSORIES

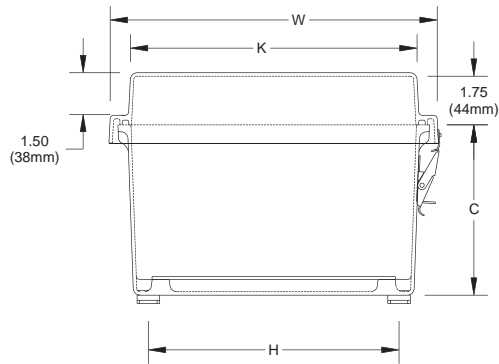
- Optional back panels (See table on pages 100-101.)
- Optional deadfront panel (See table on pages 100-101.)
- Optional thermal management products (See pages 102-103.)

MODIFICATIONS

- Custom size holes and cutouts
- Custom size polycarbonate viewing windows
- Molded-in color matches
- Hinge installed on short side
- EMI/RFI shielding
- Factory-supplied silk screening



Note: Cover removed for clarity



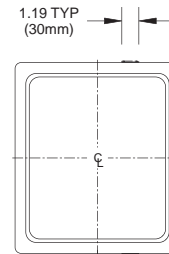
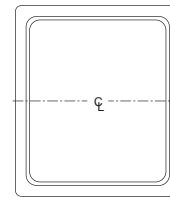
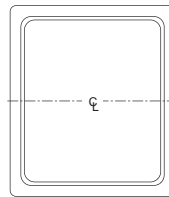
Nominal 1/8" (3mm) wall thickness

LATCH LOCATIONS

For use on
6x6x4
8x6x4
10x8x4
10x8x6

For use on
12x10x6 D=8.00 (203mm)
14x12x6 D=8.54 (217mm)
16x14x8 D=8.54 (217mm)

For use on
18x16x8 D=6.50 (165mm)
20x16x8 D=10.52 (267mm)

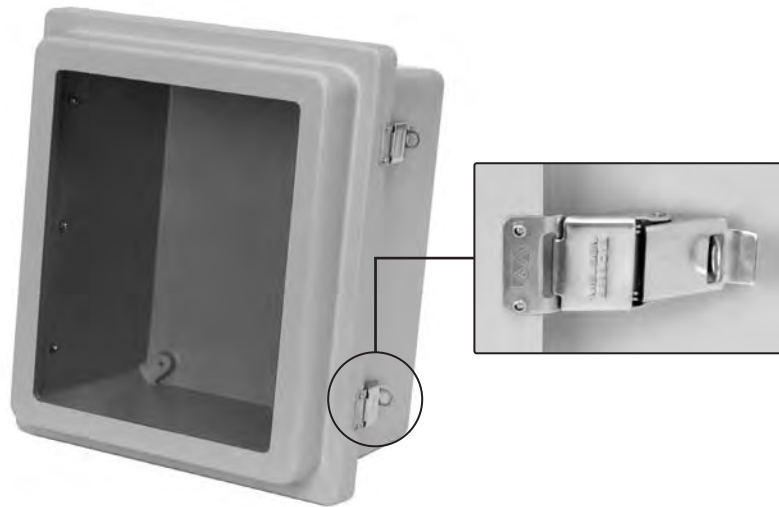


1.50 TYP (38mm)

Part No.	Box Size			Usable Depth	Panel Boss Centers			Foot Mount Centers		Cover Size			
	A	B	C		F	S	Z	H	L	K	M	U	W
AM664RL	6.10 155mm	6.10 155mm	4.18 106mm	5.26 134mm	4.25 108mm	4.25 108mm	5.01 127mm	7.32 186mm	6.08 154mm	6.08 154mm	7.69 195mm	7.69 195mm	
AM864RL	8.00 203mm	6.13 156mm	4.13 105mm	5.21 132mm	6.25 159mm	4.25 108mm	5.01 127mm	9.19 233mm	6.11 155mm	7.98 203mm	9.59 244mm	7.71 196mm	
AM1084RL	10.14 258mm	8.26 210mm	4.13 105mm	5.21 132mm	8.25 210mm	6.25 159mm	7.01 178mm	11.19 284mm	8.44 214mm	10.32 262mm	11.73 298mm	9.85 252mm	
AM1086RL	10.14 258mm	8.26 210mm	6.13 156mm	7.21 183mm	8.25 210mm	6.25 159mm	7.01 178mm	11.19 284mm	8.44 214mm	10.32 262mm	11.73 298mm	9.85 250mm	
AM1206RL	12.14 308mm	10.26 261mm	6.13 156mm	7.21 183mm	10.25 260mm	8.25 210mm	9.01 229mm	13.19 335mm	10.45 265mm	12.32 313mm	13.73 349mm	11.85 301mm	
AM1426RL	14.13 359mm	12.26 311mm	6.13 156mm	7.21 183mm	12.25 311mm	10.25 260mm	11.01 280mm	15.19 386mm	12.45 316mm	14.32 364mm	15.73 400mm	13.85 352mm	
AM1648RL	16.27 413mm	14.40 366mm	8.13 207mm	9.21 234mm	14.25 362mm	12.25 311mm	13.01 330mm	17.19 437mm	13.86 352mm	15.73 400mm	17.87 454mm	15.99 406mm	
AM1868RL	18.40 467mm	16.40 417mm	8.13 207mm	9.21 234mm	16.25 413mm	14.25 362mm	14.97 380mm	19.28 490mm	15.86 403mm	17.86 454mm	20.00 508mm	18.00 457mm	
AM2068RL	20.00 508mm	16.00 406mm	8.13 207mm	9.21 234mm	17.81 452mm	13.81 351mm	14.54 369mm	20.84 529mm	15.43 392mm	19.43 494mm	21.59 548mm	17.59 447mm	

All dimensions are in inches unless otherwise noted.





Am-R Series JIC Size Junction Boxes: Snap Latch hinged Cover with window

APPLICATION

- Designed to insulate and house electrical and electronic controls, instruments or components for indoor and outdoor applications
- Especially well suited for high temperature or corrosive environments
- Protects from dirt, dust, oil and water
- Window unit provides viewing area for instrumentation or equipment

STANDARDS

- UL Types 1, 2, 3, 4, 4X, 12, and 13
- CSA Types 1, 2, 3, 3R, 4, 4X, 12 and 13
- NEMA Types 1, 2, 3, 3R, 4, 4X, 12 and 13
- IEC 60529 Type IP66
- Compliant with RoHS directive (Restriction of Hazardous Substances)

CONSTRUCTION

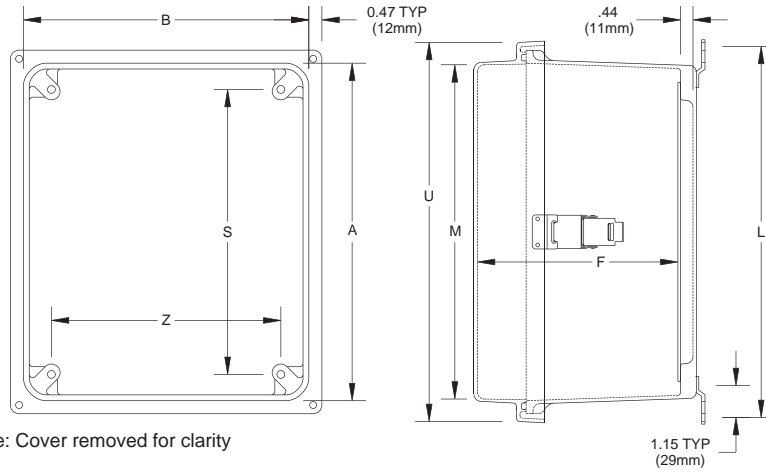
- Strong, molded Ultraguard® fiberglass reinforced polyester material construction with matching raised cover
- UV resistant polycarbonate viewing window
- 304 stainless steel snap latches feature padlock hasp
- Continuous stainless steel hinge
- Gasket made of closed-cell neoprene cord encased in a continuous channel
- 304 stainless steel wall mounting feet with 10-32 stainless steel screws included
- 10-32 threaded inserts are installed for optional back panel
- JIC sizing
- Ultraguard® fiberglass material is easily punched, drilled or sawed
- UV stabilized for outdoor use

ACCESSORIES

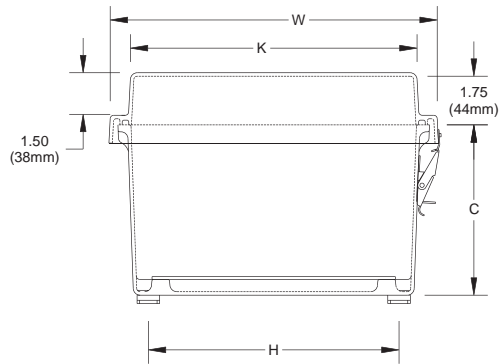
- Optional back panels (See table on pages 100-101.)
- Optional deadfront panel (See table on pages 100-101.)
- Optional thermal management products (See pages 102-103.)

MODIFICATIONS

- Custom size holes and cutouts
- Custom size polycarbonate viewing windows
- Molded-in color matches
- Hinge installed on short side
- EMI/RFI shielding
- Factory-supplied silk screening



Note: Cover removed for clarity



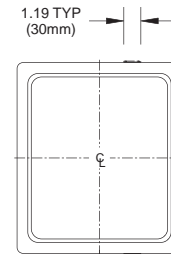
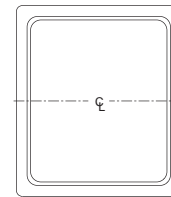
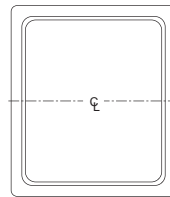
Nominal 1/8" (3mm) wall thickness

LATCH LOCATIONS

For use on
6x6x4
8x6x4
10x8x4
10x8x6

For use on
12x10x6 D=8.00 (203mm)
14x12x6 D=8.54 (217mm)
16x14x8 D=8.54 (217mm)

For use on
18x16x8 D=6.50 (165mm)
20x16x8 D=10.52 (267mm)

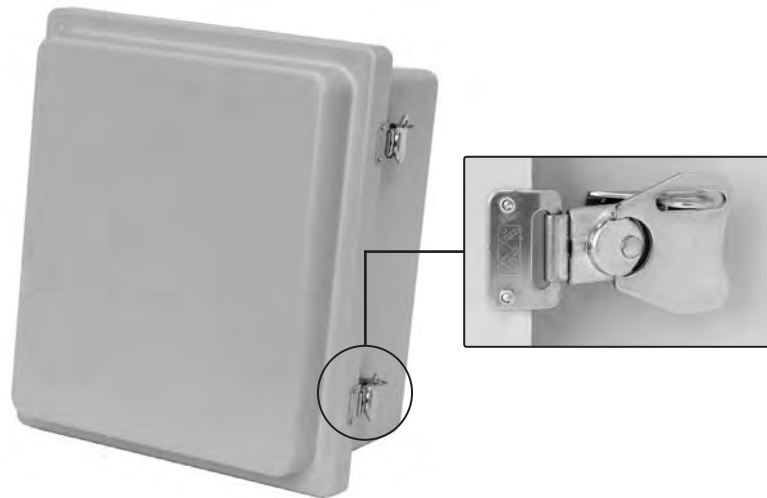


1.50 TYP (38mm)

Part No.	Box Size			Usable Depth F	Panel Boss Centers		Foot Mount Centers		Cover Size				Window Dimension (height x width)
	A	B	C		S	Z	H	L	K	M	U	W	
AM664RLW	6.10 155mm	6.10 155mm	4.18 106mm	5.26 134mm	4.25 108mm	4.25 108mm	5.01 127mm	7.32 186mm	6.08 154mm	6.08 154mm	7.69 195mm	7.69 195mm	4.25 X 4.25 108mm X 108mm
AM864RLW	8.00 203mm	6.13 156mm	4.13 105mm	5.21 132mm	6.25 159mm	4.25 108mm	5.01 127mm	9.19 233mm	6.11 155mm	7.98 203mm	9.59 244mm	7.71 196mm	6.25 X 4.25 159mm X 108mm
AM1084RLW	10.14 258mm	8.26 210mm	4.13 105mm	5.21 132mm	8.25 210mm	6.25 159mm	7.01 178mm	11.19 284mm	8.44 214mm	10.32 262mm	11.73 298mm	9.85 250mm	8.38 X 6.50 213mm X 159mm
AM1086RLW	10.14 258mm	8.26 210mm	6.13 156mm	7.21 183mm	8.25 210mm	6.25 159mm	7.01 178mm	11.19 284mm	8.44 214mm	10.32 262mm	11.73 298mm	9.85 250mm	8.38 X 6.50 213mm X 159mm
AM1206RLW	12.14 308mm	10.26 261mm	6.13 156mm	7.21 183mm	10.25 260mm	8.25 210mm	9.01 229mm	13.19 335mm	10.45 265mm	12.32 313mm	13.73 349mm	11.85 301mm	10.38 X 8.50 264mm X 216mm
AM1426RLW	14.13 359mm	12.26 311mm	6.13 156mm	7.21 183mm	12.25 311mm	10.25 260mm	11.01 280mm	15.19 386mm	12.45 316mm	14.32 364mm	15.73 400mm	13.85 352mm	12.38 X 10.50 314mm X 267mm
AM1648RLW	16.27 413mm	14.40 366mm	8.13 207mm	9.21 234mm	14.25 362mm	12.25 311mm	13.01 330mm	17.19 437mm	13.86 352mm	15.73 400mm	17.87 454mm	15.99 406mm	13.00 X 11.00 330mm X 279mm
AM1868RLW	18.40 467mm	16.40 417mm	8.13 207mm	9.21 234mm	16.25 413mm	14.25 362mm	14.97 380mm	19.28 490mm	15.86 403mm	17.86 454mm	20.00 508mm	18.00 457mm	14.00 X 12.00 356mm X 305mm
AM2068RLW	20.00 508mm	16.00 406mm	8.13 207mm	9.21 234mm	17.81 452mm	13.81 351mm	14.54 369mm	20.84 529mm	15.43 392mm	19.43 494mm	21.59 548mm	17.59 447mm	15.00 X 11.00 381mm X 279mm

All dimensions are in inches unless otherwise noted.





Am-R Series JIC Size Junction Boxes: Twist Latch hinged Cover

APPLICATION

- Designed to insulate and house electrical and electronic controls, instruments or components for indoor and outdoor applications
- Especially well suited for high temperature or corrosive environments
- Protects from dirt, dust, oil and water

STANDARDS

- UL Types 1, 2, 3, 4, 4X, 12, and 13
- CSA Types 1, 2, 3, 3R, 4, 4X, 12 and 13
- NEMA Types 1, 2, 3, 3R, 4, 4X, 12 and 13
- IEC 60529 Type IP66
- Compliant with RoHS directive (Restriction of Hazardous Substances)

CONSTRUCTION

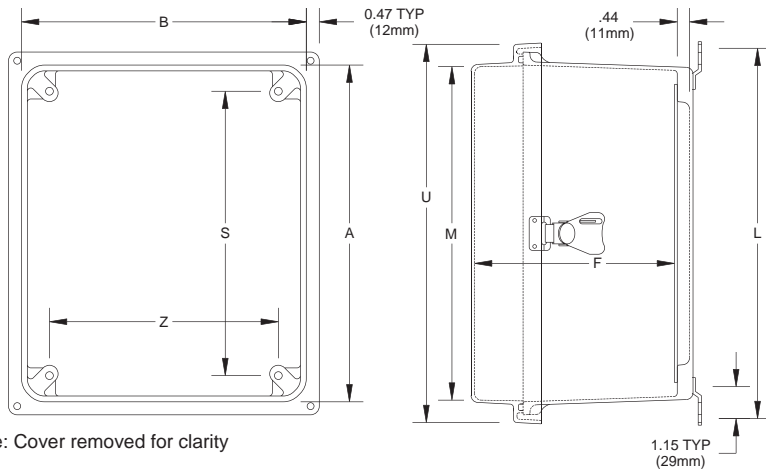
- Strong, molded Ultraguard® fiberglass reinforced polyester material construction with matching raised cover
- 304 stainless steel twist latches feature padlock hasp
- Continuous stainless steel hinge
- Gasket made of closed-cell neoprene cord encased in a continuous channel
- 304 stainless steel wall mounting feet with 10-32 stainless steel screws included
- 10-32 threaded inserts are installed for optional back panel
- JIC sizing
- Ultraguard® fiberglass material is easily punched, drilled or sawed
- UV stabilized for outdoor use

ACCESSORIES

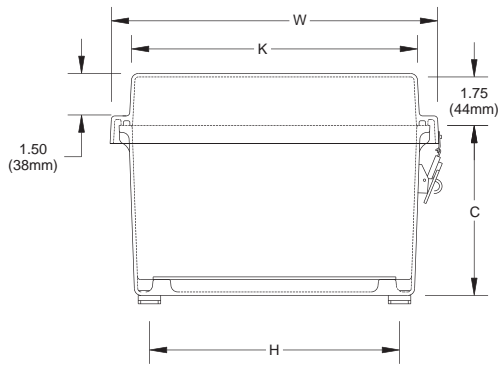
- Optional back panels (See table on pages 100-101.)
- Optional deadfront panel (See table on pages 100-101.)
- Optional thermal management products (See pages 102-103.)

MODIFICATIONS

- Custom size holes and cutouts
- Custom size polycarbonate viewing windows
- Molded-in color matches
- Hinge installed on short side
- EMI/RFI shielding
- Factory-supplied silk screening



Note: Cover removed for clarity



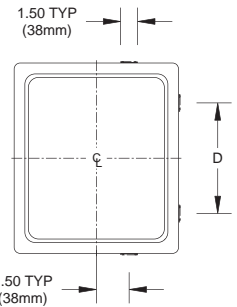
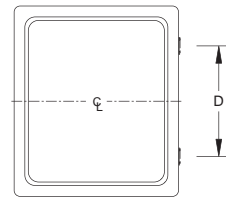
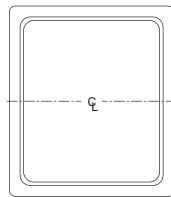
Nominal 1/8" (3mm) wall thickness

LATCH LOCATIONS

For use on
6x6x4
8x6x4
10x8x4
10x8x6

For use on
12x10x6 D=8.00 (203mm)
14x12x6 D=8.54 (217mm)
16x14x8 D=8.54 (217mm)

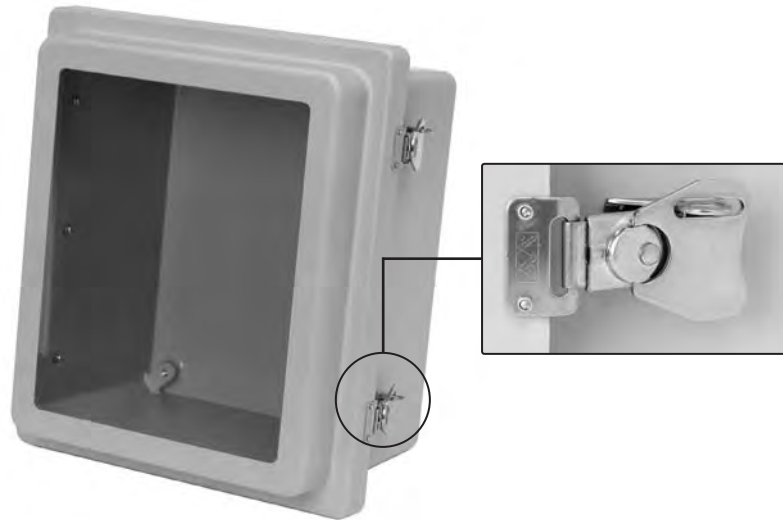
For use on
18x16x8 D=6.50 (165mm)
20x16x8 D=10.52 (267mm)



Part No.	Box Size			Usable Depth	Panel Boss Centers			Foot Mount Centers		Cover Size			
	A	B	C		F	S	Z	H	L	K	M	U	W
AM664RT	6.10 155mm	6.10 155mm	4.18 106mm	5.26 134mm	4.25 108mm	4.25 108mm	5.01 127mm	7.32 186mm	6.08 154mm	6.08 154mm	7.69 195mm	7.69 195mm	
AM864RT	8.00 203mm	6.13 156mm	4.13 105mm	5.21 132mm	6.25 159mm	4.25 108mm	5.01 127mm	9.19 233mm	6.11 155mm	7.98 203mm	9.59 244mm	7.71 196mm	
AM1084RT	10.14 258mm	8.26 210mm	4.13 105mm	5.21 132mm	8.25 210mm	6.25 159mm	7.01 178mm	11.19 284mm	8.44 214mm	10.32 262mm	11.73 298mm	9.85 252mm	
AM1086RT	10.14 258mm	8.26 210mm	6.13 156mm	7.21 183mm	8.25 210mm	6.25 159mm	7.01 178mm	11.19 284mm	8.44 214mm	10.32 262mm	11.73 298mm	9.85 250mm	
AM1206RT	12.14 308mm	10.26 261mm	6.13 156mm	7.21 183mm	10.25 260mm	8.25 210mm	9.01 229mm	13.19 335mm	10.45 265mm	12.32 313mm	13.73 349mm	11.85 301mm	
AM1426RT	14.13 359mm	12.26 311mm	6.13 156mm	7.21 183mm	12.25 311mm	10.25 260mm	11.01 280mm	15.19 386mm	12.45 316mm	14.32 364mm	15.73 400mm	13.85 352mm	
AM1648RT	16.27 413mm	14.40 366mm	8.13 207mm	9.21 234mm	14.25 362mm	12.25 311mm	13.01 330mm	17.19 437mm	13.86 352mm	15.73 400mm	17.87 454mm	15.99 406mm	
AM1868RT	18.40 467mm	16.40 417mm	8.13 207mm	9.21 234mm	16.25 413mm	14.25 362mm	14.97 380mm	19.28 490mm	15.86 403mm	17.86 454mm	20.00 508mm	18.00 457mm	
AM2068RT	20.00 508mm	16.00 406mm	8.13 207mm	9.21 234mm	17.81 452mm	13.81 351mm	14.54 369mm	20.84 529mm	15.43 392mm	19.43 494mm	21.59 548mm	17.59 447mm	

All dimensions are in inches unless otherwise noted.





Am-R Series JIC Size Junction Boxes: Twist Latch hinged Cover with window

APPLICATION

- Designed to insulate and house electrical and electronic controls, instruments or components for indoor and outdoor applications
- Especially well suited for high temperature or corrosive environments
- Protects from dirt, dust, oil and water
- Window unit provides viewing area for instrumentation or equipment

STANDARDS

- UL Types 1, 2, 3, 4, 4X, 12, and 13
- CSA Types 1, 2, 3, 3R, 4, 4X, 12 and 13
- NEMA Types 1, 2, 3, 3R, 4, 4X, 12 and 13
- IEC 60529 Type IP66
- Compliant with RoHS directive (Restriction of Hazardous Substances)

CONSTRUCTION

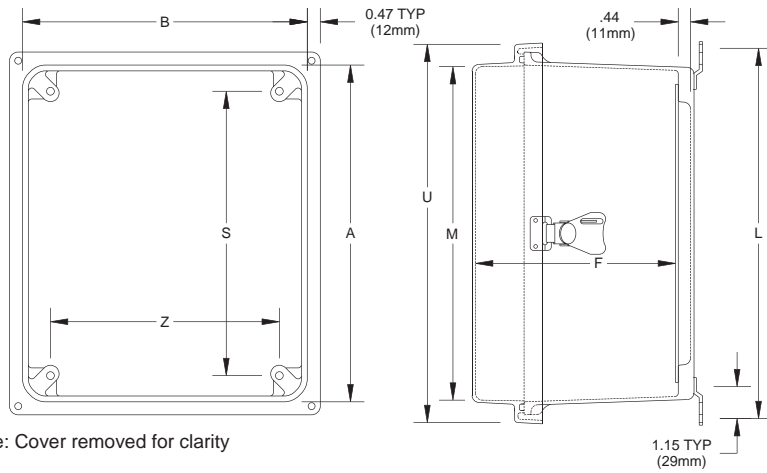
- Strong, molded Ultraguard® fiberglass reinforced polyester material construction with matching raised cover
- UV resistant polycarbonate viewing window
- 304 stainless steel twist latches feature padlock hasp
- Continuous stainless steel hinge
- Gasket made of closed-cell neoprene cord encased in a continuous channel
- 304 stainless steel wall mounting feet with 10-32 stainless steel screws included
- 10-32 threaded inserts are installed for optional back panel
- JIC sizing
- Ultraguard® fiberglass material is easily punched, drilled or sawed
- UV stabilized for outdoor use

ACCESSORIES

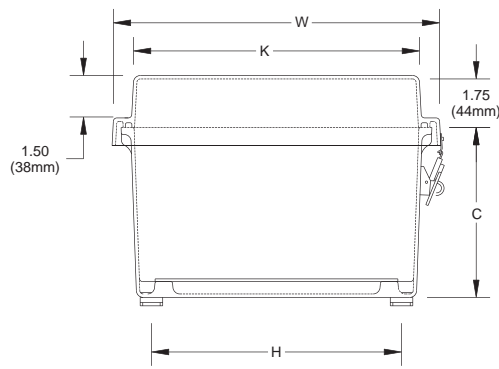
- Optional back panels (See table on pages 100-101.)
- Optional deadfront panel (See table on pages 100-101.)
- Optional thermal management products (See pages 102-103.)

MODIFICATIONS

- Custom size holes and cutouts
- Custom size polycarbonate viewing windows
- Molded-in color matches
- Hinge installed on short side
- EMI/RFI shielding
- Factory-supplied silk screening



Note: Cover removed for clarity



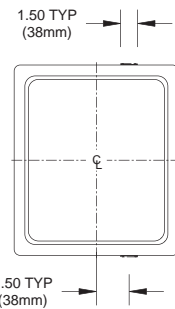
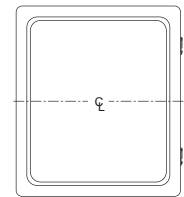
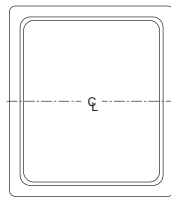
Nominal 1/8" (3mm) wall thickness

LATCH LOCATIONS

For use on
6x6x4
8x6x4
10x8x4
10x8x6

For use on
12x10x6 D=8.00 (203mm)
14x12x6 D=8.54 (217mm)
16x14x8 D=8.54 (217mm)

For use on
18x16x8 D=6.50 (165mm)
20x16x8 D=10.52 (267mm)



AM-R SERIES

Part No.	Box Size			Usable Depth F	Panel Boss Centers		Foot Mount Centers		Cover Size				Window Dimension (height x width)
	A	B	C		S	Z	H	L	K	M	U	W	
AM664RTW	6.10 155mm	6.10 155mm	4.18 106mm	5.26 134mm	4.25 108mm	4.25 108mm	5.01 127mm	7.32 186mm	6.08 154mm	6.08 154mm	7.69 195mm	7.69 195mm	4.25 X 4.25 108mm X 108mm
AM864RTW	8.00 203mm	6.13 156mm	4.13 105mm	5.21 132mm	6.25 159mm	4.25 108mm	5.01 127mm	9.19 233mm	6.11 155mm	7.98 203mm	9.59 244mm	7.71 196mm	6.25 X 4.25 159mm X 108mm
AM1084RTW	10.14 258mm	8.26 210mm	4.13 105mm	5.21 132mm	8.25 210mm	6.25 159mm	7.01 178mm	11.19 284mm	8.44 214mm	10.32 262mm	11.73 298mm	9.85 250mm	8.38 X 6.50 213mm X 159mm
AM1086RTW	10.14 258mm	8.26 210mm	6.13 156mm	7.21 183mm	8.25 210mm	6.25 159mm	7.01 178mm	11.19 284mm	8.44 214mm	10.32 262mm	11.73 298mm	9.85 250mm	8.38 X 6.50 213mm X 159mm
AM1206RTW	12.14 308mm	10.26 261mm	6.13 156mm	7.21 183mm	10.25 260mm	8.25 210mm	9.01 229mm	13.19 335mm	10.45 265mm	12.32 313mm	13.73 349mm	11.85 301mm	10.38 X 8.50 264mm X 216mm
AM1426RTW	14.13 359mm	12.26 311mm	6.13 156mm	7.21 183mm	12.25 311mm	10.25 260mm	11.01 280mm	15.19 386mm	12.45 316mm	14.32 364mm	15.73 400mm	13.85 352mm	12.38 X 10.50 314mm X 267mm
AM1648RTW	16.27 413mm	14.40 366mm	8.13 207mm	9.21 234mm	14.25 362mm	12.25 311mm	13.01 330mm	17.19 437mm	13.86 352mm	15.73 400mm	17.87 454mm	15.99 406mm	13.00 X 11.00 330mm X 279mm
AM1868RTW	18.40 467mm	16.40 417mm	8.13 207mm	9.21 234mm	16.25 413mm	14.25 362mm	14.97 380mm	19.28 490mm	15.86 403mm	17.86 454mm	20.00 508mm	18.00 457mm	14.00 X 12.00 356mm X 305mm
AM2068RTW	20.00 508mm	16.00 406mm	8.13 207mm	9.21 234mm	17.81 452mm	13.81 351mm	14.54 369mm	20.84 529mm	15.43 392mm	19.43 494mm	21.59 548mm	17.59 447mm	15.00 X 11.00 381mm X 279mm

All dimensions are in inches unless otherwise noted.

