



## Am Series Pushbutton Enclosures: Inline Lift-Off Screw Cover

### APPLICATION

- Designed to insulate and house pushbuttons and switches in applications that require a human-machine interface
- Especially well suited for high temperature or corrosive environments
- Protects from dirt, dust, oil and water
- For use with industrial control equipment in ordinary locations

### STANDARDS

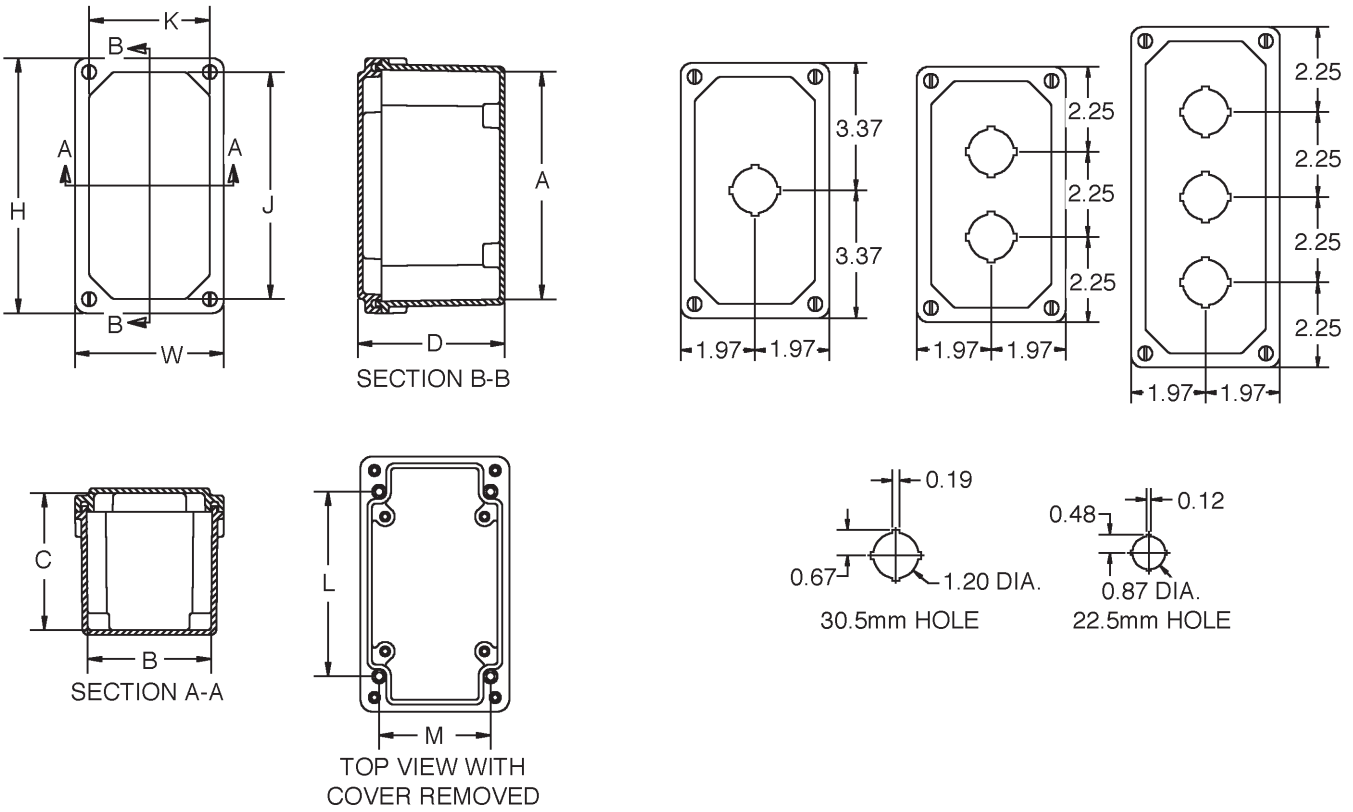
- UL Types 1, 2, 3, 4, 4X, 12, and 13
- CSA Types 1, 2, 3, 3R, 4, 4X, 12 and 13
- NEMA Types 1, 2, 3, 3R, 4, 4X, 12 and 13
- IEC 60529 Type IP66
- Compliant with RoHS directive (Restriction of Hazardous Substances)

### CONSTRUCTION

- Rugged, molded Ultraguard® fiberglass reinforced polyester material construction with reinforced corners
- Available with either 30.5mm or 22.5mm holes
- 304 stainless steel captive cover screws
- "Tongue and groove" type closed-cell neoprene gasket
- Grounding strap included
- UV stabilized for outdoor use

### MODIFICATIONS

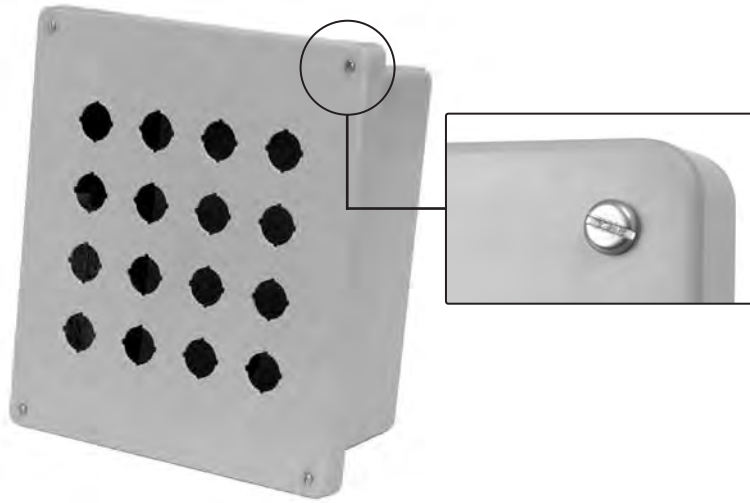
- Molded-in color matches
- EMI/RFI shielding
- Factory-supplied silk screening



Part No.	Overall			Inside			J	K	L	M	Holes	Size
	H	W	D	A	B	C						
AM1PB	6.74 171mm	3.93 100mm	3.88 99mm	6.01 153mm	3.26 83mm	3.63 92mm	6.13 156mm	3.31 84mm	4.88 124mm	2.94 75mm	1 1	1.20 30.5mm
AM1PB22	6.74 171mm	3.93 100mm	3.88 99mm	6.01 153mm	3.26 83mm	3.63 92mm	6.13 156mm	3.31 84mm	4.88 124mm	2.94 75mm	1 1	0.87 22.5mm
AM2PB	6.74 171mm	3.93 100mm	3.88 99mm	6.01 153mm	3.26 83mm	3.63 92mm	6.13 156mm	3.31 84mm	4.88 124mm	2.94 75mm	2 2	1.20 30.5mm
AM2PB22	6.74 171mm	3.93 100mm	3.88 99mm	6.01 153mm	3.26 83mm	3.63 92mm	6.13 156mm	3.31 84mm	4.88 124mm	2.94 75mm	2 2	0.87 22.5mm
AM3PB	8.99 228mm	3.93 100mm	3.88 99mm	8.26 210mm	3.26 83mm	3.63 92mm	8.31 211mm	3.31 84mm	7.13 181mm	2.94 75mm	3 3	1.20 30.5mm
AM3PB22	8.99 228mm	3.93 100mm	3.88 99mm	8.26 210mm	3.26 83mm	3.63 92mm	8.31 211mm	3.31 84mm	7.13 181mm	2.94 75mm	3 3	0.87 22.5mm

All dimensions are in inches unless otherwise noted.





## Am Series Pushbutton Enclosures: multi-hole Lift-Off Screw Cover

### APPLICATION

- Designed to insulate and house pushbuttons and switches in applications that require a human-machine interface
- Especially well suited for high temperature or corrosive environments
- Protects from dirt, dust, oil and water
- For use with industrial control equipment in ordinary locations

### STANDARDS

- UL Types 1, 2, 3, 4, 4X, 12, and 13
- CSA Types 1, 2, 3, 3R, 4, 4X, 12 and 13
- NEMA Types 1, 2, 3, 3R, 4, 4X, 12 and 13
- IEC 60529 Type IP66
- Compliant with RoHS directive (Restriction of Hazardous Substances)

### CONSTRUCTION

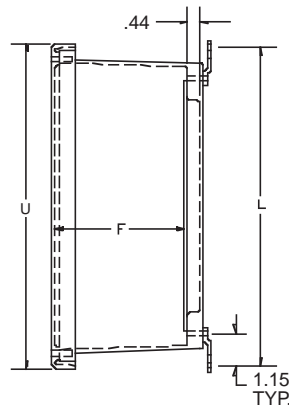
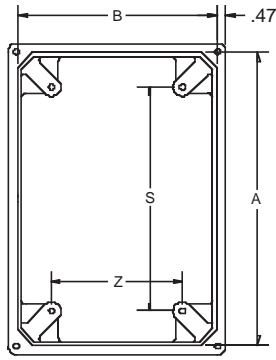
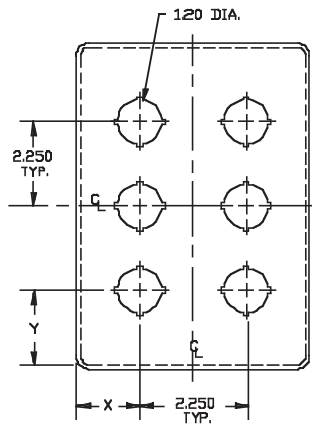
- Constructed to requirements of CSA Enc. 5 based on standard component cutout
- Strong, molded Ultraguard® fiberglass reinforced polyester material construction
- 304 stainless steel captive cover screws
- Gasket made of closed cell neoprene cord encased in a continuous channel
- 304 stainless steel wall mounting feet with 10-32 stainless steel screws included
- 10-32 threaded inserts are installed for optional back panel
- UV stabilized for outdoor use

### ACCESSORIES

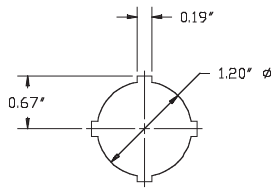
- Optional back panels (See table on pages 100-101.)

### MODIFICATIONS

- Molded-in color matches
- EMI/RFI shielding
- Factory-supplied silk screening
- Optional 22.5mm holes

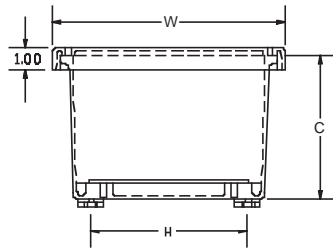


Note: Cover removed for clarity



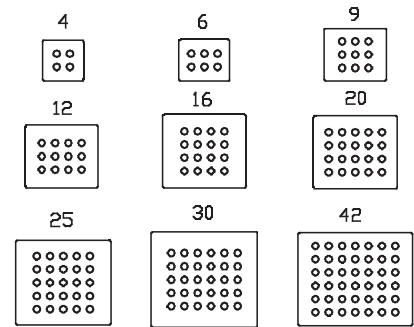
30.5mm HOLE DETAIL  
STANDARD 4-WAY

(Optional 22.5mm holes available)



Nominal 1/8" wall thickness

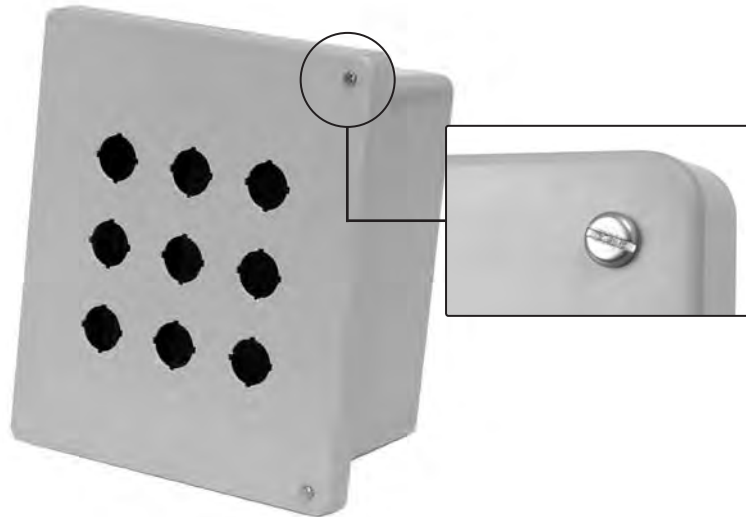
Pushbutton Arrangements



Part No.	Box Size			Usable Depth	Panel Boss Centers			Foot Mount Centers		Cover Size		No. of Holes	X	Y
	A	B	C		F	S	Z	H	L	U	W			
AM664P4	6.10 155mm	6.10 155mm	4.18 106mm	3.76 96mm	4.25 108mm	4.25 108mm	5.01 127mm	7.32 186mm	7.69 195mm	7.69 195mm	4	2.72 69mm	2.72 69mm	
AM864P6	8.00 203mm	6.13 156mm	4.13 105mm	3.68 93mm	6.25 159mm	4.25 108mm	5.01 127mm	9.19 233mm	9.59 244mm	7.71 196mm	6	2.72 69mm	2.55 65mm	
AM1084P9	10.14 258mm	8.26 210mm	4.13 105mm	3.68 93mm	8.25 210mm	6.25 159mm	7.01 178mm	11.19 284mm	11.73 298mm	9.85 250mm	9	2.68 68mm	3.62 92mm	
AM1086P9	10.14 258mm	8.26 210mm	6.13 156mm	5.68 144mm	8.25 210mm	6.25 159mm	7.01 178mm	11.19 284mm	11.73 298mm	9.85 250mm	9	2.68 68mm	3.62 92mm	
AM1086P12	10.14 258mm	8.26 210mm	6.13 156mm	5.68 144mm	8.25 210mm	6.25 159mm	7.01 178mm	11.19 284mm	11.73 298mm	9.85 250mm	12	2.68 68mm	2.49 63mm	
AM1206P16	12.14 308mm	10.26 261mm	6.13 156mm	5.68 144mm	10.25 260mm	8.25 210mm	9.01 229mm	13.19 335mm	13.73 349mm	11.85 301mm	16	2.55 65mm	3.49 89mm	
AM1206P20	12.14 308mm	10.26 261mm	6.13 156mm	5.68 144mm	10.25 260mm	8.25 210mm	9.01 229mm	13.19 335mm	13.73 349mm	11.85 301mm	20	2.55 65mm	2.37 60mm	
AM1426P25	14.13 359mm	12.26 311mm	6.13 156mm	5.68 144mm	12.25 311mm	10.25 260mm	11.01 280mm	15.19 386mm	15.73 400mm	13.85 352mm	25	2.43 62mm	3.37 86mm	
AM1648P30	16.27 413mm	14.40 366mm	8.13 207mm	7.68 195mm	14.25 362mm	12.25 311mm	13.01 330mm	17.19 437mm	17.87 454mm	15.99 406mm	30	3.50 89mm	3.31 84mm	
AM1868P42	18.4 467mm	16.40 417mm	8.13 207mm	7.68 195mm	16.25 413mm	14.25 362mm	14.97 380mm	19.28 490mm	20.00 508mm	18.00 457mm	42	3.38 86mm	3.25 83mm	

All dimensions are in inches unless otherwise noted.





## Am Series Pushbutton Enclosures: multi-hole hinged Screw Cover

### APPLICATION

- Designed to insulate and house pushbuttons and switches in applications that require a human-machine interface
- Especially well suited for high temperature or corrosive environments
- Protects from dirt, dust, oil and water
- For use with industrial control equipment in ordinary locations

### STANDARDS

- UL Types 1, 2, 3, 4, 4X, 12, and 13
- CSA Types 1, 2, 3, 3R, 4, 4X, 12 and 13
- NEMA Types 1, 2, 3, 3R, 4, 4X, 12 and 13
- IEC 60529 Type IP66
- Compliant with RoHS directive (Restriction of Hazardous Substances)

### CONSTRUCTION

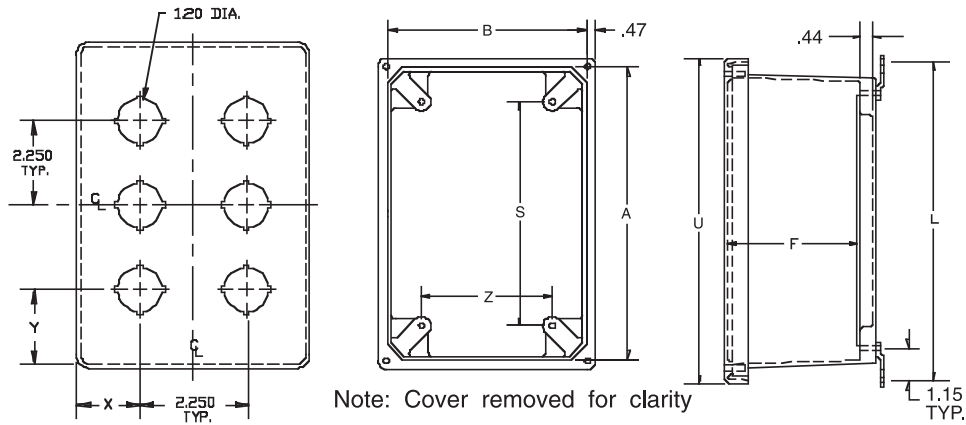
- Constructed to requirements of CSA Enc. 5 based on standard component cutout
- Strong, molded Ultraguard® fiberglass reinforced polyester material construction
- 304 stainless steel captive cover screws
- Continuous stainless steel hinge
- Gasket made of closed cell neoprene cord encased in a continuous channel
- 304 stainless steel wall mounting feet with 10-32 stainless steel screws included
- 10-32 threaded inserts are installed for optional back panel
- UV stabilized for outdoor use

### ACCESSORIES

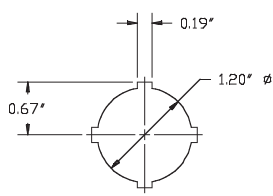
- Optional back panels (See table on pages 100-101.)

### MODIFICATIONS

- Molded-in color matches
- EMI/RFI shielding
- Factory-supplied silk screening
- Optional 22.5mm holes

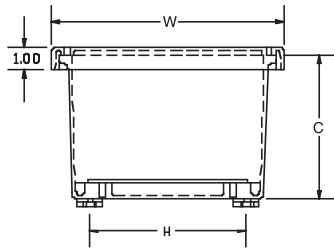


Note: Cover removed for clarity



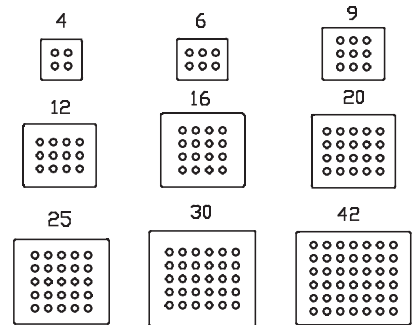
30.5mm HOLE DETAIL  
STANDARD 4-WAY

(Optional 22.5mm holes available)



Nominal 1/8" wall thickness

Pushbutton Arrangements



Part No.	Box Size			Usable Depth	Panel Boss Centers			Foot Mount Centers		Cover Size		No. of Holes	X	Y
	A	B	C		F	S	Z	H	L	U	W			
AM664HP4	6.10 155mm	6.10 155mm	4.18 106mm	3.76 96mm	4.25 108mm	4.25 108mm	5.01 127mm	7.32 186mm	7.69 195mm	7.69 195mm	4	2.72 69mm	2.72 69mm	
AM864HP6	8.00 203mm	6.13 156mm	4.13 105mm	3.68 93mm	6.25 159mm	4.25 108mm	5.01 127mm	9.19 233mm	9.59 244mm	7.71 196mm	6	2.72 69mm	2.55 65mm	
AM1084HP9	10.14 258mm	8.26 210mm	4.13 105mm	3.68 93mm	8.25 210mm	6.25 159mm	7.01 178mm	11.19 284mm	11.73 298mm	9.85 250mm	9	2.68 68mm	3.62 92mm	
AM1086HP9	10.14 258mm	8.26 210mm	6.13 156mm	5.68 144mm	8.25 210mm	6.25 159mm	7.01 178mm	11.19 284mm	11.73 298mm	9.85 250mm	9	2.68 68mm	3.62 92mm	
AM1086HP12	10.14 258mm	8.26 210mm	6.13 156mm	5.68 144mm	8.25 210mm	6.25 159mm	7.01 178mm	11.19 284mm	11.73 298mm	9.85 250mm	12	2.68 68mm	2.49 63mm	
AM1206HP16	12.14 308mm	10.26 261mm	6.13 156mm	5.68 144mm	10.25 260mm	8.25 210mm	9.01 229mm	13.19 335mm	13.73 349mm	11.85 301mm	16	2.55 65mm	3.49 89mm	
AM1206HP20	12.14 308mm	10.26 261mm	6.13 156mm	5.68 144mm	10.25 260mm	8.25 210mm	9.01 229mm	13.19 335mm	13.73 349mm	11.85 301mm	20	2.55 65mm	2.37 60mm	
AM1426HP25	14.13 359mm	12.26 311mm	6.13 156mm	5.68 144mm	12.25 311mm	10.25 260mm	11.01 280mm	15.19 386mm	15.73 400mm	13.85 352mm	25	2.43 62mm	3.37 86mm	
AM1648HP30	16.27 413mm	14.40 366mm	8.13 207mm	7.68 195mm	14.25 362mm	12.25 311mm	13.01 330mm	17.19 437mm	17.87 454mm	15.99 406mm	30	3.50 89mm	3.31 84mm	
AM1868HP42	18.40 467mm	16.40 417mm	8.13 207mm	7.68 195mm	16.25 413mm	14.25 362mm	14.97 380mm	19.28 490mm	20.00 508mm	18.00 457mm	42	3.38 86mm	3.25 83mm	

All dimensions are in inches unless otherwise noted.

